



Operating manual

Ruby



AUSTROFLAMM

www.austroflamm.com

Operating manual

13/02/2025

Version: 2.0

LEGAL NOTICES

Owner and publisher

AUSTROFLAMM GMBH

Austroflamm-Platz 1

A- 4631 Krenglbach

Tel: +43 (0) 7249 / 46 443

www.austroflamm.com

info@austroflamm.com

Edited by: Austroflamm GmbH

Illustrations: Konstruktion

Text: Technical department (Austroflamm)

Copyright

All Rights reserved. The contents of these instructions may be reproduced or distributed only with the consent of the publisher! Printing, spelling and typographical errors reserved.

The information in this document is subject to change without prior notice and should not be construed as a commitment by Austroflamm GmbH. Austroflamm GmbH assumes no responsibility for any errors that may appear in this document.

Contents

1	General information	6
1.1	Copyright.....	6
1.2	Information about the document	6
2	Purpose of the manual	7
2.1	Storing the manual	7
2.2	Structure of the manual.....	7
2.3	Representations used.....	7
2.4	Version control.....	8
2.5	Abbreviations	8
3	Safety	9
3.1	Importance of the safety instructions	9
3.2	General safety instructions	9
3.3	Special types of danger and personal protective equipment	11
4	Product overview	12
4.1	Intended use	12
4.2	Identification of the product.....	12
4.2.1	Dimensions.....	12
4.2.2	Positioning of the nameplate	13
4.3	Energy label.....	13
5	Technical data	14
5.1	Technical data under Directive (EU) 2015/1185 and del. as per Regulation (EN) 2015/1186 .	14
5.2	General specifications.....	17
6	Transport, handling and storage	18
6.1	Transportation.....	18
6.2	Transport brackets.....	18
6.3	Transport aid	18
6.4	Storage.....	19
7	Requirements at the installation location	20
7.1	Safety distances to be observed.....	20
7.2	Requirements at the room of installation	21
7.3	Chimney requirements	21
7.4	Combustion air / Outside air supply	21
8	Fuel material/-quantity	22
8.1	Fuel material.....	22
8.2	Fuel quantity.....	22
9	Installation	23
9.1	Procedure	24
9.1.1	Mounting the Keramott.....	24
9.1.2	Installing the PGI (available only for France).....	24
9.1.3	Mounting and configuring the air distribution module	27
9.1.4	Mounting the ceramic cladding.....	34
9.1.5	Mounting the steel cladding	39

9.1.6	Mounting the WiRCU-BOX (WLAN)	42
10	Installation	74
11	Operation.....	75
11.1	Requirements for operation	75
11.2	Operating modes	76
11.2.1	Pellet operation.....	76
12	Commissioning	77
12.1	First start-up.....	77
12.1.1	Setting time and date	78
12.1.2	Setting the fuel quality	78
12.1.3	Statistics function	78
12.1.4	Timer function (heating times).....	78
12.1.5	Service due.....	79
12.1.6	Setting modulation / ECO mode.....	79
13	Operation.....	80
13.1	Operation using APP and Smartphone	80
13.2	Operation using IR remote control	81
13.3	Operation using touch display.....	82
13.3.1	Display - room temperature display, various functions	82
13.3.2	Display - heat output display, other function menus	82
13.3.3	Display - status display.....	83
13.4	Functions	83
13.4.1	Function - filling level indicator.....	83
13.4.2	Function - setting timers and heating times.....	83
13.5	Setting / editing new heating times	84
14	Adjustments.....	85
14.1	Display - settings.....	85
14.2	Menu item - time/date	86
14.3	Menu item - fuel	86
14.4	Menu item - Bluetooth devices	86
14.5	Menu item - eco-mode	87
14.6	Menu item - external thermostat	87
14.7	Menu item - anti-frost.....	88
14.8	Menu item - display options.....	88
14.9	Menu item - temperature unit.....	89
14.10	Menu item - volume.....	89
14.11	Menu item - manual pellet feed.....	89
14.12	Menu item - service due	90
14.13	Menu item - service menu	90
14.14	Menu item - display lock.....	90
14.15	Menu item - Language.....	90
14.16	Menu item - Info.....	90
14.17	Menu item - Heating statistics	91
14.18	Menu item - tips	91
14.19	Adjusting the firebox door	91

15	Maintenance	93
15.1	Intervals.....	93
15.2	Changing the storage battery.....	93
15.3	Service due.....	94
16	Cleaning	95
16.1	Cleaning the pellet stove, flue gas paths and flue pipe.....	95
16.2	Stove models with automatic riddling grate.....	95
16.3	Cleaning the exhaust gas pipes.....	96
16.4	Cleaning the door window.....	100
16.5	Cleaning surfaces.....	100
17	Help	101
17.1	List of alarms and errors.....	101
17.2	Resetting alarm and error messages.....	103
17.3	Safety temperature limiter.....	104
17.4	Firebox lining.....	104
17.5	What to do in the event of a chimney fire.....	104
17.6	What to do in the event of faults.....	104
18	Electrical connection diagram	105
19	Dismantling	106
19.1	Detaching the decorative glass.....	106
20	Accessories	108
21	Spare parts	109
22	Disposal	110
23	Warranty and guarantee	112
24	Start-up log	113
25	Service Report	114

1 General information

You have decided in favour of an Austroflamm pellet stove.

Congratulations on your decision and thank you for your trust.

Correct operation and care are essential for trouble-free operation and long service life.

The information in this manual is of a general nature. National and European standards, local and building regulations, together with fire regulations must also be complied with.

Read this instruction through carefully before installation and operation. No liability or warranty claims apply for damage incurred by failure to follow this manual. Please observe the instructions in the individual sections.

This manual is a component part of the pellet stove.

In the following list we give you an overview of which sections are important for whom:

Dealer	End customer
Complete operating manual	General information
	Purpose of the manual
	Safety
	Product overview
	Technical data
	Requirements at the installation location
	Fuel material/-quantity
	Operation
	Operation
	Settings
	Commissioning
	Maintenance
	Alarms and error messages
	Spare parts
	Disposal
	Warranty and guarantee
	Data processing
	Start-up log
Service Report	

1.1 Copyright

All Rights reserved. The contents of these instructions may be reproduced or distributed only with the consent of the publisher! Printing, spelling and typographical errors reserved.

1.2 Information about the document

The information in this document is subject to change without prior notice and should not be construed as a commitment by Austroflamm GmbH. Austroflamm GmbH assumes no responsibility for any errors that may appear in this document.

2 Purpose of the manual

This manual is a component part of the pellet stove and is intended to contribute to the pellet stove being safely installed and maintained.

TIP

Please read this manual before using the stove for the first time.

2.1 Storing the manual

Store this manual in case you need it. A current version of the manual can be found online at our homepage www.austroflamm.com.

2.2 Structure of the manual

The table of contents can be found on page 3.

Illustrations in this manual may differ from the delivered product.

2.3 Representations used

The following representations are used in this manual:

Steps with mandatory adherence to the sequence

✓ Prerequisite

1) Step 1

2) Step 2

3)

⇒ Intermediate result / additional information

⇒ Result

Steps and bullet points without mandatory sequence

•

•

-

-

Cross-references

See Technical Data

Useful tips

TIP

Fuel

Use only the recommended fuel!

2.4 Version control

We update our manuals on a continual basis. The current version can be found at our homepage www.austroflamm.com.

This manual applies to all Ruby pellet stoves with the article number 808101 and index b and newer.

2.5 Abbreviations

Abbreviation	Meaning
HMS	Heat Memory System
LVM	Air distribution module

3 Safety

In this manual we give you numerous safety instructions for the safe operation of your pellet stove. These instructions are characterized differently as follows, depending on their importance:

3.1 Importance of the safety instructions

NOTICE

Particular behaviour and/or activities that are required for safe working. Failure to follow this can result in material damage.

⚠ CAUTION

Possible dangerous situation (light or minor injuries and material damage).

⚠ WARNING

Possibly imminent danger to life and health of persons (severe injuries or death).

⚠ DANGER

Immediately imminent danger to life and health of persons (severe injuries or death).

3.2 General safety instructions

- The information in this manual represents generally applicable standards and rules. For the installation/operation of the pellet stove, all local regulations including those that relate to national and European standards, as well as emergency service regulations, must be complied with.
- Please carefully store this manual and ensure that it is always available.
- Servicing falls due after a number of hours specific to the appliance has been reached, but at least 1x annually in order to GUARANTEE THE WARRANTY!
- Compliance with the instructions contained here will guarantee the safety of people and the appliance, economic operation and a long service life. The pellet stove has been designed based on technical data standards. See section "Technical Data".
- Original parts must not be modified or exchanged for parts from other manufacturers. Unauthorised modifications must not be carried out. Such action will void the warranty claim.
- Repairs to your pellet stove must only be carried out by technical personnel who have been trained by the manufacturer.
- When working or intervening on the pellet stove, the power supply must be switched off.
- Diagrams and drawings supplied with the stove are used only as illustrative examples; the manufacturer pursues a policy of constantly developing and updating the product and may make modifications without prior notification.
- All dimensions in this manual are given in mm.
- Your pellet stove is not suitable for use as a ladder or a stand.
- Please note that the surfaces of the pellet stove heat up considerably during operation. We recommend that you use the protective glove supplied to operate the pellet stove.




- Please alert children to these dangers, and keep them away from the pellet stove when it is operating.
- Placing non-heat-resistant objects on the stove or in its vicinity is forbidden.
- Do not place any items of laundry on the pellet stove to dry. Even laundry racks or the like must be placed at a sufficient distance from the hybrid stove - fire risk!
- While your pellet stove is in operation, it is forbidden to process highly flammable or explosive substances in the same room or in adjoining rooms.
- It must be ensured that there is a sufficient supply of combustion air and safe removal of exhaust gases. Therefore, always check whether the chimney is blocked, especially after a long break in operation.
- Fire gases caused by blocked chimneys are dangerous. The chimney and the vent pipe must be free of obstructions and be swept according to instructions.
- In the transition period, i.e. during high external temperatures, a sudden temperature rise can disrupt the chimney draft so that the fuel gases are not completely drawn off. Should this be the case, switch off the pellet stove.
- The convection air grille must never be closed, not even partially.
- Venting systems that are being operated together with the fireplace in the same room or group of rooms may cause problems.
- The pellet stove must be regularly cleaned and maintained: see Maintenance section and Cleaning section.
- Exchange spare parts depending on requirement and condition. Regularly check the electrical and electronic components for damage or wear.
- Safety features must not be bypassed.
- If fuel used is incorrect or too moist, then due to deposits in the chimney this may lead to a chimney fire. Immediately close all ventilator openings on the chimney and inform the fire service. After the chimney has burned out, have it checked by an expert for cracks and leaks.
- Under certain conditions, pellet stove appliances are suitable also for multiple occupancy of chimneys. Your master chimney sweep will inform you of these conditions and carry out the appropriate acceptance.
- Please note that the room in which the stove is installed must have at least one door / one window leading to the outside, or be directly connected to such a room. Other heating appliances and extractor bonnets must not be operated together with these heating appliances as part of the room air system.
- Operation is only permitted with the door closed, the ash pan (if present) locked and the hopper lid closed, except when igniting, when topping up with fuel and removing combustion deposits, in order to prevent heating gas from escaping.
- The door and all the pellet stove's control devices must be closed when the stove is not in operation.
- The installation surface for the pellet stove must have an appropriate load-bearing capacity. If an existing design does not fulfil this condition, suitable measures (e.g. a plate for distribution of the load) must be taken to meet it.
- This manual must be carefully read through before the installation, use or any intervention on the pellet stove.
- The pellet stove is not an incinerator. Waste material (of any kind), liquid fuels, non-recommended fuels or waste products must **NOT** be burnt in the pellet stove.
- Protective gloves must always be worn when modifying or moving the appliance. Example: assembling, disassembling, repairing, attaching accessories, etc.
- Sharp edges may be created during or after the installation of accessory parts. Please use suitable grinding or cutting tools to remove these sharp edges.
- Do not disable, block up or close combustion air openings.
- For cleaning the pellet stove, the connecting piece and the chimney, access must be provided.

- Never use petrol, petroleum-like lamp oils, petroleum, barbecue lighters, ethyl alcohol or similar liquids to ignite or "reignite" a fire in the pellet stove. All such liquids are to be kept away from the space heater when it is in operation.
- Use pellets with a diameter of 6mm.
- Caution - varnish is not an anti-rust protection!
- Only approved transport aids with sufficient load-bearing capacity may be used for transport.
- Burn only the fuel combustible listed and approved in the Fuel section.
- It is strictly forbidden to burn or introduce highly flammable or explosive substances (empty aerosols and the like) into the firebox or to store them in the immediate vicinity of your pellet stove. Risk of explosion!
- Warning: radiation, in particular via glass surfaces, can set combustible objects in the vicinity of the appliance on fire. Observe the specifications in the Safety distances section.
- During the first 3-4 hours at nominal heat output, odors may develop. The odors are caused by the evaporation of sheet metal greases and binding agents from the varnishing. Although unpleasant, these fumes are completely non-toxic. We therefore recommend that you well ventilate the room for the first few fires.
- During the heat up and cooling down processes your pellet stove may expand and contract, which sometimes can cause light stretching or popping noises. This is a natural process and does not signify errors which need to be complained about.
- The pellet stove is not suitable as central or sole heating.
- The pellet stove is intended for heating a single room.

3.3 Special types of danger and personal protective equipment

For certain activities such as installation/dismantling, particular care must be taken that the following safety equipment is worn:

	Safety gloves
	Safety shoes

4 Product overview

4.1 Intended use

Compliance with the instructions contained here will guarantee the safety of people and the appliance, economic operation and a long service life. The pellet stove has been designed based on technical data standards. See section "Technical Data".

NOTICE

Operation is only permitted with the door shut, ash pan locked and hopper lid closed.

4.2 Identification of the product

In the following illustrations we will inform you of dimensions and the nameplate positioning.

4.2.1 Dimensions

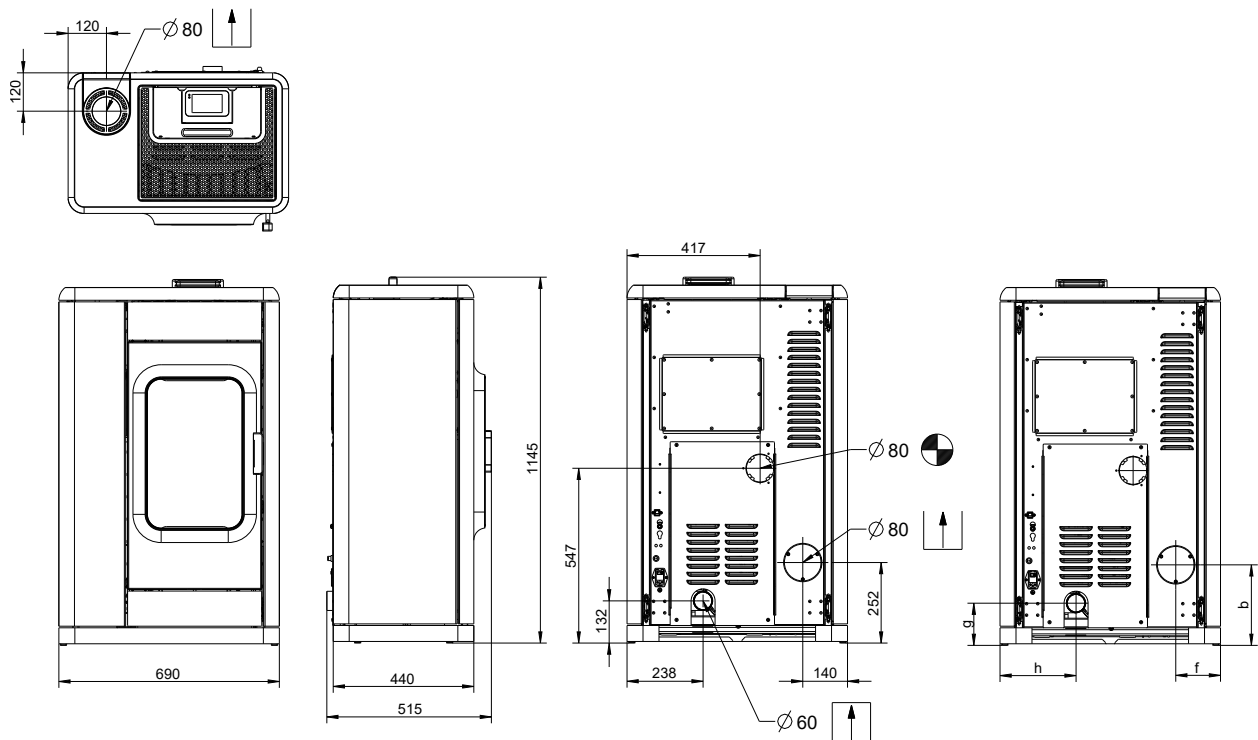
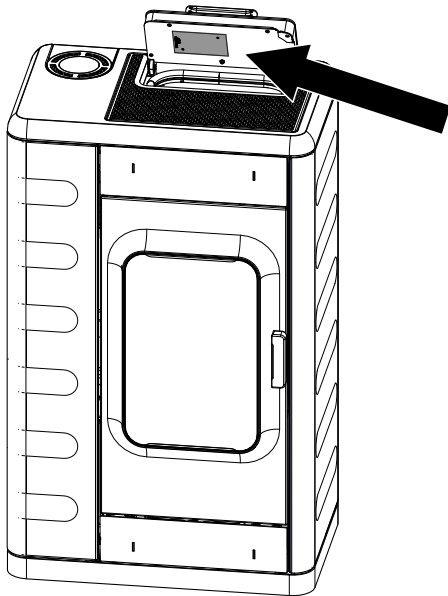


Fig. 1: Ruby dimensions

4.2.2 Positioning of the nameplate

Here we show where you can find the type plate. You received a copy of the nameplate with the pellet stove. You can find a copy of the nameplate of your pellet stove on the back of the manual that you received with the stove.



The nameplate of your pellet stove is located on the inside of the hopper lid.

Fig. 2: Type plate

4.3 Energy label

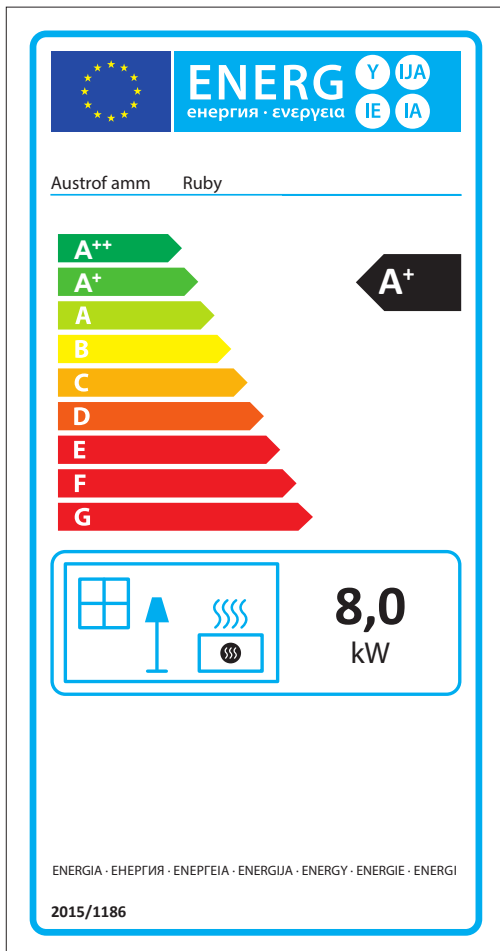


Fig. 3: Ruby energy label

5 Technical data

5.1 Technical data under Directive (EU) 2015/1185 and del. as per Regulation (EN) 2015/1186

Contact details for the manufacturer or their authorised representative

Manufacturer:	Austroflamm GmbH
Contact:	-
Address:	Austroflamm-Platz 1
	4631 Krenglbach
	Austria

Appliance details

Model identification(s):	Ruby
Equivalent models:	-
Test reports:	1880/1880-CPR-032-20-rev.03
Applied harmonized standards:	EN 14785:2006
Other standards/technical specifications. Specifications:	-
Indirect heat output	No
Direct heat output:	8.0 kW
Indirect heat output ¹ :	-

Properties for operation with the preferred fuel

Space heating annual use efficiency η_s :	87.6 %
Energy efficiency index (EEI):	128

Particular precautions for assembly, installation or maintenance

Described in the individual sections of the operating manual.

Fuel	Preferred fuel (only one) ² :	Other suitable fuel(s) ³ :	η_s [x%]:	Space heating emissions at nominal heating efficiency (*)				Space heating emissions at minimum heat output ⁴ (*) (**)			
				PM	OGC	CO	NOx	PM	OGC	CO	NOx
				[x] mg/Nm ³ (13% O ₂) ⁵				[x] mg/Nm ³ (13% O ₂) ⁶			
Log, moisture content ≤ 25 %	no	no	-	-	-	-	-	-	-	-	-
Compregnated laminated wood, moisture content < 12 %	yes	no	87.6	19	1	11	123				
Other woody biomass	no	no									
Non-woody biomass	no	no	-	-	-	-	-	-	-	-	-
Anthracite and dry steam coal	no	no	-	-	-	-	-	-	-	-	-
Coking coal	no	no	-	-	-	-	-	-	-	-	-
Semi-coke	no	no	-	-	-	-	-	-	-	-	-
Bituminous coal	no	no	-	-	-	-	-	-	-	-	-
Lignite briquettes	no	no	-	-	-	-	-	-	-	-	-
Peat briquettes	no	no	-	-	-	-	-	-	-	-	-
Briquettes made from a mixture of fossil fuels	no	no	-	-	-	-	-	-	-	-	-
Other fossil fuels	no	no	-	-	-	-	-	-	-	-	-
Briquettes made from mixture of biomass and fossil fuels	no	no	-	-	-	-	-	-	-	-	-
Other mixture made of biomass and solid fuels	no	no	-	-	-	-	-	-	-	-	-

(*) PM = dust, OGC = organic gaseous connections, CO = carbon monoxide, NOx = nitrogen oxide

(**) Only required when using correction factors F(2) or F(3).

Properties for exclusive operation with the preferred fuels⁷

Specification	Symbol	Value	Unit	Specification	Symbol	Value	Unit	
Heat output				Thermal efficiency (fuel efficiency) (based on the NCV)				
Nominal heat efficiency	P _{nom}	8.0	kW	Thermal efficiency (fuel efficiency) at nominal heat efficiency	η _{th,nom}	90	%	
Minimum heat output (standard value)	P _{min}	2.3	kW	Thermal efficiency (fuel efficiency) at minimum heat output (standard value)	η _{th,min}	90	%	
Auxiliary power consumption				Type of heat output/room temperature control				
At nominal heat efficiency	e _{lmax}	0.013	kW	single-level heat output, no room temperature control			no	
At minimum heat output	e _{lmin}	0.010	kW	two or more manually adjustable levels, no room temperature control			no	
In standby condition	e _{lSB}	0.002	kW	room temperature control with mechanical thermostat			no	
Pilot flame power requirement				with electronic room temperature control				
Pilot flame power requirement (if present)	P _{pilot}	n.A	kW	with electronic room temperature control and day-time regulation			no	
				with electronic room temperature control and weekday regulation				
				Other regulation options (multiple selections possible)				
				room temperature control with presence detection				no
				room temperature control with open window detection				no
				with remote control option				yes

¹ There is no entry for fireplaces without water-carrying components.

² Values for annual use efficiency and emissions must be given here for the preferred fuel.

³ Values for annual use efficiency and emissions must be given here for all other suitable fuels.

⁴ Corresponds to partial load heat output as per EN 16510

⁵ Specification in mg/m³ for heated filter method (in compliance with Annexe III, number 4, letter a, section i, point 1) or g/kg for measurement in dilution tunnel (in compliance with Annexe III, number 4, letter a, section i, point 2 and 3.)

⁶ Specification mg/m³ for heated filter method (in compliance with Annexe III, number 4, letter a, section i, point 1) or g/kg for measurement in dilution tunnel (in compliance with Annexe III, number 4, letter a, section i, point 2 and 3.)

⁷ Specifications must be made here for the preferred fuel only.

5.2 General specifications

Dimensions and weight	
Height [mm]	1120
Width [mm]	690
Depth [mm]	495
Combustion chamber width [mm]	-
Combustion chamber height [mm]	-
Combustion chamber depth [mm]	-
Flue pipe outlet, diameter [mm]	80
Outside air connection diameter [Ø mm]	60
Weight, basic appliance [kg]	170
Weight Xtra [kg]	-
Weight, HMS [kg]	-
Total weight inc. steel case (STM) [kg]	200
Total weight inc. ceramic case (KGM) [kg]	228
Total weight inc. soapstone case (SPM) [kg]	-
b: Height of flue pipe connection, centre rear (as per diagram) [mm]	252
f: Flue pipe connection from right (as per diagram) [mm]	140
g: Height of external air connection, centre (as per diagram) [mm]	132
h: External air connection from left (as per diagram) [mm]	238
dP Radiation front [mm]	750
dS1 Distance left [mm]	50
dR Distance rear [mm]	50
dS2 Distance right [mm]	50
dB Distance bottom [mm]	0
Minimum distance from non-flammable materials [mm]	50
Output	
Nominal heat efficiency [kW]	8.0
Minimum heat output [kW]	2.3
Maximum heat output [kW]	8.0
Minimum room heating capacity [m ³]	98
Maximum room heating capacity [m ³]	255
Pellet hopper capacity [kg/l]	≈ 25/38
Minimum fuel throughput [kg/h]	0.6
Maximum fuel throughput [kg/h]	1.87
Burning time, minimum [h]	13
Burning time, maximum [h]	42
Power connection [V/Hz]	230 / 50
Equipment	
Room temperature sensor	standard
Weekly timer	standard
Automatic drop grate	standard
Ash removal	Riddling grate
Balanced flue - DiBt (German Institute for Structural Engineering)	Yes
WLAN module	Accessories
Remote control	Accessories
Air distribution module	Accessories

6 Transport, handling and storage

6.1 Transportation



Fig. 4: Crate

Every Austroflamm pellet stove is packed for protection and environmental friendliness.

The packaging consists of

- pallet,
- crate and
- protective film.

The packaging consists of untreated local wood or materials.

Use a lifting truck or forklift to transport the crate including the pellet stove.

- 1) The pellet stove is secured with cable binders to the side struts of the crate. These cable binders must be removed.
- 2) The crate is dismantled by the removal of the 4 screws which connect the bottom of the crate to the pallet.
- 3) The loose wooden crate must be removed from the pellet stove.
- 4) Undo the pellet stove from the pallet. To do so, screws must be unscrewed.
- 5) The air cushion / transport protection for the Keramik etc. in the firebox must be removed.
- 6) Immediately check the goods delivered for completeness and damage in transit.
- 7) Check the accessory kit: glove, guide, mains cable, information sheets etc. The accessory kit is in the tank container.
- 8) Before installing the pellet stove, check that all movable parts are working. Any defects must be reported before installing the pellet stove.

6.2 Transport brackets

In order to ensure safe transport of the pellet stoves, they are delivered with transport brackets. Please make sure to remove the transport brackets before installing the pellet stove. The brackets are located on the bottom of the pellet stove.

6.3 Transport aid

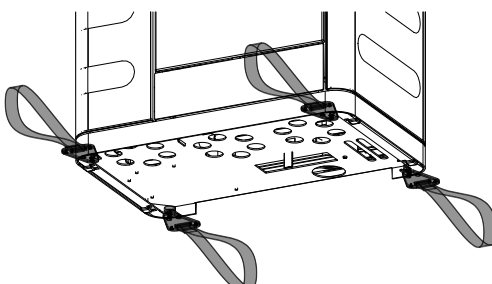


Fig. 5: Transport aid

Only approved transport aids with sufficient load-bearing capacity may be used for transport. These must be removed before installation.

6.4 Storage

The pallet stove must be stored in a dry room/warehouse. Protect against dirt, heat and moisture.

The following illustrations are attached to the crate and must be observed:



- Fragile - always place upright - protect against moisture and store dry.
- Remove and dispose of packing material in an environmentally friendly manner.
- The crate can be disposed of in the separate collection for packaging. Local disposal regulations must be observed.

7 Requirements at the installation location

7.1 Safety distances to be observed

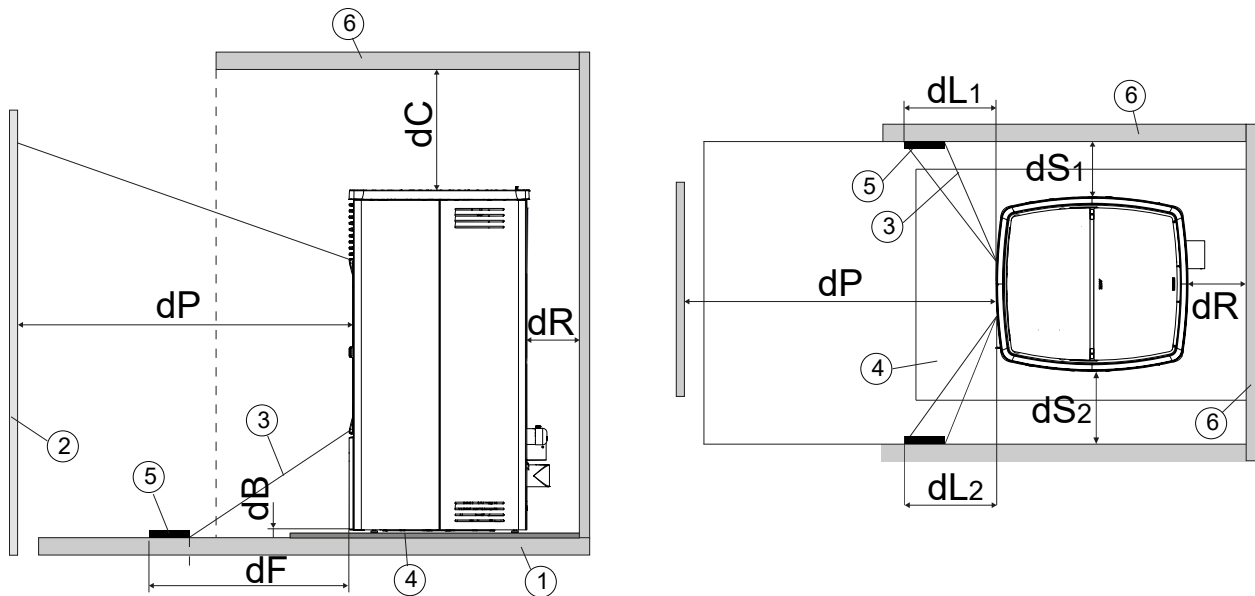
If your floor is made of a combustible material, a non-combustible material must be used as protection in the area in front of the appliance. For more detailed information, please contact an Austroflamm dealer.

NOTICE

A floor protection plate must be used if your floor is made from a combustible material.

Safety distances for combustible objects, such as wooden furniture, upholstered furniture, sofas, etc. must be complied with. In the case of very heat-sensitive objects the distance from the pellet stove must be increased in order to avoid damage from the heat.

Please refer to the table below for the necessary safety distances.



- | | |
|-----------------------------------|--|
| 1 Floor | 2 Combustible materials in front |
| 3 Irradiated area | 4 Floor protection plate |
| 5 Irradiated area to be protected | 6 Area of combustible materials area front/
side/back |

dP Radiation front [mm]	750
dS1 Distance left [mm]	50
dR Distance rear [mm]	50
dS2 Distance right [mm]	50
dB Distance bottom [mm]	0
dF Radiation to the floor [mm]	under examination
dL 1 Radiation left [mm]	under examination
dL 2 Radiation right [mm]	under examination
dC Distance above [mm]	750
Minimum distance from non-flammable materials [mm]	50

7.2 Requirements at the room of installation

Your pellet stove must not be set up in:

- spaces in which the required combustion air supply is not guaranteed.
- spaces which are generally accessible, in particular emergency exits (staircases in residential building with no more than 2 apartments are not included in general accessible spaces).
- spaces in which easily flammable or potentially explosive substances or mixtures are processed, stored or manufactured.
- spaces, apartments or units from which air is extracted with the aid of ventilators, such as ventilation- or hot-air heating installations, extractor hoods or exhaust air tumble dryers. Unless the safe function of the pellet stove is ensured. This is guaranteed if:
 - the systems only circulate air within a space.
 - the systems have safety features which autonomously and reliably prevent negative pressure in the installation space.
 - simultaneous operation of the fireplace and the air-extracting system is prevented by safety features.
 - the flue gas routing is monitored by a particular piece of safety equipment.

Floor load-bearing capacity

Before installing, verify whether the load-bearing capacity of the substructure can withstand the weight of your pellet stove.

- The installation surface for the pellet stove must have an appropriate load-bearing capacity. If an existing design does not fulfil this condition, suitable measures (e.g. a plate for distribution of the load) must be taken to meet it.

7.3 Chimney requirements

When connecting the flue pipes to the chimney, national and/or local safety regulations must be complied with. Your Austroflamm pellet stove is fitted at the factory with a flue pipe outlet at the top (see chapter Technical data). When connecting with other pipe diameters the approval of your responsible chimney sweep is required. The flue pipe connection and flue pipe transitions must be sealed accordingly. Your Austroflamm specialist dealer knows the guidelines and will be happy to advise you. For your own safety the connection of the flue pipe must be carried out by a technically competent person.

7.4 Combustion air / Outside air supply

This pellet stove requires sufficient combustion air to operate smoothly. With dense building envelopes, the room air is insufficient. For this reason, the combustion air required must be supplied from outside.

Your pellet stove is prepared for this situation (balanced flue operation). The external air supply pipe must be connected tightly to the pellet stove (e.g. pipe clamp or airtight adhesive tape). Your dealer will advise you on the correct connection.

8 Fuel material/-quantity

8.1 Fuel material



Fig. 6: Pellet



Fig. 7: ENplus A1

Pellets

Poor pellet quality will cause significant residues in the pellet stove when burnt. We therefore urge the use of pellets that have no artificial binding agents. That way only a small unburnt residue is left.

ENplus-A1 certified pellets meet this requirement.

When storing the pellets, it is vital to ensure that they are stored in a cool dry place free of contamination. Damp, dirty or old pellets result in poor combustion and block the screw conveyor.

A screw conveyor blocked due to inappropriate use of pellets is excluded from the guarantee.

We recommend that when a prolonged period of the pellet stove not being used (summertime) is imminent, the screw conveyor be allowed to run empty.

NOTICE

Use only pellets with a **diameter of 6mm** and no more than 1% of the pellets may be longer than 40 mm, with a maximum length of 45 mm.

NOTICE

The use of inferior-quality, damp, dirty or old pellets or other material will damage the working of your pellet stove and void the guarantee and warranty.

Explosive substances

It is strictly forbidden to burn or introduce highly flammable or explosive substances (such as empty aerosols and the like) into the firebox or to store them in the immediate vicinity of your pellet stove due to the risk of explosion!

Fuel

Only burn the recommended fuel.

8.2 Fuel quantity

Maximum fuel quantity

Every pellet stove is designed for a maximum fuel quantity: see Technical Data section. Larger fuel quantities lead to overheating and damage to the pellet stove!

NOTICE

To avoid damage you must **NEVER** operate your pellet stove with a greater quantity of fuel than that specified in these user instructions!

9 Installation

The assembly and installation must only be carried out by an authorized specialist company.

Before installing the pellet stove, check that all movable parts are working. Any defects must be reported before installing the pellet stove.

Observe regionally applicable safety and construction regulations and contact your master chimney sweep in this regard.

Use only heat-resistant sealing materials, sealing tape, heat-resistant silicon and mineral wool.

Make sure that the flue pipe is not blocking the free cross-section of the chimney.

If your pellet stove is provided for balanced flue operation, the stove pipe connections must be connected permanently tightly. Use suitable heatproof silicon for placing the stove pipe on to the conical flue pipe brackets and for inserting into the chimney's pipe chuck.

On no account position the pellet stove on unprotected floor. Corrugated board, cardboard or a dis-used carpet are suitable for use as an assembly aid and base. These allow you to move the pellet stove carefully.

For proper installation we recommend original flue pipes from our Austroflamm flue pipe range.

In the following sections we will give you information on

- the integration or attachment of appliance parts,
- other important facts relating to the installation.

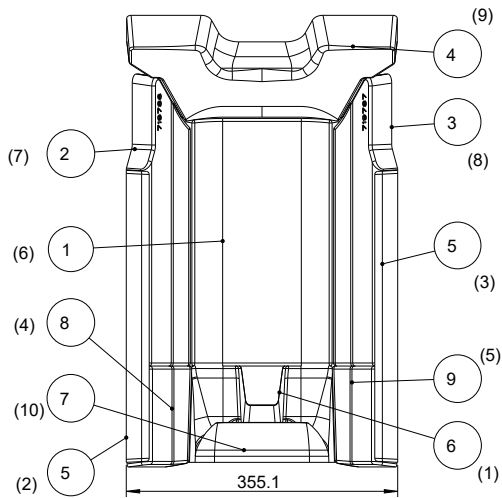
The protective equipment and tools listed are required for the following work steps

Type of protective equipment	
	Safety gloves
	Safety shoes

Work equipment	Activity
Insulated tools	In order not to damage or scratch the varnish, no sharp objects or tools should be used. Instead insulated tools are used by preference when assembling and disassembling stove parts.
Torx wrench set	various installation jobs
Allen key set	various installation jobs
Fork wrench set	various installation jobs

9.1 Procedure

9.1.1 Mounting the Keramott



Numbering in the round brackets = installation sequence

Fig. 8: Keramott

9.1.2 Installing the PGI (available only for France)

1) Remove cover.

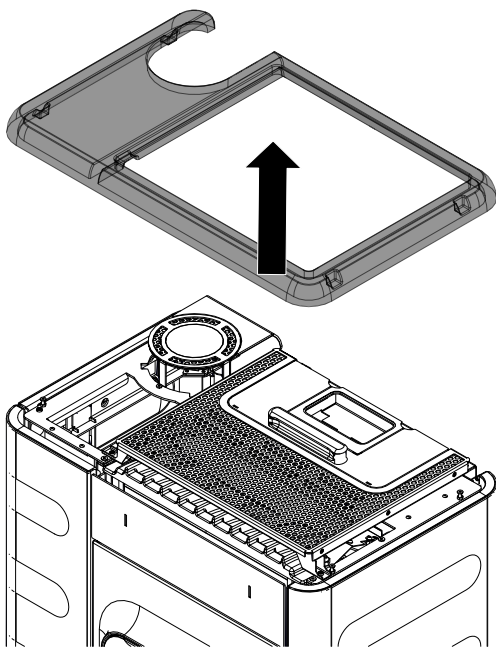


Fig. 9: Removing the cover

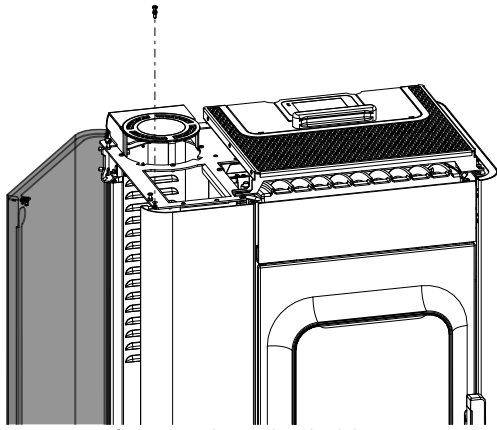
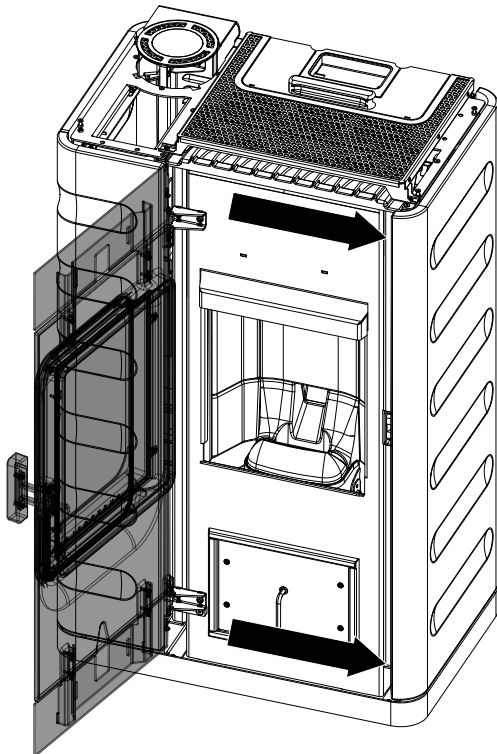


Fig. 10: Lifting up the side cladding

- 2) Undo the screws at the top and lift up the left-hand side cladding.



- 3) Open door.
- 4) From inside, undo the screws of the side cladding.

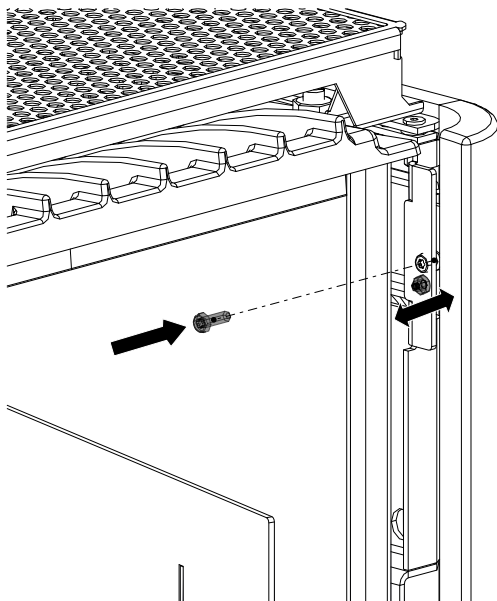


Fig. 11: Fastening the ceramic cladding

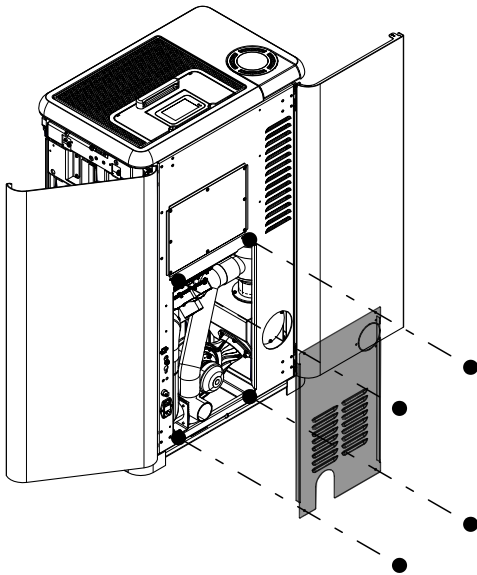


Fig. 12: Removing the rear panel

5) Remove the rear panel.

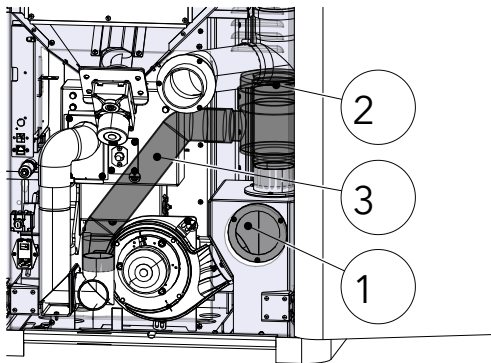


Fig. 13: Mounting the poujoulat

6) Detach cover (1).

7) Mount poujoulat (2) on to the flue gas distributor using the 3 screws.

8) Connect the pipe (3) with the elbow piece to the supply air.

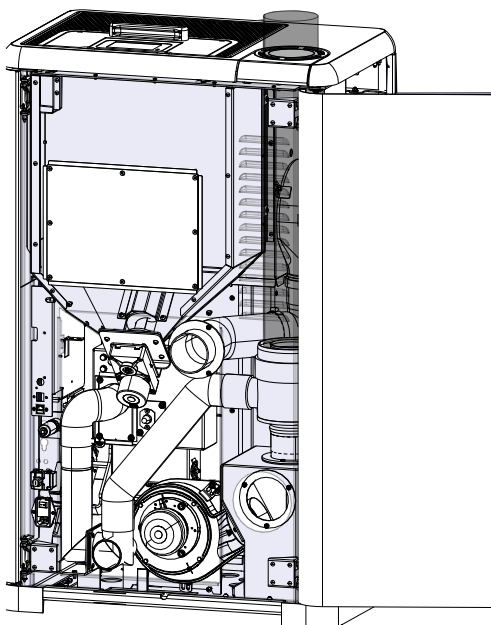


Fig. 14: Connecting the flue pipe

9) Connect the flue pipe to the top of the poujoulat.

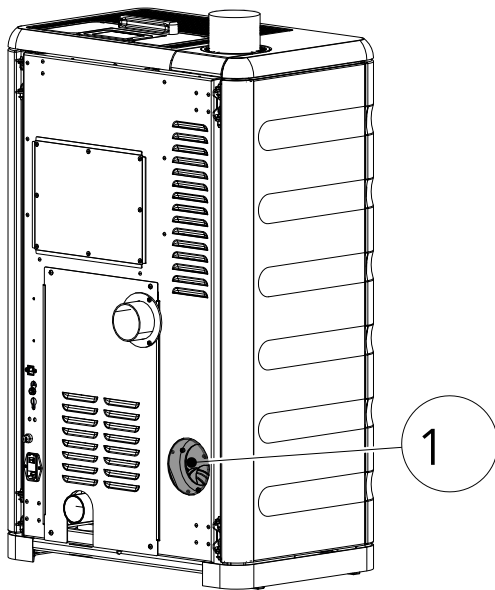


Fig. 15: Attaching the rear panel and side cladding

- 10) Reattach rear panel.
- 11) Close the side cladding up again and refasten it.
- 12) Mount to the rear panel the cover (1) that was removed beforehand.

9.1.3 Mounting and configuring the air distribution module

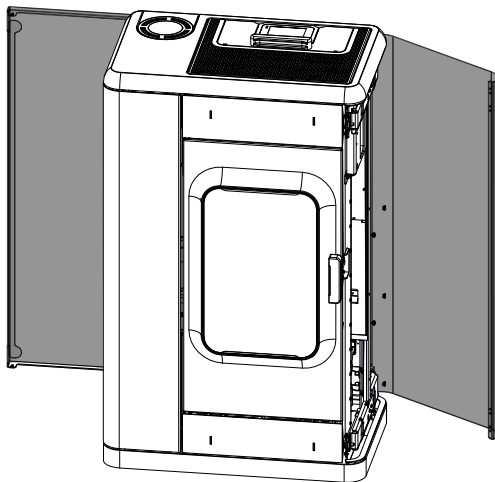
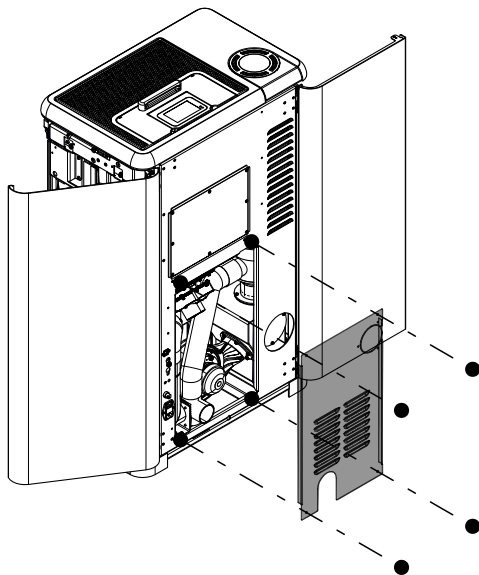


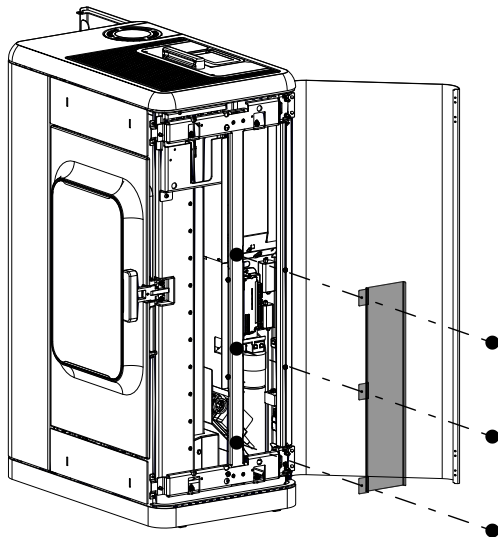
Fig. 16: Opening the left- and right-hand side cladding

- 1) Open left- and right-hand side cladding.



2) Remove the rear panel.

Fig. 17: Removing the rear panel



3) Detach cover.

Fig. 18: Detaching the cover

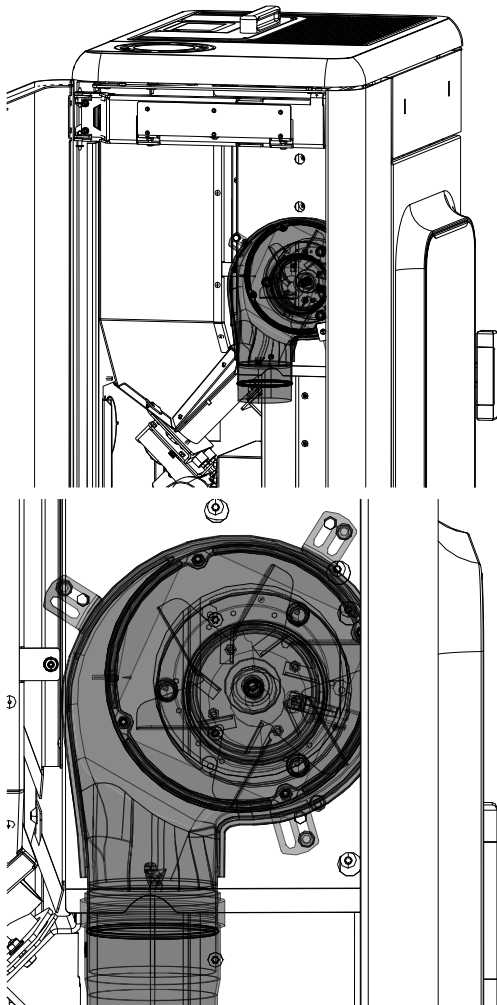


Fig. 19: Mounting the air distribution module



Fig. 20: Connecting the cables

- 4) Attach air distribution module to the stove and fasten it.
 - ⇒ When doing so, follow the correct installation as shown below.

- 5) Connect to each other the cable from the air distribution module and the cable which leads to the control unit.
 - ⇒ Only one plug needs to be connected to the fan. The second is not used.
- 6) Secure the upper part of the cable with a cable tie.

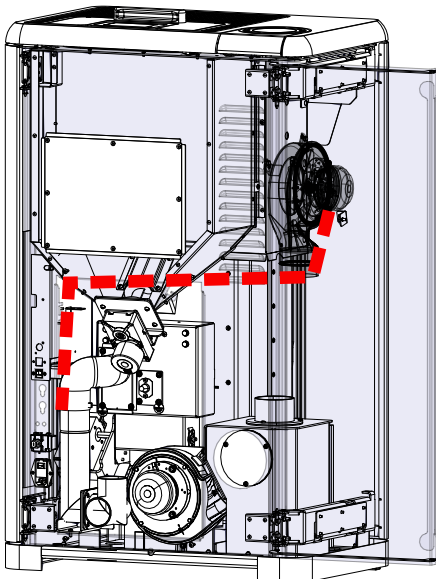


Fig. 21: Pulling the cable through

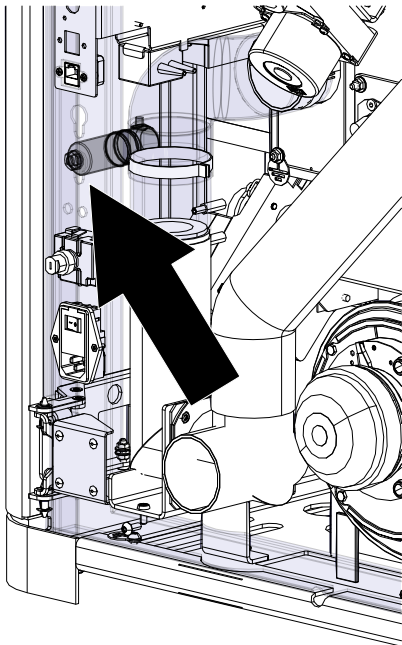


Fig. 22: Capacitor

- 7) Lay the cable in the stove as shown and fix it with cable ties.

- 8) Connect cable to the capacitor.
⇒ When doing so it is not important which cable is connected to which connection.
- 9) Attach capacitor at this point.

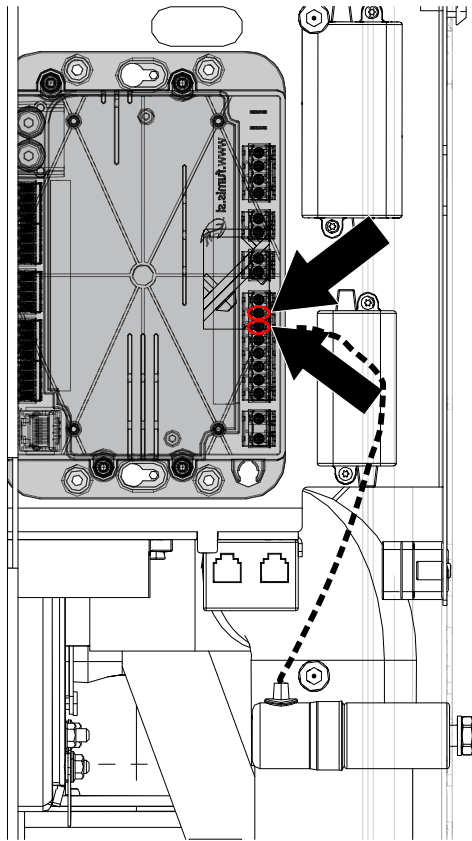


Fig. 23: Clipping on to the air distribution module

- 10) Clip air distribution cable on to the control unit.
 - ⇒ There are two cables (grey and brown) to be connected. It does not matter which cable is connected to which connection.
 - ⇒ Connection to position 5+ 6.

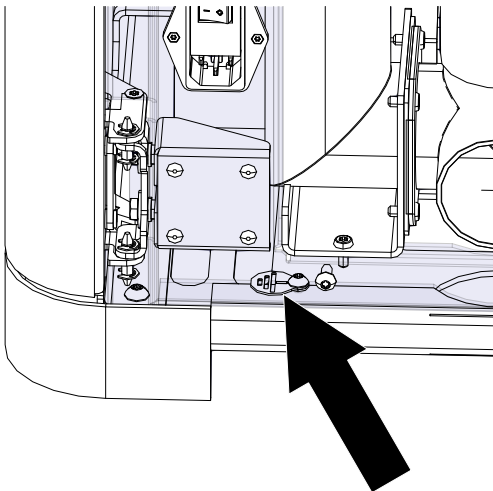


Fig. 24: Connecting the central earth

- 11) Connect central earth.

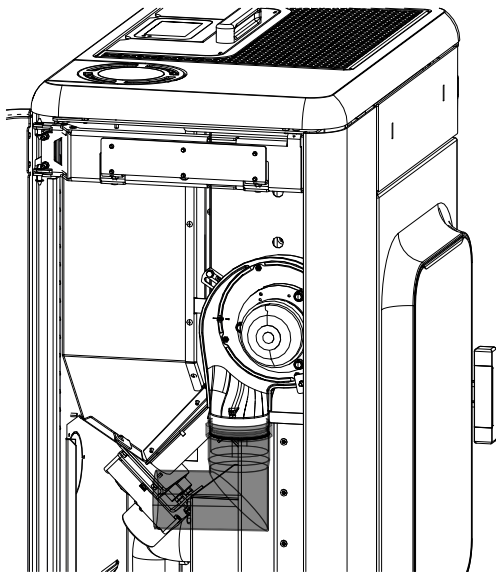


Fig. 25: Connecting to L-pipe section

- 12) Place the L-pipe section on to the air distribution module.

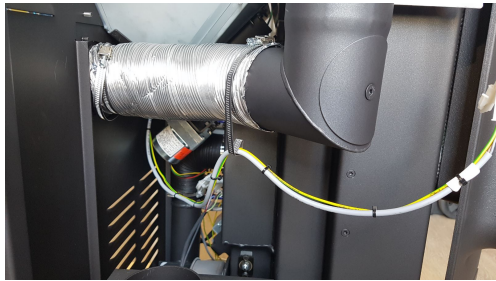


Fig. 26: Attach aluminium flexible hose.

- 13) Attach aluminium flexible hose as illustrated and secure with hose clamps.
14) The lower cable can be fixed as illustrated, so that it does not dangle in the stove.

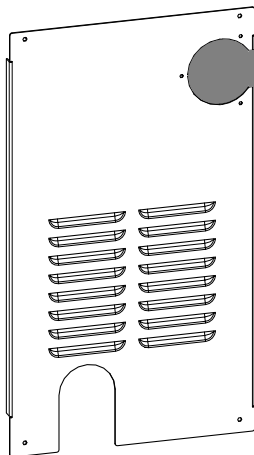


Fig. 27: removing the perforated cut-out

- 15) Using a saw, remove the perforated cut-out on the rear panel.

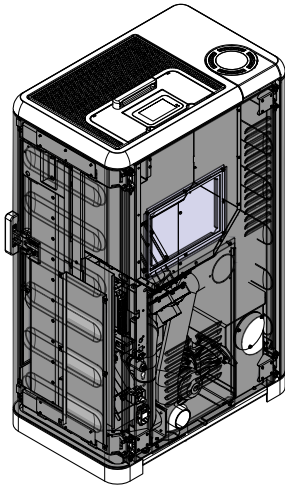


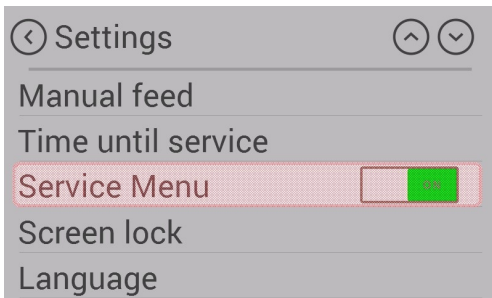
Fig. 28: Attaching rear panel and side cladding

16) Reattach rear panel and all side cladding.



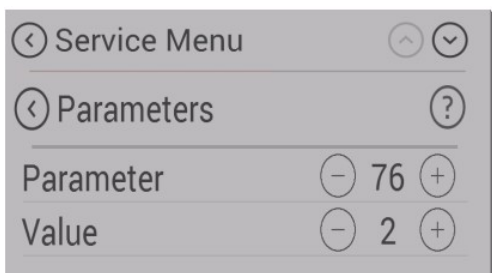
Fig. 29: Mounting the double connection bracket

17) Mount double connection bracket on to the stove.

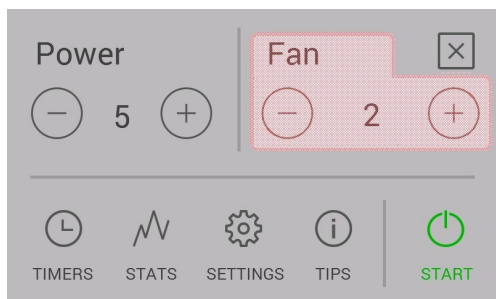


18) To enable the "Air Module" option, select the service menu in the settings.

19) Dealers or Austroflamm only: to get into the service menu, please enter the service CODE.



20) In the service menu, select "Parameters" and in Parameter no. "76" change the value from 1 to 2.



- 21) Now disconnect the stove from the power supply and start it up again.
- 22) After the stove has been restarted the fan speed can now be selected from the main menu. The fan will only start to turn at a firebox temperature of 200°C.

9.1.4 Mounting the ceramic cladding

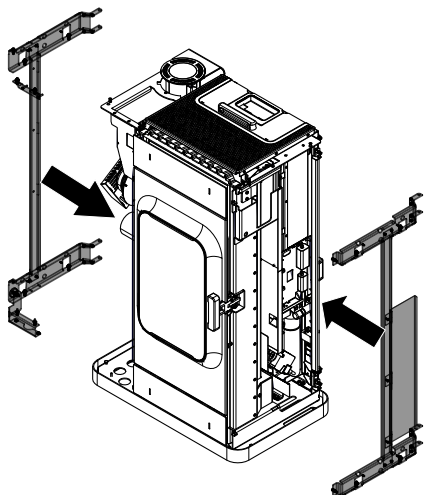
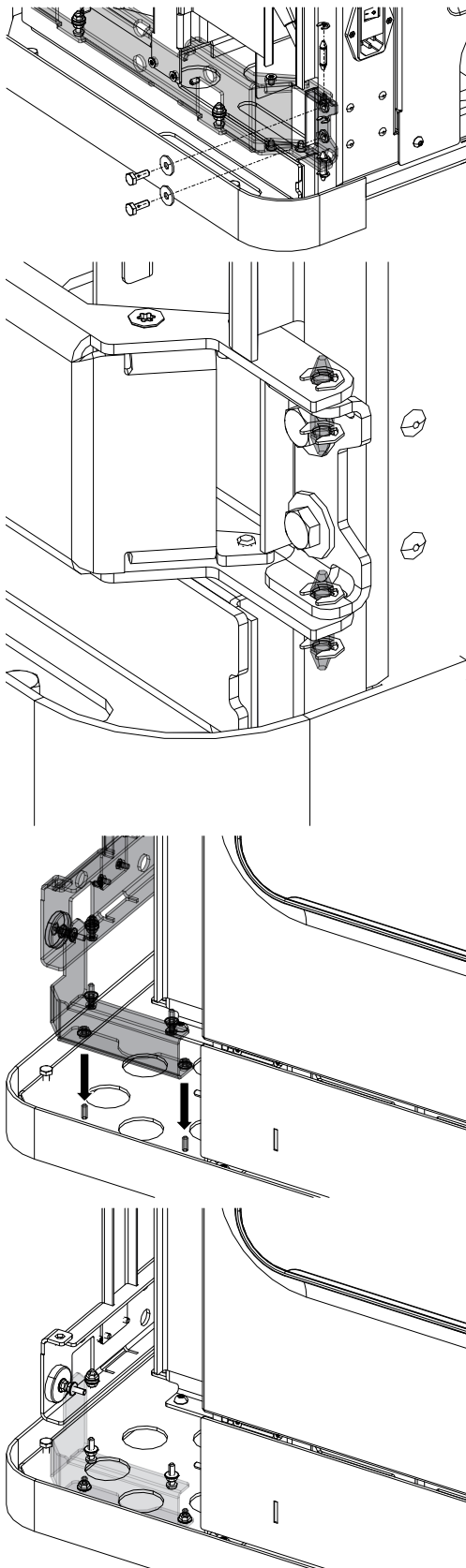


Fig. 30: Attaching the support brackets to the pellet stove

The ceramic cladding support brackets must be mounted on the pellet stove.

To do so, please proceed as follows:

- 1) Attach support brackets to the pellet stove.



- 2) Fix the support brackets to the pellet stove as shown.
- 3) Repeat this for the top and bottom of the left and right support bracket.

Fig. 31: Mounting the support brackets

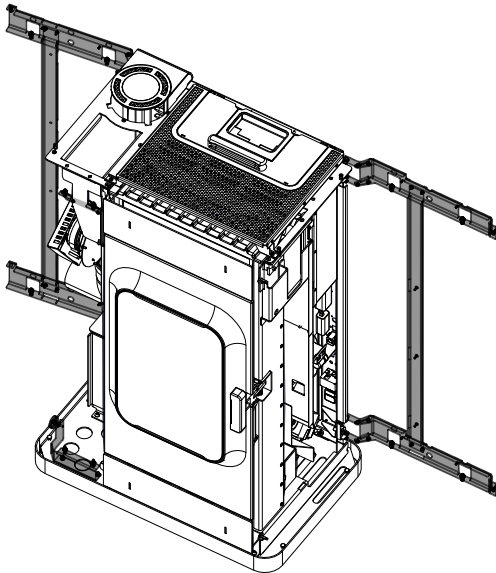


Fig. 32: Swinging open the support brackets

4) Swing open support brackets.

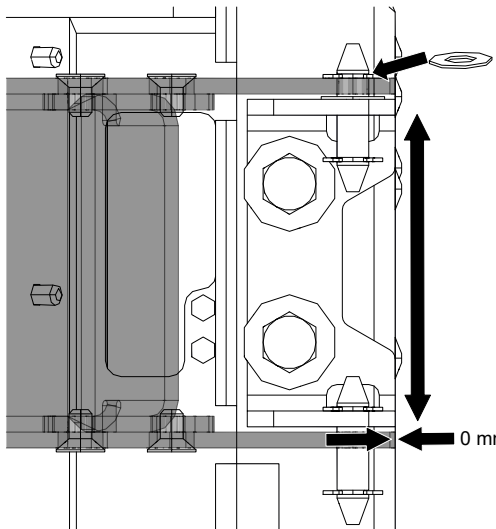


Fig. 33: Adjusting the height of the support brackets

5) The height of the support brackets can be increased at the top using an extra shim.

6) On the sides there should be no space between the support bracket and the pellet stove.

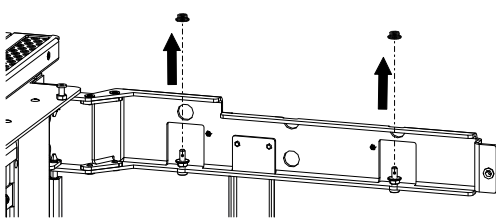


Fig. 34: Loosening the nuts

7) Nuts are premounted on the support brackets at the top, bottom, left and right. Loosen these nuts.

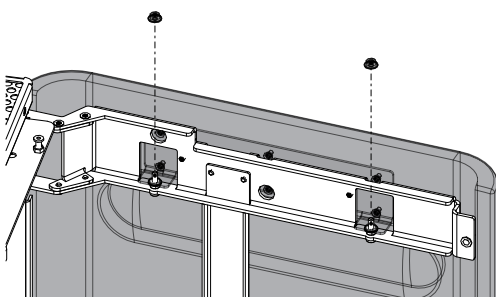


Fig. 35: Attaching the ceramic cladding

8) Now attach the ceramic cladding to the support brackets and fix with the nuts that were just loosened.

9) Repeat this step for the other side as well.

10) Rotate support brackets with ceramic cladding towards the pellet stove.

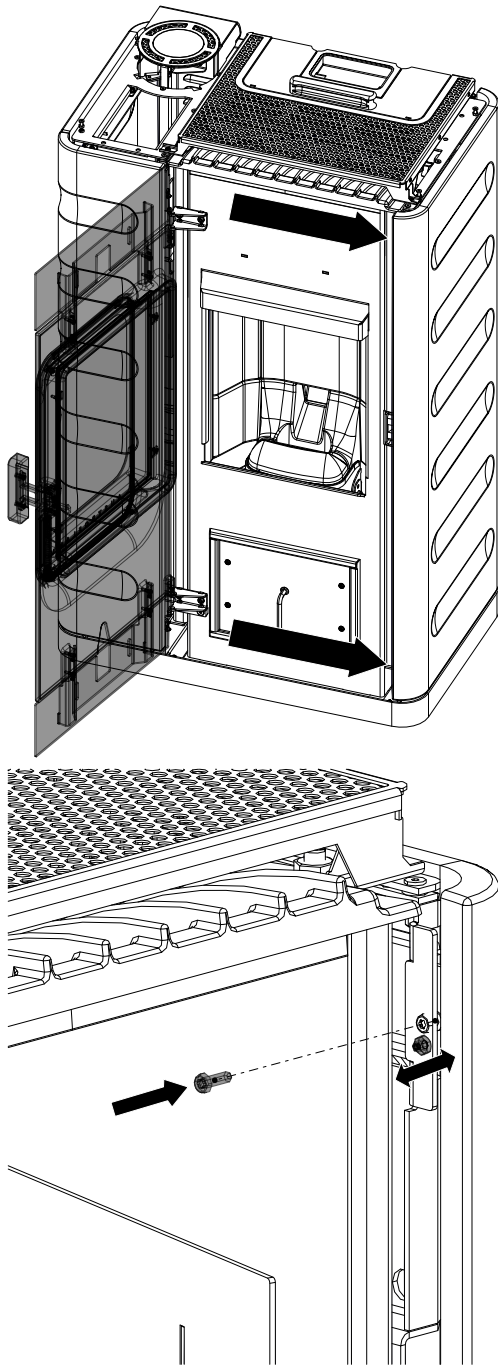


Fig. 36: Fastening the ceramic cladding

- 11) Open door.
- 12) Fasten the ceramic cladding from inside using the top screw.
- 13) The lower grub screw can be used to adjust the space between ceramic cladding and pellet stove.

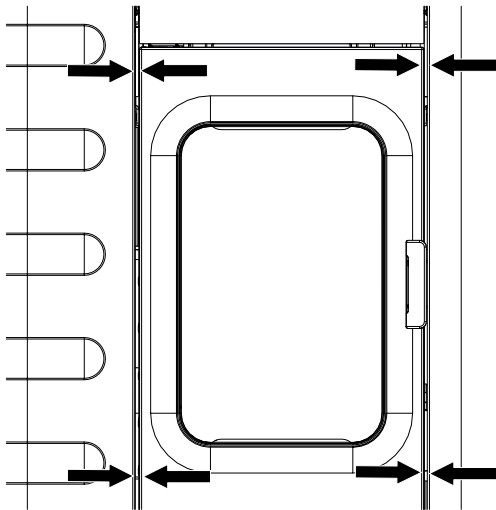


Fig. 37: Adjusting the distance

- 14) The ceramic cladding should be at the same distance on all sides. Otherwise it must be adjusted with the grub screw.

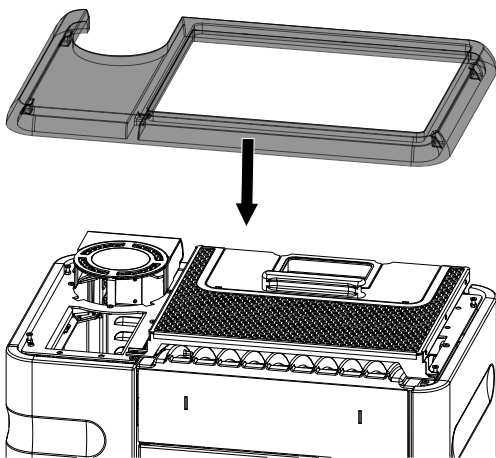


Fig. 38: Attaching the cover

- 15) Attach cover.

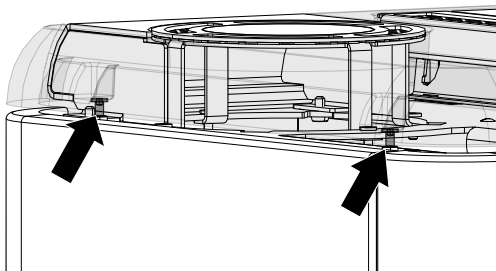
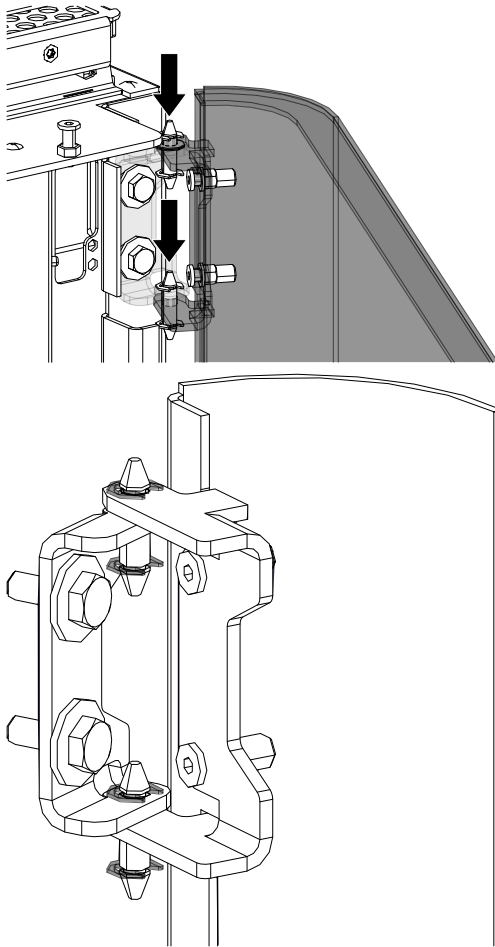


Fig. 39: Adjusting the lid

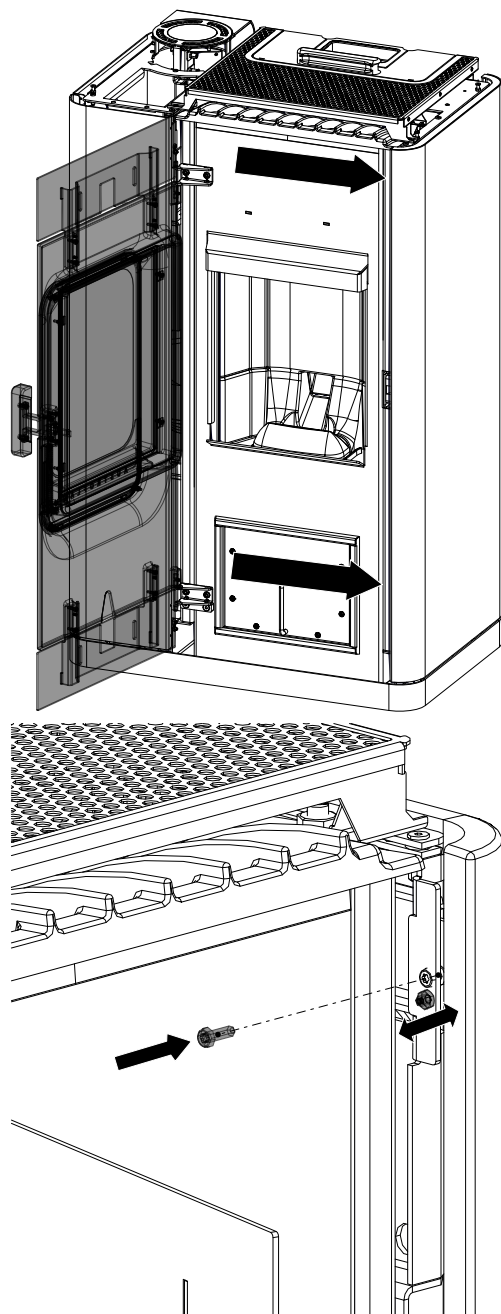
- 16) These screws (left and right) can be used to adjust the distance from the lid.

9.1.5 Mounting the steel cladding



- 1) Mounting the steel cladding on the pellet stove.
- 2) Fasten the steel cladding at top and bottom, left and right, as shown.

Fig. 40: Mounting the steel cladding on the pellet stove



- 3) Open door.
- 4) Fasten the steel cladding from inside using the top screw.
- 5) The lower grub screw can be used to adjust the space between ceramic cladding and pellet stove.

Fig. 41: Fastening the steel cladding

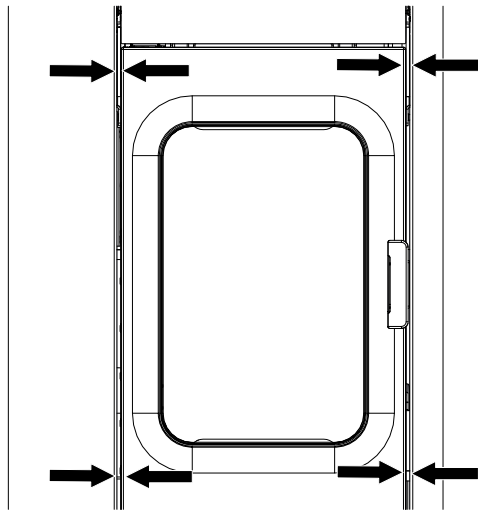


Fig. 42: Adjusting the distance

- 6) The steel cladding should be at the same distance on all sides. Otherwise it must be adjusted with the grub screw.

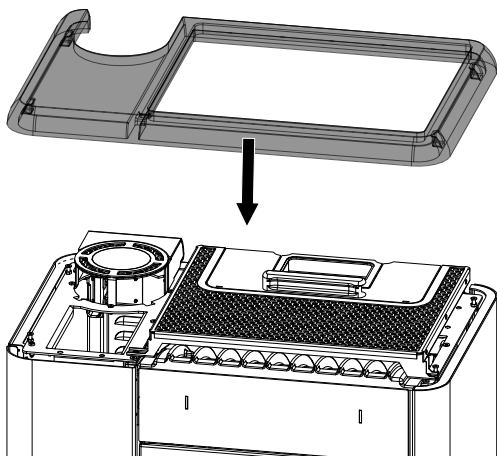


Fig. 43: Attaching the cover

- 7) Attach cover.

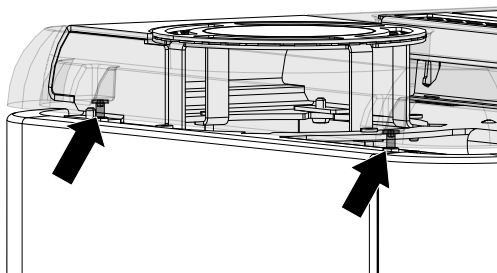


Fig. 44: Adjusting the lid

- 8) These screws (left and right) can be used to adjust the distance from the lid.

9.1.6 Mounting the WiRCU-BOX (WLAN)

9.1.6.1 Included in the OPTIONAL WiRCU box



WiRCU BOX



1.5 m data cable



Information card with MAC address and PIN number

WARNING

The WiRCU Box must not come into contact with water, cleaning agents, solvents or other liquids. These will damage the box's electronics and cause malfunctions.

Technical characteristics:

- Temperature range for storage and operation: -20°C to +60°C
- Permissible air humidity for storage and operation: max. 95 %, non-condensing
- Wireless type: 802.11 b/g/n 2.4 GHz
- Host controller link: proprietary protocol
- Dimensions: 76 x 51 x 23 mm
- Mounting on stove: 2 screws (hexagon socket M4x8)
- Connections: Micro USB connection for firmware update, RJ11 connection for communication and power supply
- Protection class: IP20 - when mounted in recommended position

Technical requirements for the WLAN network:

- Wireless type: 802.11 b/g/n 2.4 GHz
- Security encryption: WPA2 or clear/unencrypted
- No MAC address filtering
- **TCP ports 5001 & 5101** must be activated

For the correct configuration of your WLAN router please contact your IT administrator or IT specialist.

9.1.6.2 How to attach the WiRCU box to the stove



- 1) On the right-hand side of the rear panel of the stove there are 2 boreholes with hexagon socket M4 x 8 screws prepared for the mounting of the WiRCU box. These screws must be unscrewed with a 2 mm Allen key before mounting.



- 2) Now mount the WiRCU box on the rear panel in the position illustrated.
IMPORTANT: The connection for the data cable should be located on the top of the WiRCU box. In this position the MAC address and the PIN number on the visible side of the WiRCU box can always be seen.



- 3) Now connect the data cable to the WiRCU box. Connect the 2nd end to the free 6-pin socket below the WiRCU box. This creates the connection between the controls of your stove and the WiRCU box. As soon as the heating appliance is supplied with power, the "CONT" LED on the WiRCU box will be constantly lit and the "WI-FI" LED will flash as follows: 0.5 sec. ON / 0.5 sec. OFF.

9.1.6.3 Downloading and integrating the Austroflamm PelletControl APP

To incorporate the WirCU box into your WLAN network you will need the **Austroflamm PelletControl APP** on your SmartDevice.

The WirCU Box can only be operated with the Austroflamm PelletControl APP. The current version of the Austroflamm PelletControl APP is available for download in the APP Store (for iOS operating systems) and at Google Play (for Android operating systems). You can download the APP by scanning the relevant QR code:



Android PelletControl



iOS PelletControl

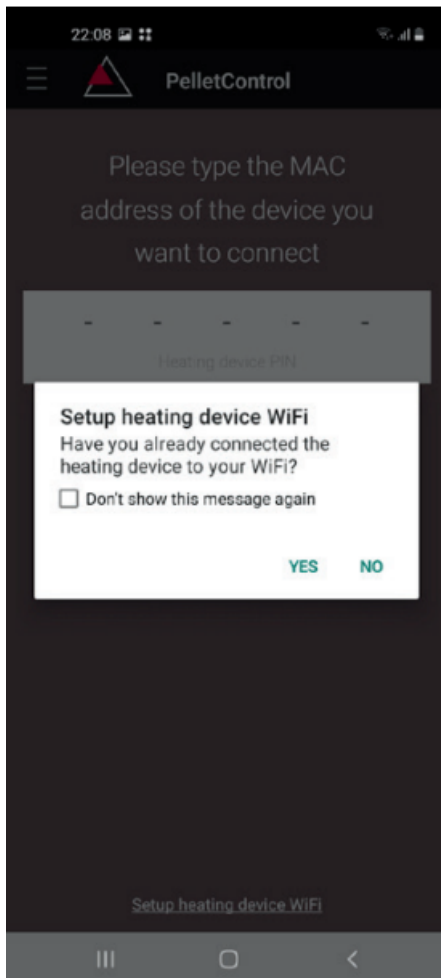
Working with your SMART DEVICE (telephone, Tablet, etc.), and the AUSTROFLAMM PELLET CONTROL APP, the WiRCU box enables remote access to your heating appliance.

How remote access works:

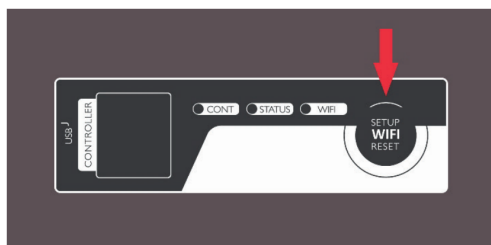
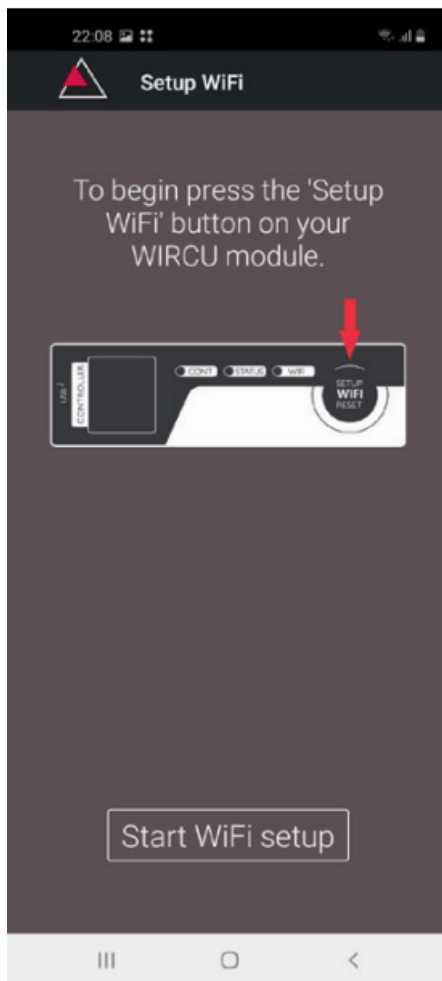
- Commands are conveyed via the Austroflamm PelletControl APP, the Internet and the Cloud server to the controls and the operating system (display or control knob). Please be aware: There is a time delay between inputting the command and its execution.
- For the stoves with rotary control, the rotary control must be positioned at 3 o'clock for the WLAN box to work.
- If you connect the WLAN box to a **WLAN modem/router/Smartphone** that is operated with **mobile data**, please bear in mind the additional costs for data transmission.

9.1.6.3.1 How to create the connection to your WLAN network using an Android device

- Enable WLAN on your Smartphone.
- Launch the Austroflamm PelletControl APP.
- The instructions for setting up the WiRCU Box are displayed in the language set for your SMART DEVICE (see Section Changing the APP language displayed [▶ on page 67]).
- Read and confirm the end user licence agreement.
- **Carefully carry out the following steps.**



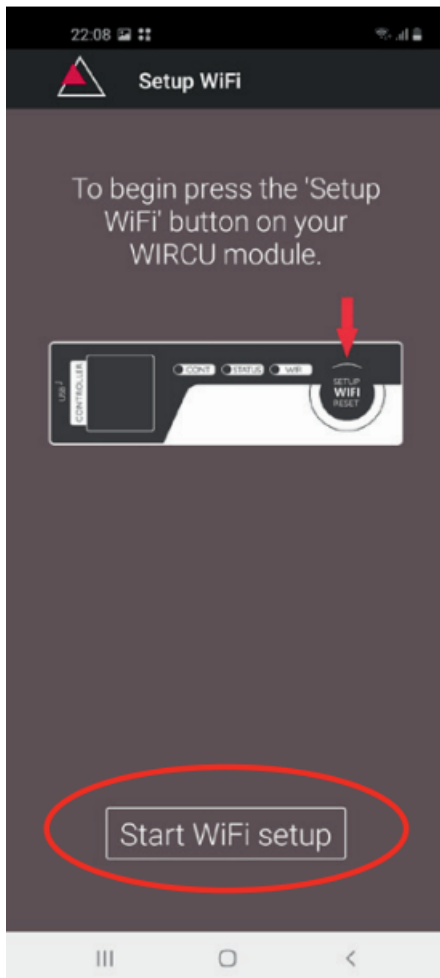
- 1) Launch the AUSTROFLAMM PELLETT CONTROL APP. On launching, the APP displays the menu page shown.
- 2) Press "No" unless your WiRCU box is already connected to your WLAN network.



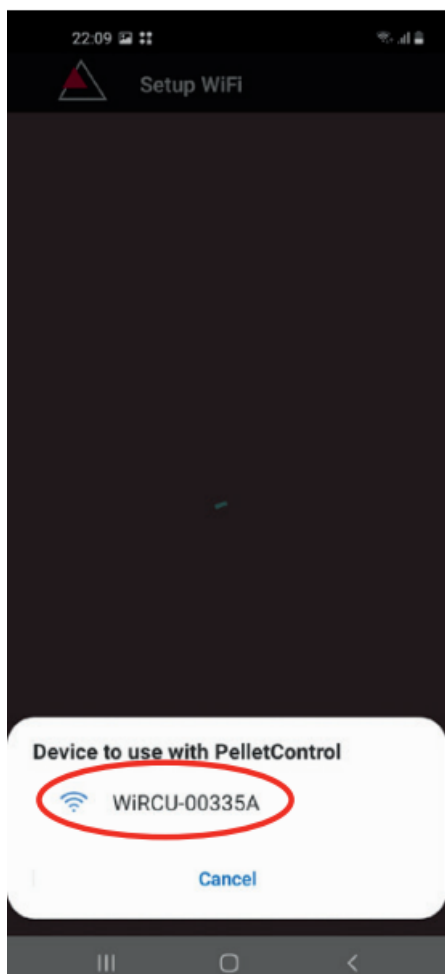
- 3) The APP will guide you step by step with instructions through the connection process. Follow these instructions.

- 4) Press the "SETUP WiFi RESET" button on the WLAN box. After the button is pressed, the WLAN LED will flash rapidly (see Section LED display/function information [▶ on page 66]).
- 5) The WIRCU box then switches on its own WLAN network "WIRCU XXXXXX".

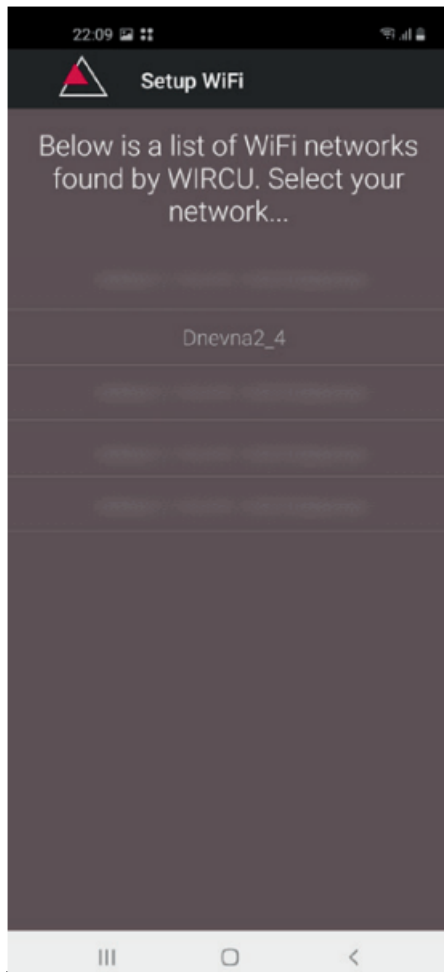
After starting this process, you have **about 3 minutes to establish the connection between the WIRCU box and your WLAN network.** (If you exceed this period, you will have to repeat the connection process.)



6) On the APP screen, press "Start WLAN set-up".



- 7) Now your Smart device will be shown looking for the "WiRCU-XXXXXX" WLAN network. The search will last a few seconds.
- 8) As soon as the WLAN network of the WiRCUBOX is found, "WiRCUXXXXXX" will appear.
- 9) Select the suggested WLAN network.

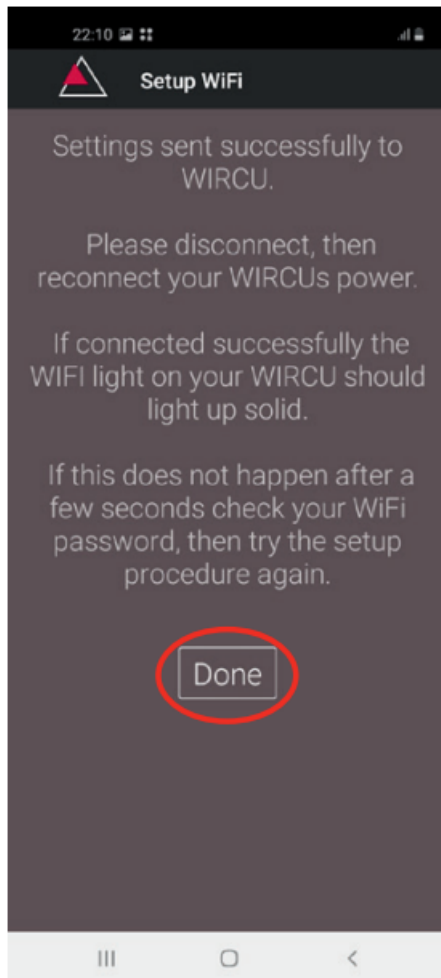


- 10) After the WLAN network "WiRCUXXXXXX" has been selected, the APP will list all available WLAN networks. From this list, select the WLAN network to which your WiRCU box should be connected in future.

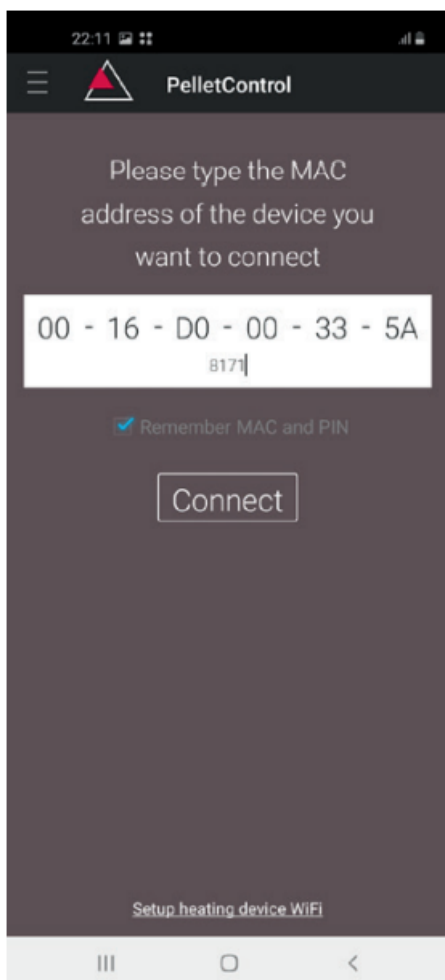


- 11) After selecting the network, you will be asked to enter your password. Enter the password for your WLAN network and then press "Finished".

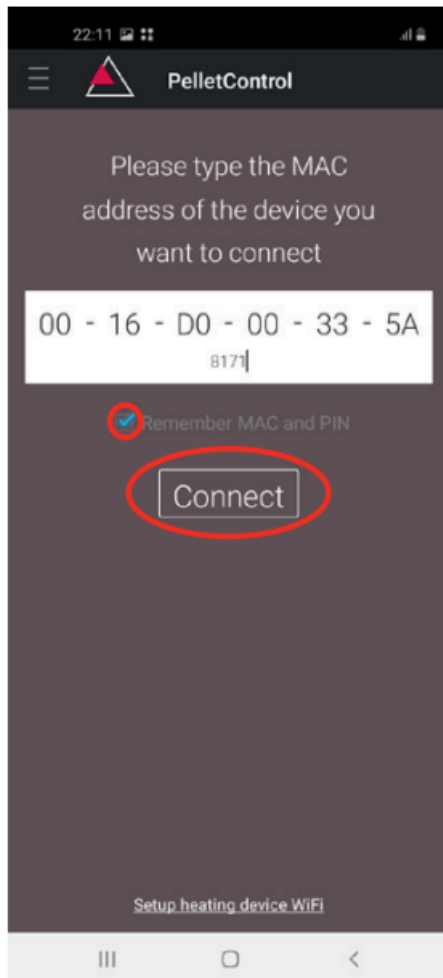
Attention: If your WLAN network is not password protected, press "Finished" without entering a password.



- 12) Wait until the message "Settings successfully transmitted to WiRCU" appears. Then press "Finished".
- 13) Now disconnect the data cable from the WiRCU box. Then shortly after, reconnect the cable.
- 14) Now wait until all 3 LEDs on the top of your WLAN box are permanently lit. (Should this not be the case, repeat the process as per the section [How to create the connection to your WLAN network using an Android device](#) [▶ on page 45] and / or follow the section [The WLAN network "WiRCU-XXXXXX" is not found](#) [▶ on page 65]).



- 15) In the window displayed, now enter the MAC address and PIN number of your WiRCU box. You can find this data on the WiRCU box or on the information card supplied with it.



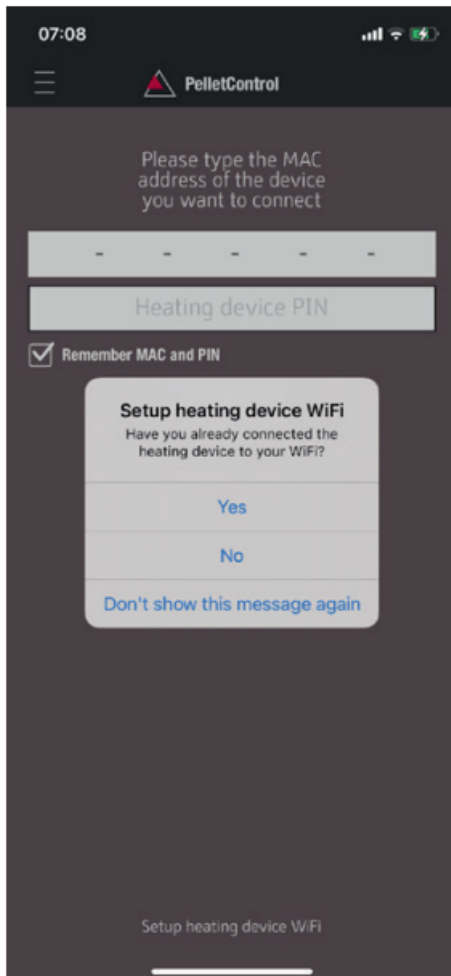
- 16) Select the "Save MAC address and PIN number" function. This saves your input until it is changed.
- 17) Press "Connect".



- 18) Your stove can now be operated via the APP.
- 19) You can read in Functions and operations of the Austroflamm PelletControl APP about the options that the APP offers you.

9.1.6.3.2 How to create the connection to your WLAN network using an iOS device

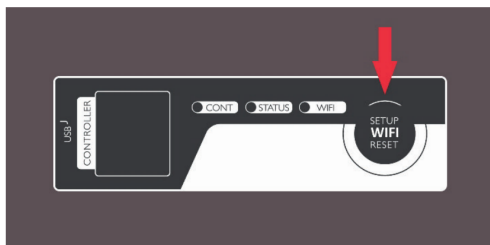
- In the SMART DEVICE MENU, activate the “WLAN” function.
- Open the Austroflamm PelletControl APP.
- You will now receive instructions for connecting the WiRCU box to the WLAN router. These will appear in the language that your Smartphone has activated as standard (if not, see Section Changing the APP language displayed [▶ on page 67]).
- Read and confirm the displayed end user licence agreement.
- Then carry out the following steps shown on the screen:



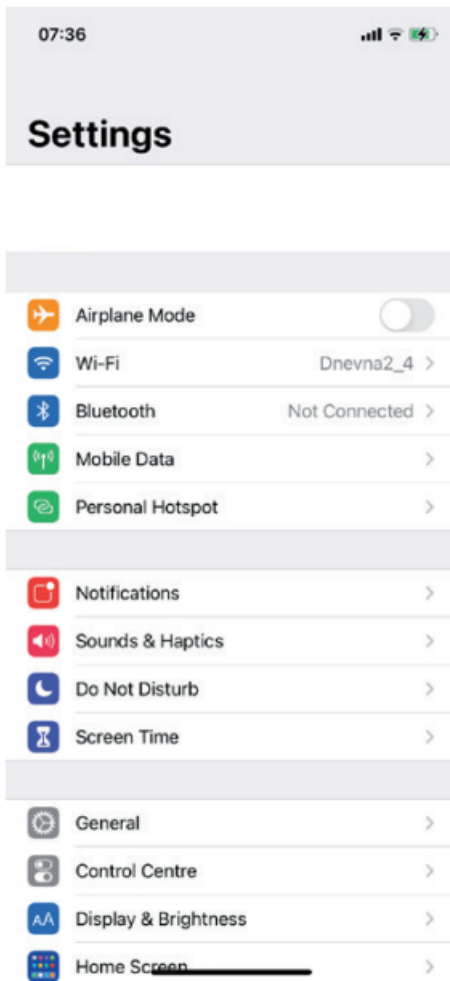
- 1) Launch the AUSTROFLAMM PELLETT CONTROL APP. On launching, the APP displays the menu page shown.
- 2) Press “No” unless your WiRCU box is already connected to your WLAN network.



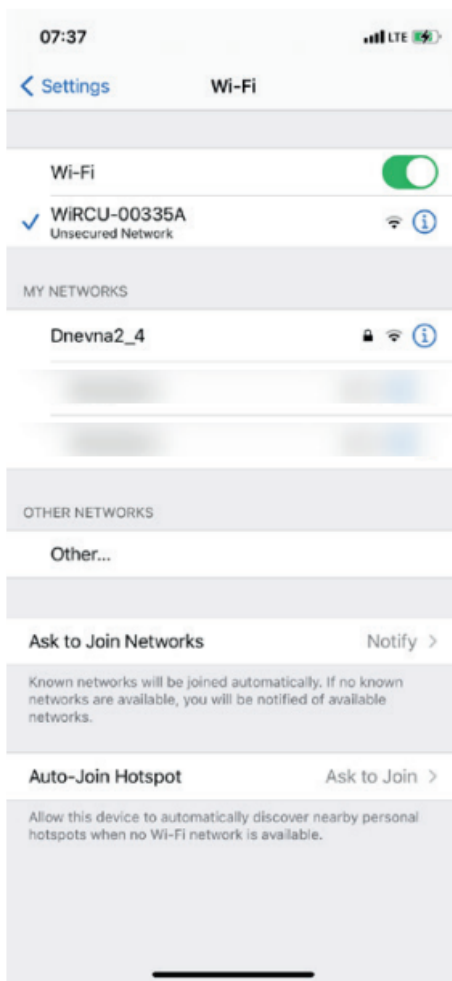
- 3) The APP will guide you step by step with instructions through the connection process. Follow these instructions.



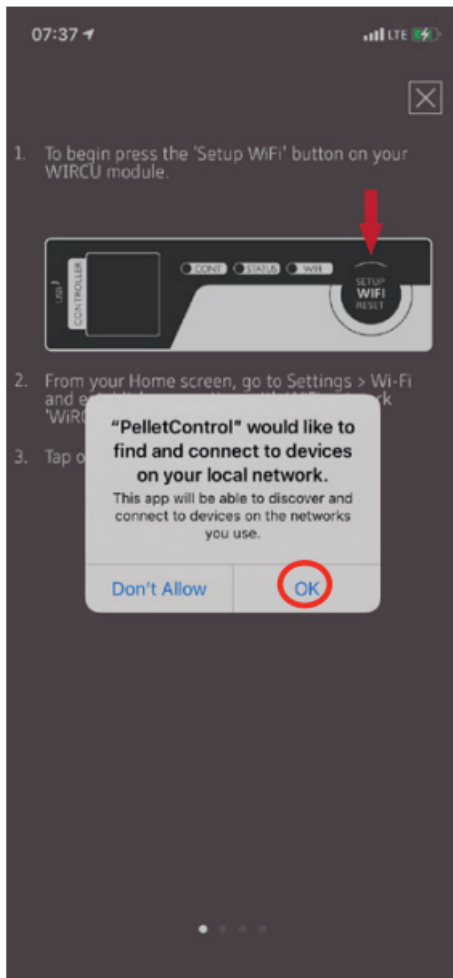
- 4) Press the "SETUP WiFi RESET" button on the WIRCU box. After the BUTTON is pressed, the WLAN LED will flash rapidly (see Section LED display/function information [▶ on page 66]).
- 5) The WIRCU box then switches on its own WLAN network "WiRCU-XXXXXX". After starting this process, you have about 3 minutes to establish the connection between the WIRCU box and your WLAN network. (If you exceed this period, please repeat the process.)



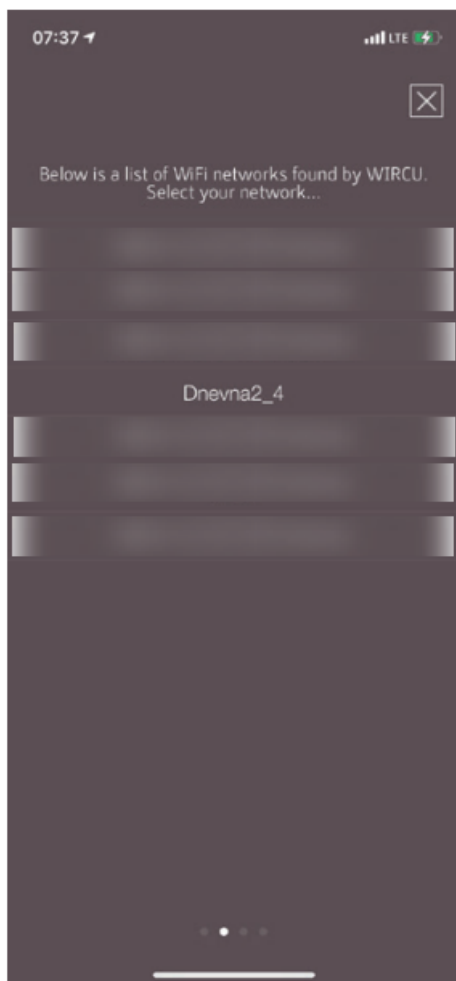
- 6) Now switch from the APP into the settings menu of your Smart device and activate the WLAN menu.



- 7) Wait until your Smartdevice has refreshed the list of WLAN networks in the WLAN menu. Then select the WLAN network "WiRCUXXXXXX".



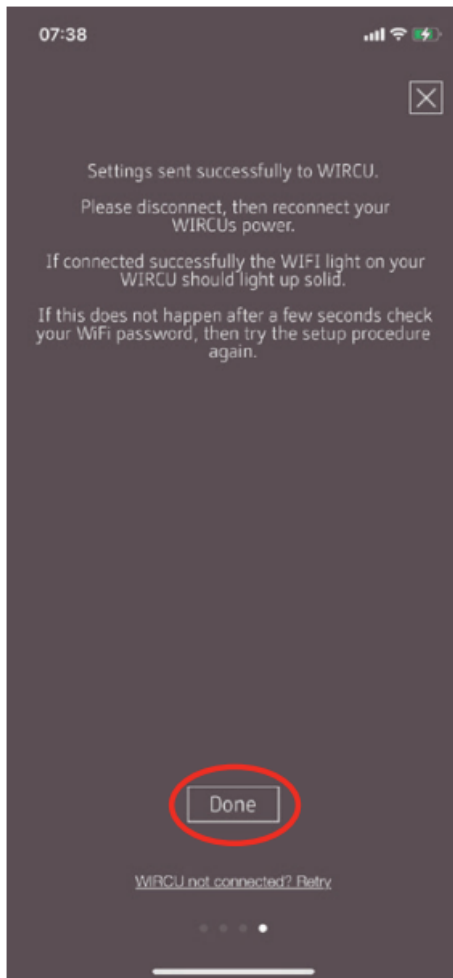
- 8) Now go back to the AUSTROFLAMM PelletControl App. Here, you will be asked to select the WLAN network "WiRCUXXXXXX".



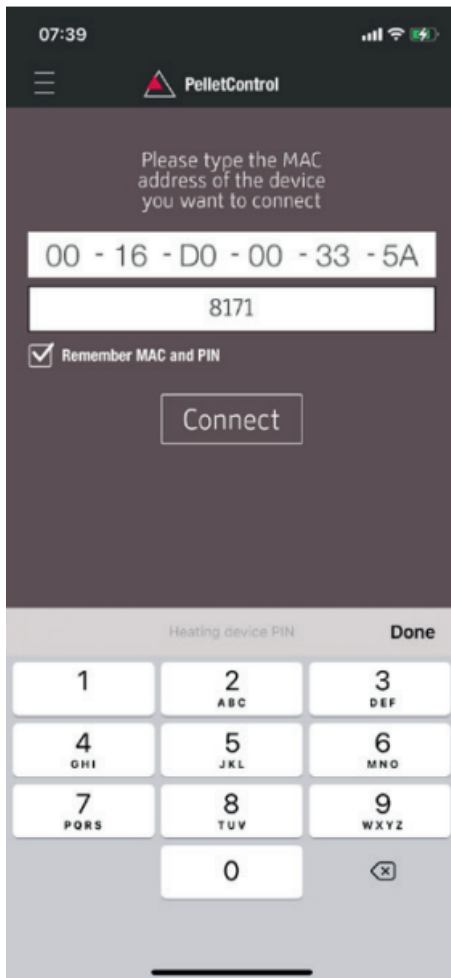
- 9) Now the "CONTINUE" prompt will appear. Press it. A list of all available WLAN networks will be displayed. From this list, select the WLAN network to which your WiRCU box should be connected in future.



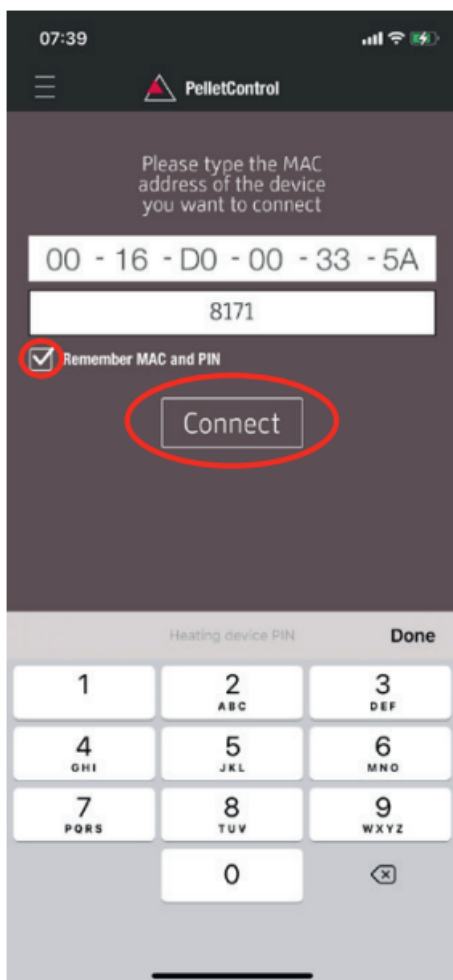
- 10) After this you will be prompted to enter the password. Enter the password of your WLAN network. Then press "Continue". (If your WLAN network is not password protected, press "Continue" without entering a)



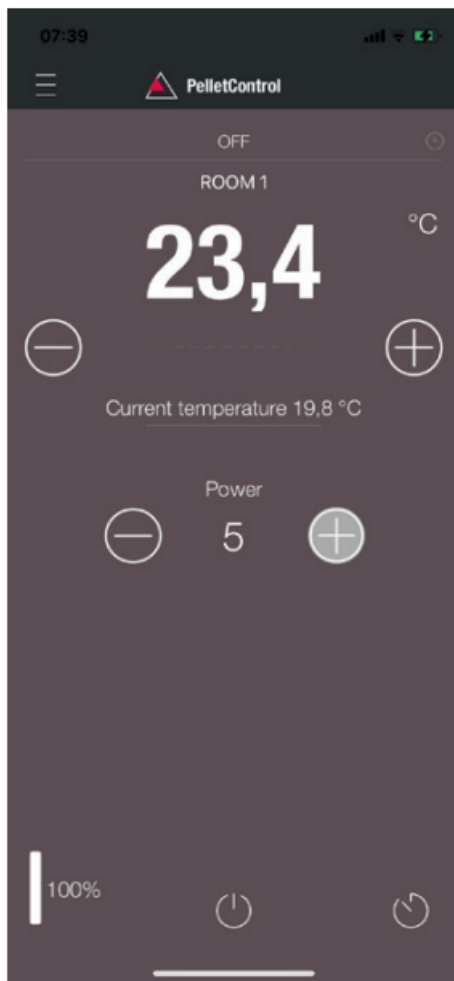
- 11) Wait until the message "Settings successfully transmitted to WiRCU" appears. Then press "Finished".
- 12) Now disconnect the data cable from the WiRCU box. Then shortly after, reconnect the cable.
- 13) Now wait until all 3 LEDs on the top of your WiRCU box are permanently lit. (If this is not the case, repeat the process according to the section
 - ⇒ How to create the connection to your WLAN network using an iOS device [▶on page 55] and/or follow the section
 - ⇒ The WLAN network "WiRCU-XXXXXX" is not found [▶on page 65]).



- 14) Now enter the MAC address and PIN number of your WiRCU box in the window that appears. You can read this data on the side of the WiRCU box or on the information card included in the delivery.



- 15) Select the "Save MAC address and PIN number" function. This saves your input until it is changed.
- 16) Press "Connect".



- 17) Your stove can now be operated via the APP. You can read in Functions and operations of the Austroflamm PelletControl APP about the options that the APP offers you.

9.1.6.3.3 The WLAN network "WiRCU-XXXXXX" is not found

- Contact your AUSTROFLAMM dealer or carry out the connection process using a PC with the WiRCU HOME PROGRAMMER software.
- This software is available free of charge as a download on the FUMIS HOMEPAGE www.fumis.si/en/support/wircu-connection-guide. You are also shown here how to correctly manage the software.

9.1.6.4 How to reset the WiRCU box settings

Press the "SETUP WiFi RESET" button on the WiRCU box until all 3 LEDs on the top of the WiRCU box are lit up together and then go out in sequence. This process requires approximately 10 Seconds.

Now you have deleted all the WLAN networks previously saved on the WLAN box.

9.1.6.5 LED display/function information

The WiRCU box informs you of the current functional status via LEDs on the top of the box. (Knowing the particular functional status is vital for resolving problems.)

The following functional status are displayed on the WiRCU box via LEDs:



LED "CONT"

- 1) Blinking (0.5 sec. ON/0.5 sec. OFF): Establishing communication with the heating appliance.
- 2) Continuously ON: Communication established with the heating appliance.

LED "STATUS"

- 1) Blinking (0.5 sec. ON/0.5 sec. OFF): Establishing connection to the server.
- 2) Slow blinking (1 sec. ON/1 sec. OFF): Setting up cloud functionalities (after successfully connecting the appliance to the cloud server).
- 3) Continuously ON: ready for operation by remote access via app.

LED "SETUP WIFI RESET"

- 1) Rapid blinking (0.25 sec. ON/0.25 sec. OFF): Pressing the "SETUP WIFI RESET" button switches the WiRCU box into "WLAN network mode". In this mode the WLAN box looks for available WLAN networks and enables connection to a network.
- 2) Blinking (0.5 sec. ON/0.5 sec. OFF): Creating connection to the Access Point.
- 3) Slow blinking (1 sec. ON/1 sec. OFF): Acquiring the IP address (after creating the connection to the Access Point).
- 4) Continuously lit: Communication with the WLAN router has been created.

9.1.6.6 Functions and operations of the Austroflamm PelletControl APP

NOTICE

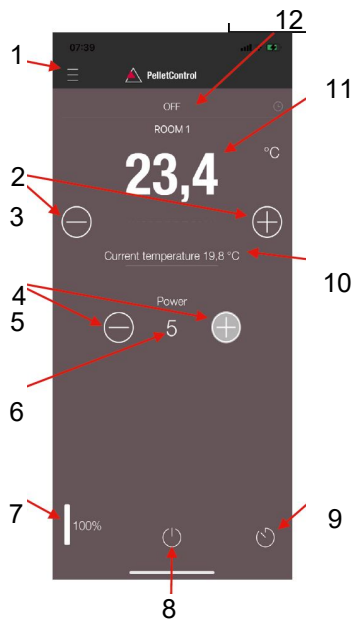
You will only have all the functions of the WiRCU Box and the Austroflamm PelletControl APP if the WiRCU Box has the current software and the current AUSTROFLAMM PELLETS CONTROL APP-VERSION is loaded on your Smart device.

9.1.6.6.1 Changing the APP language displayed



9.1.6.6.2 The APP - the main menu screen/available functions

Numerous shortcuts and settings can be directly called up on the MAIN MENU SCREEN of the APP.



1 Menu function	2 increase desired room temperature
3 reduce the desired room temperature	4 increase heat output
5 reduce heat output	6 current heat output
7 fuel level display	8 ON/OFF button
9 delay timer	10 current room temperature
11 desired room temperature	12 stove status

Stove status

This will inform you about the current operating state - e.g., Off, pellet operation, firewood operation, timer operation, etc. - of your stove. The scope of the operating states depends on the model of the stove.

Desired room temperature

This value displays the desired room temperature value. The desired value can be changed with the (-) and (+) button. The desired room temperature can be set within the limits 0°C - 40°C.

Reduce/increase the desired room temperature

Pressing the (-) button reduces the desired room temperature. Pressing this (+) button increases the desired room temperature. The temperature is reduced or increased by 0,2 °C increments.

Current room temperature

This function displays the current room temperature. On any Austroflamm pellet stove, this is recorded by a wired sensor on the right-hand side of the back of the stove near the floor. When using the optional wireless temperature sensor / AUSTROFLAMM SMART SPOT, the current room temperature is measured from the location of this sensor.

Reduce/increase heat output

The set heat output is displayed with the numbers between the (-) and (+) button. The output can be set in the range of 1 (minimum output) to 5 (maximum output).

The output changes by one level at a time when the buttons are pressed. Pressing the (-) button reduces the desired output level. Pressing the (+) button increases the desired output level. The higher the output level, the higher the heat output and with it the fuel consumption as well.

The nominal heat output is model-dependent.

Fuel filling level indicator

The indicator shows the current filling level of the pellet container. This indicator will inform you in good time when the pellets need topping up.

ON/OFF button

To START or STOP the stove, press the ON/OFF button.

NOTICE

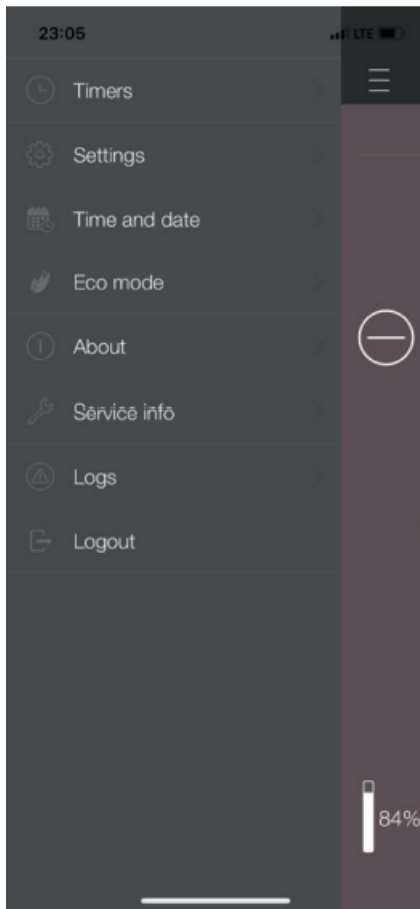
The ON/OFF button cannot reset errors and warning messages. Errors and warning messages can only be reset on the heating appliance itself ABOUT the display or the control knob.

IMPORTANT: In order to be able to use the APP to start a stove fitted with rotary control and LED display, the rotary control must be set to at least 3 o'clock.

Delay timer

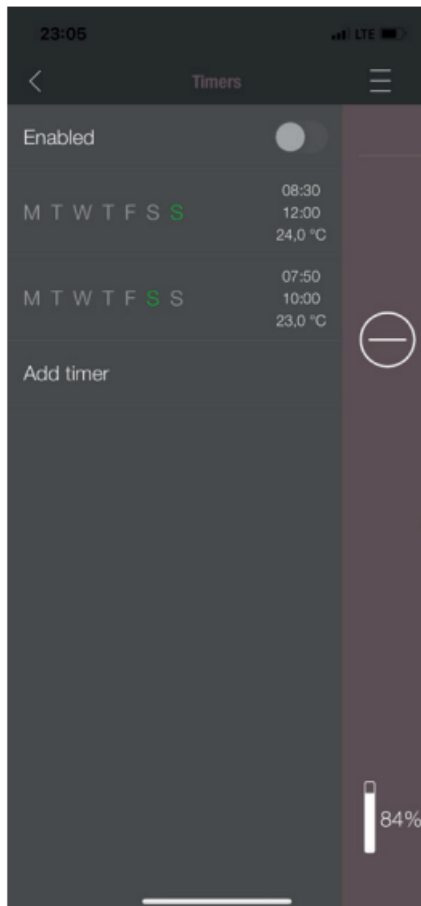
The delay timer is a "one-shot timer". This means the stove is only started or stopped once when this delay timer is activated. The stove can be started or stopped either after the desired set time or at a specific point and on a specific date in the future.

9.1.6.6.3 Other APP menus



The following submenus are available in MENU settings:

- Timers
- Settings
- Time and date
- Eco-mode
- About
- Service Information
- Logs
- Logout

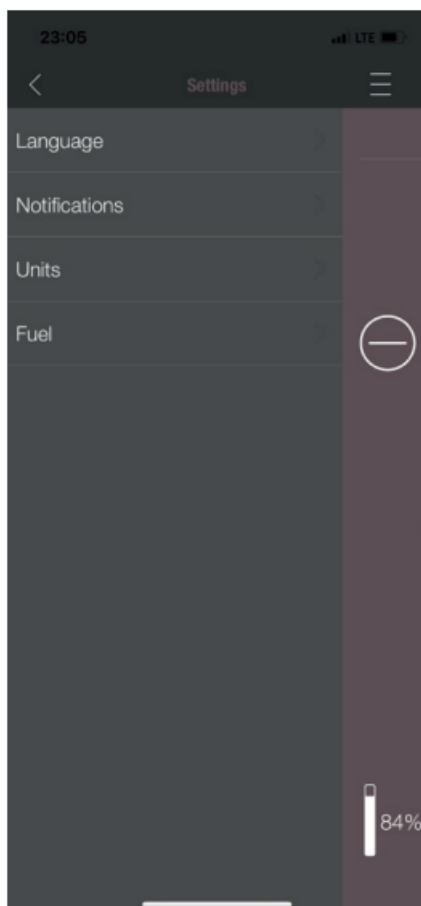


Timers

This can be used to set daily- and weekly programmes for the heating appliance. The specified heating times are easy to activate and deactivate. Entirely as required. The saved heating times can be easily changed and new heating time requests can be easily added.

NOTICE

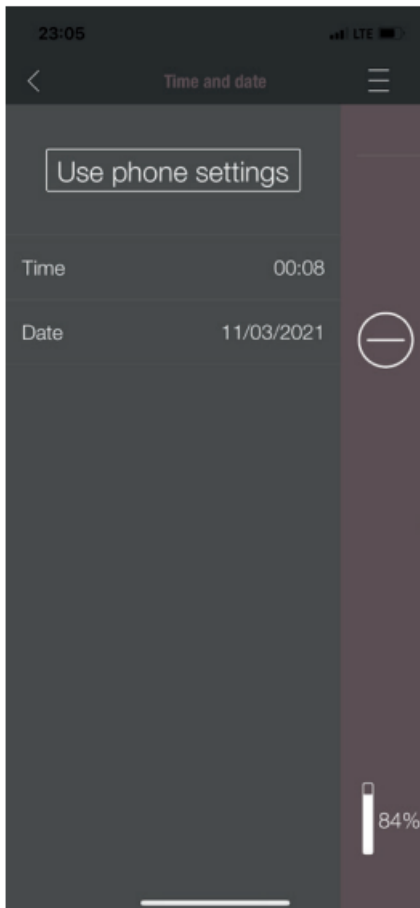
The current operating software on your stove has a "frost protection mode". This is only active when the TIMERS MODE is activated.



SETTINGS

This menu allows the following settings to be made:

- **LANGUAGE:** The language displayed can be changed.
- **MESSAGES:** The display of error- and warning messages during the stove's operation can be activated or deactivated.
- **UNITS:** On iOS SMART DEVICES the temperature display can be set in °C or °F.
- **FUEL:** The fuel level display can be activated or deactivated here. On some models the stove output can also be adjusted here for variable pellet quality.



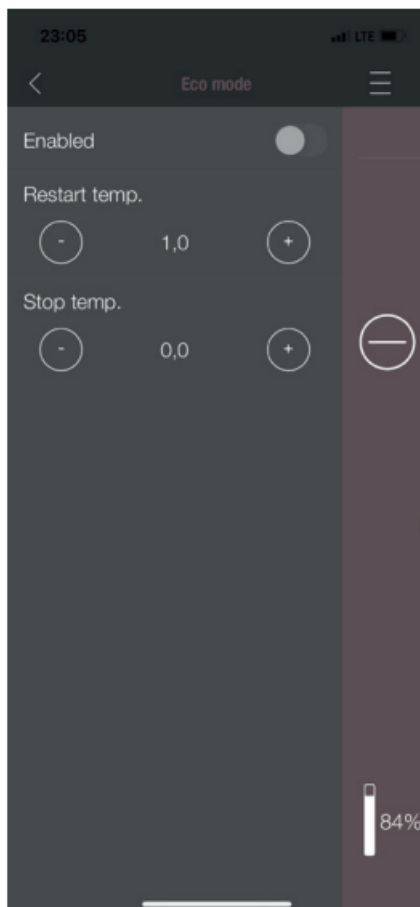
TIME AND DATE

The correct entry of time and date is vital for the TIMER FUNCTION and the STATISTICS DISPLAY.

The time and date can be

- stored either
- manually or automatically

via the telephone settings.



ECO-MODE

When ECO-MODE is activated, the heating appliance starts and stops automatically as soon as the specified temperature limit values are reached.

Example:

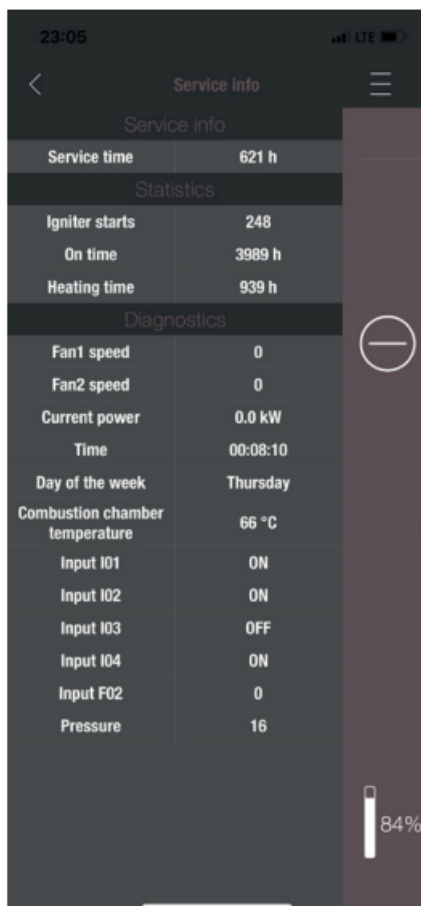
- The desired room temperature is 23 °C.
- The shut-off temperature is set at 0.6 °C.
- The restart temperature is 1.0 °C.

In this example the heating appliance will stop operating at a room air temperature 23.6 °C and start again at a room air temperature of under 22.0 °C.



ABOUT

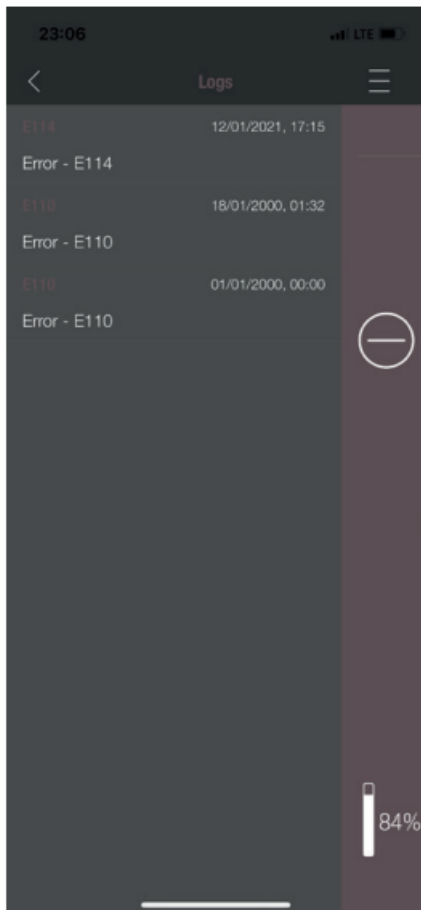
The ABOUT MENU shows the APP-, the WLAN Box-, the CONTROLLER software version and the operating software version of the heating appliance. The MAC address and strength of the WLAN signal can also be read. For optimum operation of the WiRCU box, it is important that the value is between -10 dBm and -80 dBm. To achieve the best possible signal reception, position the WLAN router close to the WLAN Box.



SERVICE INFO

This menu gives you the following information:

- SERVICE INFO displays the time remaining until the annual service.
- STATISTICS displays the number of stove ignitions, the network hours and the operating hours.
- The operating status of the heating appliance can be viewed under DIAGNOSIS. The current operational status of all control outputs (e.g., motors, ...), all control inputs (e.g.: temperature control devices, etc.) are displayed here. The displayed information is extremely useful for the AUSTROFLAMM SERVICE ENGINEER in the event of malfunctions.



LOGS

Errors occurring are logged here in chronological order. This information is extremely valuable for the AUSTRO-FLAMM SERVICE ENGINEER when resolving malfunctions.

10 Installation

Installation should only be carried out by an Austroflamm service engineer or an authorised specialist company.

Please observe the regionally applicable safety and construction regulations and contact your master chimney sweep in this regard.

11 Operation


11.1 Requirements for operation

External combustion air supply

Every combustion requires oxygen. This is drawn from the environment of the heating appliance.

In modern buildings the outside covering is very thick. Therefore there is an insufficient flow of fresh combustion air. In such cases the supply of external combustion air is necessary. This is required even with the use of aeration and ventilation systems in the home.

NOTICE

The combustion air connection is marked on the rear of the appliance with a supply air symbol .

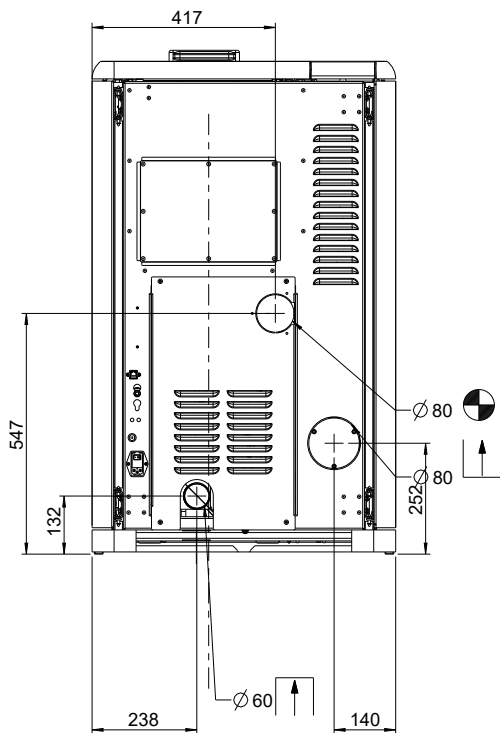


Fig. 45: Dimensions

On some appliance models, connection via the floor is also possible.

A pipe or hose of $\varnothing 80$ mm must be used for connecting the external combustion air supply. If the length of the pipe is more than 2 m, the diameter should be at least 100 mm. The length of the pipe or hose should be no longer than 3 m. This supply line must have no more than three bends.

When directly connecting to the outer wall, attention must be paid to formation of condensation and protection from the wind at the inlet.


Lack of combustion air causes poor combustion, and increased soot formation and volume of ash.

Connection to the chimney

The information in this manual is of a general nature. National and European standards, local and building regulations, together with fire regulations must also be complied with.

The stove must be connected to a chimney approved by the chimney sweep. Penetration of condensation into the stove must be avoided.

NOTICE

The flue pipe connection is marked on the rear of the appliance with an exhaust gas symbol .

The flue pipe connection must be executed in accordance with the technical data sheet. For any questions please contact your dealer.

- The chimney must be designed in accordance with the stove's technical data (see Technical data).
- The horizontal length of the exhaust pipe must not exceed 2.5 m.
- A maximum number of 3x90° bends must not be exceeded. Each bend must have a cleaning aperture.
- The chimney must be resistant to condensation.
- The chimney must provide at least 3-12 Pa draught in order to be able to adequately draw off exhaust gases even in the event of a power failure.
- Austroflamm GmbH accepts no liability or responsibility for the connection of our heating appliances to shared exhaust pipes/chimneys - multiple occupancy. For more information consult a chimney sweep and check your national, regional and local building regulations.

Electrical connection

11.2 Operating modes

11.2.1 Pellet operation



Fig. 46: Automatic ignition



Fig. 47: Pellet operation

Automatic ignition

The stove can be started with the start/stop button on the status display or heat output display.

As an option it can be started via IR remote control or via the app. Ignition of the pellets is fully automatic and takes place in several phases. These phases are shown on the display

- Riddling grate placement - combustion pot filling - ignition phase 1
- Firebox temperature build-up - ignition phase 2
- Ignition control - ignition phase 3
- Pellet operation - full fire phase

Ignition is cancelled by pressing the start/stop button during the ignition phase. An "E102" error message appears if ignition is cancelled.

Pellet operation

In pellet operation, pellet quantity and combustion air are supplied according to the set heat output.

The desired room temperature must be set in the room temperature display. If this is reached, the stove automatically regulates to the lowest output level or switches OFF if the ECO function is enabled (see Settings/ECO mode).

Pressing the stop button switches the stove into burnout phase.

The current room temperature is measured using a cable-attached temperature sensor on the back of the appliance.

In pellet operation, a fluctuating chimney draught or increasing contamination of the exhaust gas pipes is automatically balanced by the exhaust gas fan.

12 Commissioning

12.1 First start-up

For the initial commissioning of your pellet stove you will be assisted by an authorised Austroflamm service engineer. In the process he will show you the correct operation and the functions of the appliance. He will also inform you of options for your stove, e.g. WLAN OPTION, wireless SMARTSPOT for adjusting the desired room temperature.

The following settings are carried out during the initial commissioning.

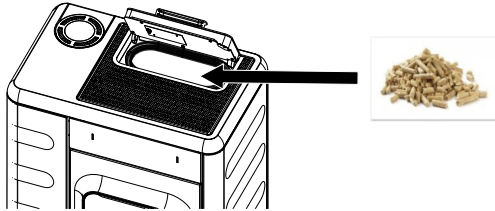


Fig. 48: Fill pellets

✓ The pellet stove must already be connected to the chimney. Sufficient combustion air must be supplied.

- 1) Remove the accessories from the pellet hopper and the firebox.
- 2) Fill the hopper with pellets and close the hopper lid.

NOTICE

In certain models a safety switch monitors the proper closing of the hopper lid and warns the user if it is open.

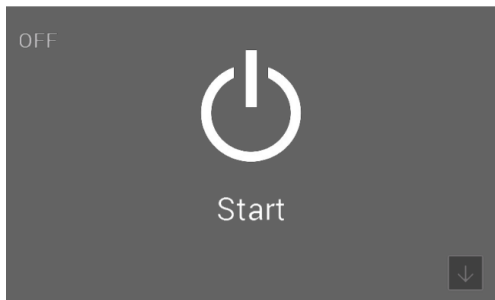



Fig. 49: Start pellet stove

- 3) Insert power cable and set tumbler switch on the back of the pellet stove to "I".
 - ⇒ The Austroflamm logo will now appear on the display.
 - ⇒ This is followed by the main operating level with temperature displays and hopper level.
- 4) The auger shaft must be filled before the first start-up.
 - ⇒ To fill up the auger shaft, on the display, start up the pellet stove.
 - ⇒ As soon as the riddling grate is closed (approx. 90 seconds) the auger shaft automatically fills up.
 - ⇒ As soon as the first pellets fall into the combustion pot (approx. 6 minutes), "Start" can be manually cancelled.
- 5) The automatic start is cancelled by pressing the Stop button on the display.



Fig. 50: Error E102

- 6) This is followed by error message E102.
 - ⇒ Automatic ignition has been manually cancelled.
- 7) Reset error E102.

⇒ Close the error display by tapping .

- 8) Check whether the riddling grate opens again.
 - 9) After the riddling grate is completely open, the pellet stove can be started. See **Automatic Start**.
- ⇒ The filling up of the auger shaft is completed.

Automatic start

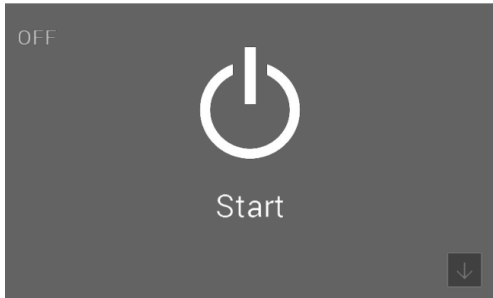


Fig. 51: Start pellet stove

- 1) To start the pellet stove, press "Start" on the display.
 - ⇒ After the riddling grate is closed (approx. 90 seconds) the fully automated start begins. This takes around 10 minutes. After that the stove burns at the particular heat output that was set.

The stove body, many steel and cast-iron parts and the flue pipes are painted with heat-resistant paint. During the 1st start-up the paint is dried up by the ensuing temperature and in the process dries. This leads to the development of an odour. During this phase, please avoid touching the painted surfaces and ensure that the room is well aired.

For a rapid hardening of the paint we recommend operating the stove on its initial commissioning for 3-4 hours at the highest output level.

12.1.1 Setting time and date

The time and date are set via the display in the **Settings** menu - under the **Time** or **Date** sub-item. Entry of the current time and date is important. They are requirements for the saved HEATING TIMES working properly and the controls saving in a log the time of any malfunctions that occur. This means that in the event of an error the cause of a problem can be found and resolved.

12.1.2 Setting the fuel quality

The quality of the pellets is governed by a European standard. This standard means that 1 kg of pellets possesses a heat output of min. 4.6 kWh to approx. 5.3 kWh. The wide range of heating output makes it sometimes necessary for your pellet stove to be adjusted to the pellet quality that you use.

This is set via the display. The settings are made by an Austroflamm service technician.

- Fuel quality "1" corresponds to the best possible quality.
- Fuel quality "3" corresponds to the poorest quality.
- Ex factory your pellet stove is set to fuel quality "2".

12.1.3 Statistics function

Entering the current time and date activates the statistics function in your pellet stove's controls. The statistics function delivers on request all the data on consumption, operating time, heating output called up and the room temperature reached when the pellet stove is being operated.

This data is displayed for the current day of operation, the past day, the current week, the previous month, the previous 3 months, the previous 6 months, the previous year and from the date of the initial commissioning.

The data can be accessed via the display.

12.1.4 Timer function (heating times)

This function can be set via the display or via the WLAN module in conjunction with the Austroflamm pellet control APP. A maximum of 6 heating times per week and 3 heating times per day can be set and saved.

For further information see the section Function - setting timers and heating times [▶ on page 83].

NOTICE

If at the point of the set timer "Start" the currently recorded room temperature is higher than the set room target temperature, the pellet stove will not switch on. It will only switch on when the room temperature has fallen below the desired room target temperature value.

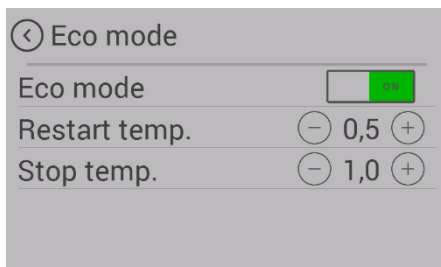
12.1.5 Service due

Your pellet stove must be regularly maintained. The requirement to be serviced is determined by a built-in operating hours counter. The operating hours can be read via the display.

After the maintenance-free operating time has run out you will receive the alarm message **A002**. After the appearance of this alarm message the pellet stove may continue to be operated for a short time. However, call your authorised Austroflamm service engineer promptly for the purpose of carrying out the required service. As part of the service the pellet stove is thoroughly cleaned and the operating hours counter rest to 0.

Servicing falls due after a number of hours specific to the appliance has been reached, but at least 1x annually in order to **GUARANTEE THE WARRANTY!**

12.1.6 Setting modulation / ECO mode



You can operate your pellet stove either in modulation mode or in ECO mode.

In "modulations mode" (ECO mode is disabled), on reaching the desired room target temperature your pellet stove reduces the heat output incrementally down to the lowest heating output stage. But despite reaching the desired room temperature it does not switch off. If the desired room target temperature is fallen below with the reduced heating output, the pellet stove begins to work again with the heating output that was originally set.

Your stove is supplied by default in modulation mode.

Eco-mode enables the stove to be automatically turned off and on at certain temperature settings specified by you.

You can set the switch-off and restart temperature in the eco-mode menu item.

To prevent starting / stopping too frequently, the temperate limits must not be set too narrowly. The pellet stove needs to burn for about 1 hour before switching off in order to come to the operating temperature.

As a standard setting we recommend a restart temperature of 1.0 °C and a switch-off temperature of 0.6 °C.

13 Operation

13.1 Operation using APP and Smartphone



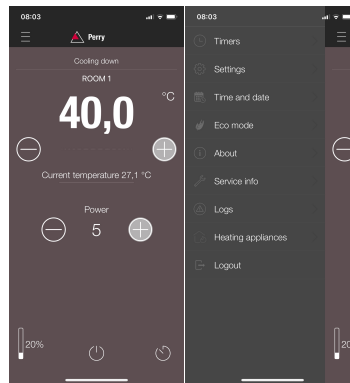
Fig. 52: Apple iOS QR code



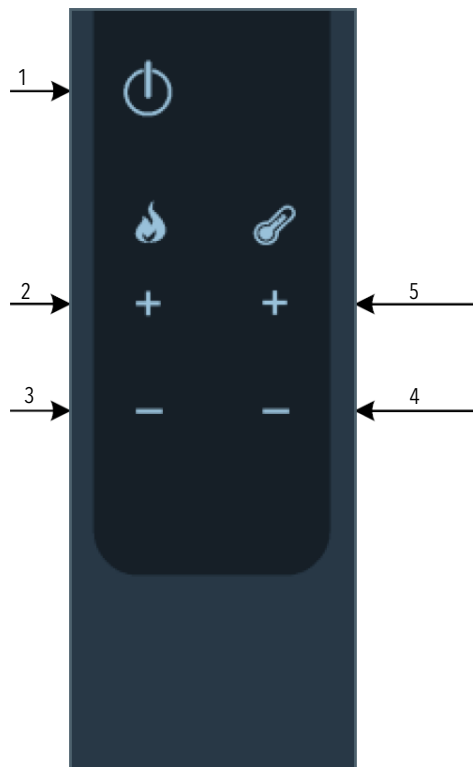
Fig. 53: Google Play / Android QR code

Please refer to the manual for your WLAN module for instructions on installing and setting up the data connection, or follow the installation instructions for the Austroflamm PelletControl app.

Download the required "Austroflamm PelletControl" app here and then start:



13.2 Operation using IR remote control



Optionally, your hybrid stove can also be operated with the IR remote control. This makes the following functions available to you:

Make sure that there is a line of sight between the remote control and the control panel.

Fig. 54: IR remote control

1 On / off	2 Output level +
3 Output level -	4 Target temperature -
5 Target temperature +	

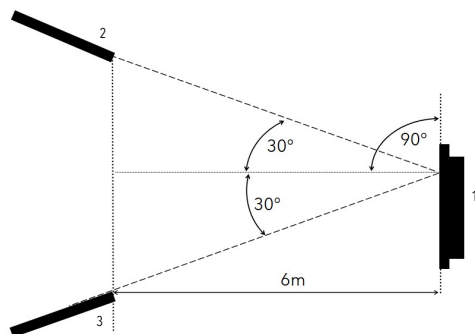


Fig. 55: Operating angle

1 Display	2 IR remote control
3 IR remote control	

13.3 Operation using touch display

13.3.1 Display - room temperature display, various functions

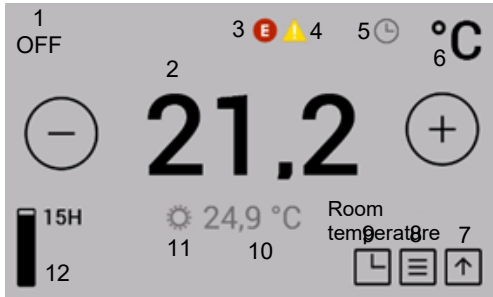


Fig. 56: Room temperature display, various functions

1 Stove operating condition	2 Target temperature
3 Error	4 Warning
5 Timer enabled	6 Temperature unit
7 to start screen	8 Menu with heat output settings
9 Delay timer	10 current room temperature
11 SmartSpot is connected	12 filling level indicator

You can switch to the relevant setting or function by pressing the corresponding symbol.



The desired target temperature can be set between 5°C and 40 °C by pressing the buttons in 0.2°C increments. The setting is immediately applied. The current room temperature is by default measured at the black room temperature sensor on the back of the appliance.



The error- and warning symbols are only displayed when there is an error or a warning. The error is displayed in detail by tapping the symbol.



The "Heating time enabled" symbol is only displayed if heating times are programmed in the timer menu.



The optionally available SmartSpot - a wireless Wireless room temperature sensor - (Bluetooth) - works in the stove.

Room temperature - By pressing the room temperature, you can access "Firebox temperature"

13.3.2 Display - heat output display, other function menus

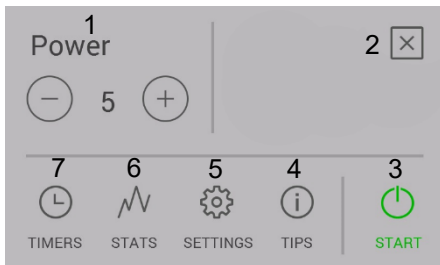


Fig. 57: Heat output display

1 Heat output level	2 back to main screen
3 Start / stop function	4 Tips
5 Settings	6 Statistics
7 Heating times	

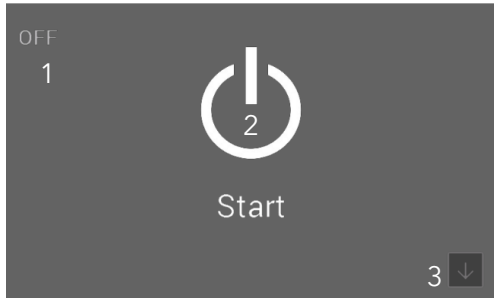
You can switch to the relevant setting or function by pressing the corresponding symbol.



The desired heat output can be set by pressing the buttons. This setting is immediately applied.

The stove is started or stopped by pressing the start / stop button for longer than 2 seconds.

13.3.3 Display - status display



The stove is started or stopped by pressing the start / stop button for longer than 2 seconds.

Fig. 58: Status display

1 Status line	2 Start / stop function
3 Room temperature display	

13.4 Functions

13.4.1 Function - filling level indicator



The filling level indicator keeps you informed of the filling level of your pellet hopper. If the filling level falls below a certain level, a warning is shown on the display. Each time that the hopper is filled, the filling level must be manually updated.

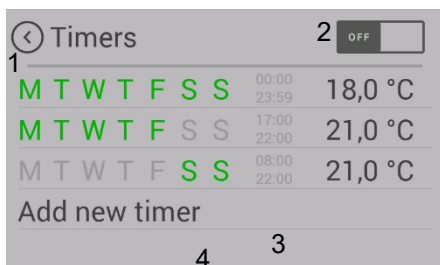
Completely emptying the hopper should be avoided, since the flame will otherwise go out unintentionally and you will have to manually fill the screw conveyor before the next pellet start.

The filling level indicator is calculated on the basis of the size of your stove's pellet hopper and the particular operating time. Correct functioning can only be guaranteed when the hopper is always completely filled and the display is set at the same time to "FULL".

Press the filling level symbol in the room temperature display to set the display to "FULL".

This function can be disabled in the "Menu item: Fuel"

13.4.2 Function - setting timers and heating times



Switch to "OFF" (2) in the "Heating times" menu.

Pressing the "TIMERS" button in the heating output display takes you into the "Heating times" menu.

Enable heating times by pressing "ON" in the top right corner of the display.

A maximum of 3 heating times per day can be saved. A total of 6 different heating times can be saved.

Fig. 59: Heating times

1 Back	2 Enable heating times
3 Edit heating time	4 Create new heating time

Set heating times can overlap one another.

If individual heating times overlap, if different temperatures are specified then the heating time with the higher target temperature is enabled.

Example of heating times for a whole week:

	Weekday	Times	Temp.
TIMER 1	Monday - Sunday	00:00 - 23:59	18°C
TIMER 2	Monday - Friday	06:00 - 08:00	22°C
TIMER 3	Monday - Friday	17:00 - 22:00	22°C
TIMER 4	Saturday - Sunday	07:00 - 22:00	22°C

Please note: Only 3 heating times may be set per weekday.

	00	01	02	03	04	05	06	07	08	09	10	11	12	13	14	15	16	17	18	19	20	21	22	23	
Mo n			18°C				22°C						18°C							22°C				18°C	
Tu e			18°C				22°C						18°C							22°C				18°C	
We d			18°C				22°C						18°C							22°C				18°C	
Th u			18°C				22°C						18°C							22°C				18°C	
Fri			18°C				22°C						18°C							22°C				18°C	
Sat			18°C												22°C										18°C
Su n			18°C												22°C										18°C

13.5 Setting / editing new heating times

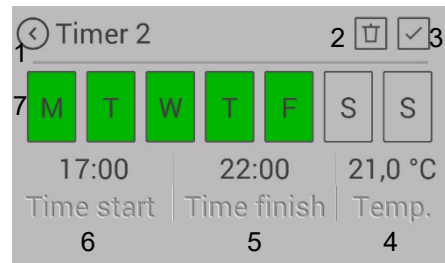


Fig. 60: Creating heating times

1 Back without saving	2 Delete heating time
3 Save	4 Target temperature
5 End of heating time	6 Start of heating time
7 Weekdays	

SETTING:

- 1) Set the weekdays, the start and end of the heating time and the room temperature accordingly.
- 2) Save the heating time by pressing the "Save" symbol.
 - ⇒ You will then be automatically taken back to the heating times list.

You can delete an existing heating time as follows:

- 3) Highlight the heating time and press the "Delete heating time" symbol.
 - ⇒ The timer function may only be enabled after the desired heating time has been set.

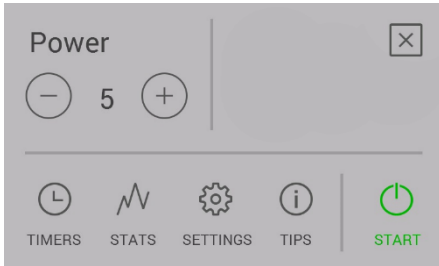
When setting heating times, please note the following: The timing must be in the future.

EDITING:

- 4) "Heating times" menu to "OFF" (2).
- 5) Set new heating times.
- 6) Switch "Heating times" menu to "ON" (2).

14 Adjustments

14.1 Display - settings



Pressing the "SET" button on the menu list takes you to the "Settings" menu.

You can now scroll up and down with the arrow keys.

Pressing the desired menu item switches you to that function.

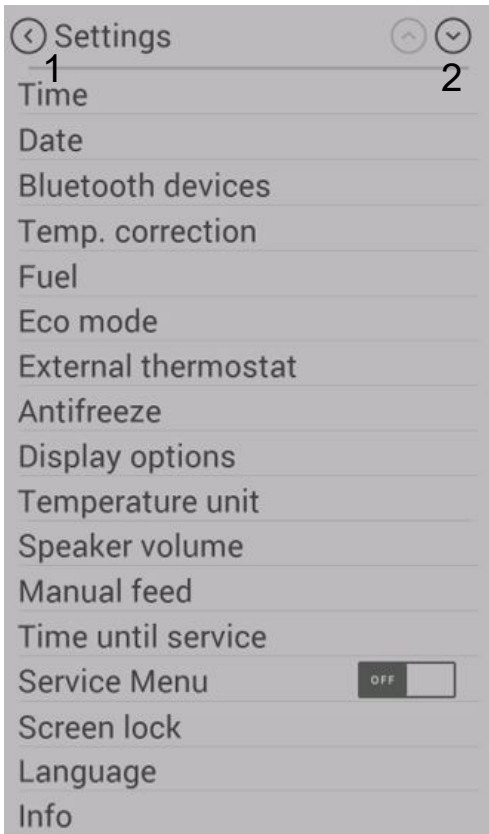


Fig. 61: Settings

1 Back	2 Scroll list
--------	---------------

14.2 Menu item - time/date



Fig. 62: Setting the time

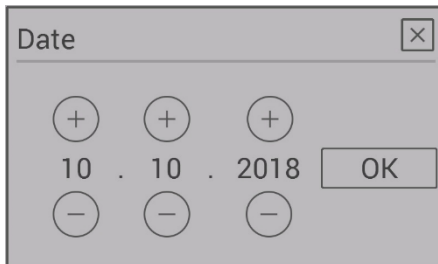


Fig. 63: Setting the date

Setting the time of day is necessary for the correct heating time, the statistics function and the logging of errors.

Set the hour, minutes, weekday, month and year and confirm the setting with OK.

14.3 Menu item - fuel



Fig. 64: Fuel

This submenu can be used to disable "filling level indicator".

When deactivated the bar on the display disappears.

There will be no warning when the filling level is low.

Set fuel quality.

- Ex factory your pellet stove is set to fuel quality "2".

14.4 Menu item - Bluetooth devices



The SMART SPOT wireless room temperature sensor is available as an option for your pellet stove. SMART SPOT works via Bluetooth technology. When used it must be enabled once with this menu item.

14.5 Menu item - eco-mode

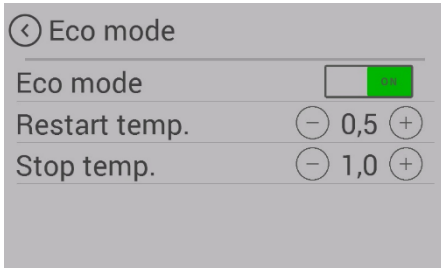


Fig. 65: Eco-mode

Activation of ECO mode can be set on the display or via the optional WLAN module using the Austroflamm Pelletcontrol APP.

When ECO mode is activated, the pellet stove switches off on reaching the desired room target temperature (plus a freely selectable temperature value/switch-off temperature value). When the room target temperature is fallen below (plus a freely selectable temperature value/restart temperature value) the pellet stove automatically switches back on again.

The "Restart temp." value specifies from what value below the set target temperature the pellet stove switches on again.

The "Switch off temp." value specifies from what value above the set target temperature the pellet stove switches off.

As a standard setting we recommend a restart temperature of 0.6 °C and a switch-off temperature of 1 °C.

14.6 Menu item - external thermostat

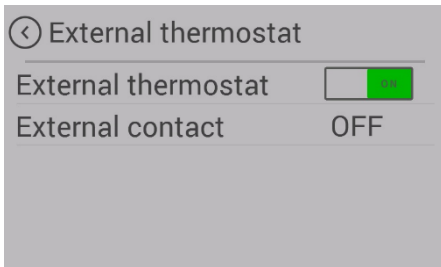
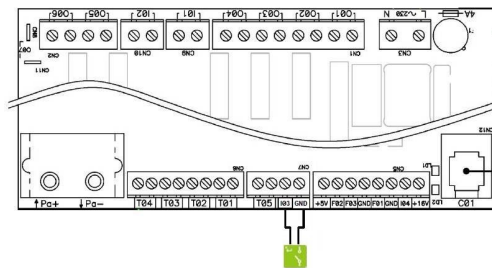


Fig. 66: External thermostat

The stove can optionally be controlled by an external thermostat.

- 1) For this purpose, connect the potential-free contact of the thermostat to the main control at input "I03" & "GND".
 - ⇒ The 2-pin plug is optionally available (item no. 728151).
- 2) Then the function must be enabled in the menu Settings/External thermostat.
 - ⇒ The "External contact" display shows whether the external thermostat is switched ON or OFF.
 - ⇒ The stove will start/stop with a slight delay.
- 3) The external thermostat must be connected to the controls at the slots "I03" & "GND" (DC series).
 - ⇒ It applies the temperature control after enabling in the "External thermostat" menu item.

TIP

To enable the external thermostat, the stove must be manually started once after the thermostat has been installed.

14.7 Menu item - anti-frost



The anti-frost menu is used to automatically start the stove at a specified temperature. The menu only functions when the timer function is enabled (set in the timer menu).

- Timers OFF → ON.

If the room temperature falls below the anti-freezing set value (PAR102), the appliance starts up automatically.

For example:

- If the anti-freezing temperature is set to 7 °C (PAR102), the stove starts up automatically when the room temperature reaches 6.9 °C.

The stove switches off automatically when the room temperature climbs above the anti-freezing temperature (PAR102) + offset (0.5 °C or PAR53).

- If PAR53=0, the stove switches off automatically when the room temperature reaches 7.6 °C (>7 °C + 0.5 °C). 0.5 °C is a default value that is set in the software and which cannot be altered.

- If PAR53=20, the stove switches off automatically when the room temperature reaches 9.1 °C (>7 °C + 2.0 °C).

The stove will not modulate but will work at the previously set output level.

14.8 Menu item - display options

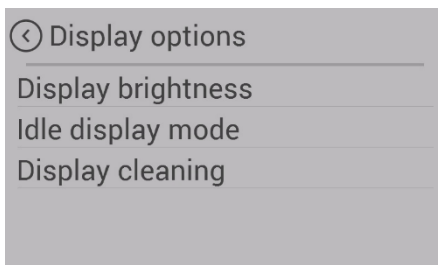


Fig. 67: Display options

The following display options are available.

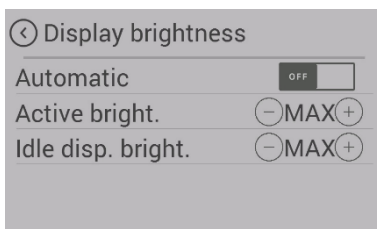


Fig. 68: Display brightness

Display brightness

Determines the display brightness during operation and during idle mode.

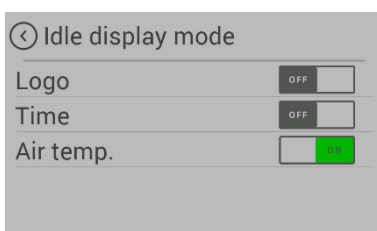


Fig. 69: Display Idle mode

Idle mode

If for 30 seconds nothing is pressed on the display, the display switches to the set Idle mode. If more than one choice is possible, the selection is displayed alternately.



Fig. 70: Display clean

Display clean

To ensure that when the display is being cleaned no function is unintentionally started, press "Start". The display is locked for 30 seconds. Works only when the pellet stove is off.

14.9 Menu item - temperature unit

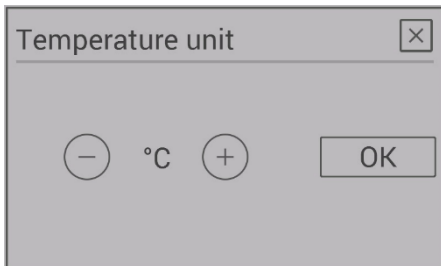


Fig. 71: Temperature unit

This menu item allows you to switch between displaying the temperature in "°C" (Celsius) and "°F" (Fahrenheit).

14.10 Menu item - volume



Fig. 72: Volume

Choose the volume for the key sound and for the signal sound of warnings and error messages.

Your appliance is supplied with standard volume 3.

14.11 Menu item - manual pellet feed

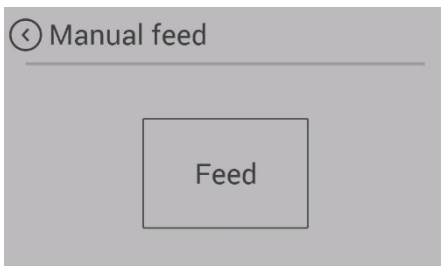


Fig. 73: Manual pellet feed

For filling the screw with pellets for the initial commissioning or after the spiral has run empty, you have the option of manual pellet feed.

If the screw conveyor is empty, the filling process can take up to 8 minutes.

On appliances with the combustion pot design, manual pellet feed can be enabled at any time.

On appliances with the riddling grate this function is only available after the START of the stove in ignition phase 2.

14.12 Menu item - service due

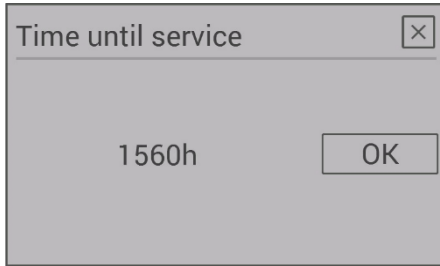


Fig. 74: Service due

Here you can see how many maintenance-free operating hours your stove still has before a service is required.

The service must be carried out by an authorised Austroflamm service engineer.

14.13 Menu item - service menu

This menu is reserved for the Austroflamm service engineer.

14.14 Menu item - display lock

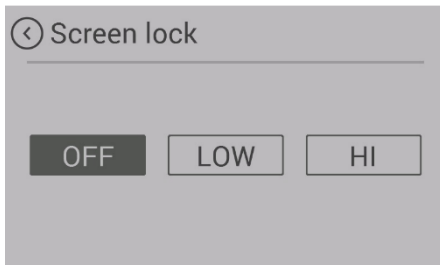


Fig. 75: Display lock

You have the option to restrict functions on the display ("Child safety").

LOW

Low lock level. Menu functions are disabled. The heat output can no longer be changed. The stove can however continue to started / stopped.

HIGH

The entire stove is locked. Starting and stopping are no longer possible.

In order to unlock again, switch back to the "Display lock" setting and disable the function.

14.15 Menu item - Language

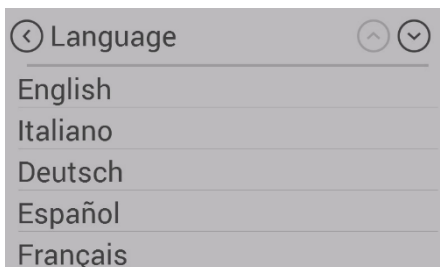


Fig. 76: Language

Choose the desired language on your control panel.

14.16 Menu item - Info

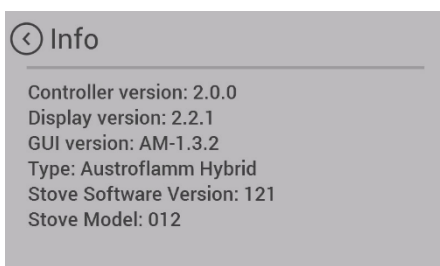


Fig. 77: Info

Hardware and software versions of the individual components are displayed here.

In case of servicing, please have the

- "Stove software version:" and the
- "Stove model no.:" ready.

14.17 Menu item - Heating statistics

⏪ Today	
Total consumpt.	0 kg
Heating time	0:00
Avg. power	0,0 kW
Avg. temperature	0,0 °C

Fig. 78: Heating statistics

Usage data is displayed in the heating statistics. This can be shown for different time periods.

14.18 Menu item - tips

⏪ Tips	⏩ ⏴
Small flame?	
Bad combustion?	
Stove doesn't stop?	
Info in idle mode	
Time to service	

Fig. 79: Tips

Here you can find important "tips" for the correct operation of your stove and answers to queries for possible problems.

14.19 Adjusting the firebox door

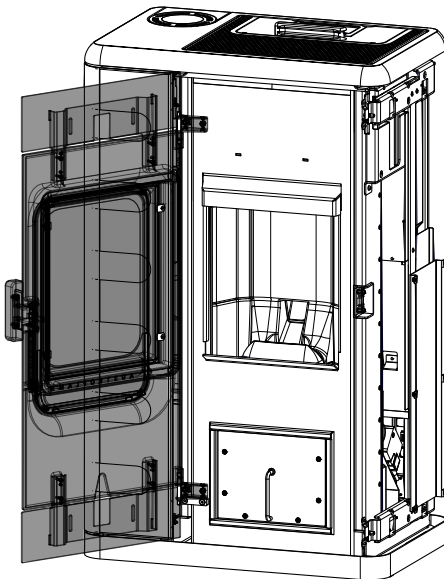
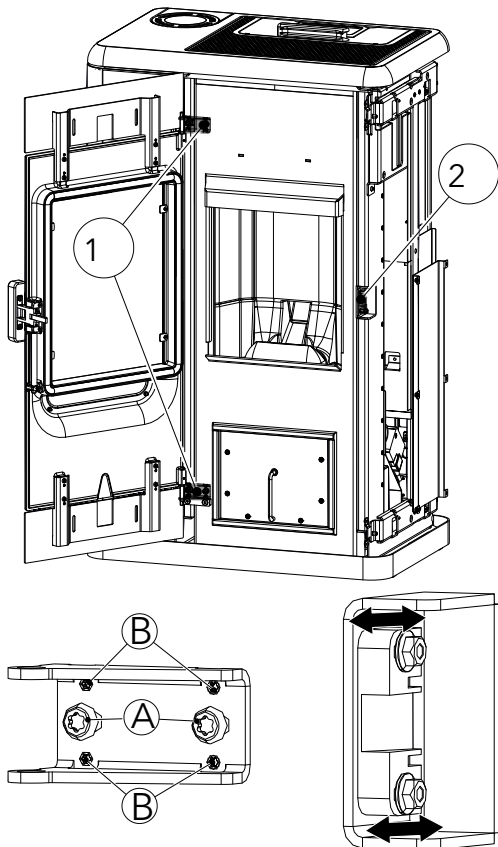


Fig. 80: Opening the door

- 1) Open the door.



2) The hinges (1) can be adjusted with the marked screws A + B.

⇒ A: left/right

⇒ B: forwards/backwards

3) The snap (2) can be adjusted forwards and backwards at the springs.

Fig. 81: Adjusting the firebox door

15 Maintenance

15.1 Intervals

Servicing falls due after a number of hours specific to the appliance has been reached, but at least 1x annually in order to **GUARANTEE THE WARRANTY!**

NOTICE

Only carry out maintenance when the pellet stove is cold and currentless.

Cleaning- and maintenance intervals depend on the operating hours and connection situation.

Cleaning the viewing window	as necessary
Visual inspection of riddling grate, remove adhering deposits	every 2-3 operating days
Empty the ash box and clean the firebox	as necessary
Clean the exhaust gas pipes	1 x annually or when display shows due for service
Cleaning screw shaft, pellet hopper	min. 1 x annually or when the pellet supply is visibly reduced and the STB turns off the heating appliance.
Replace the battery	Recommendation: every 2 years
Check all seals (door, heat exchanger lid, ash box, hopper lid); replace as necessary.	1 x annually

The pellet stove and its parts must be cleaned in compliance with the above overview.

Have your pellet stove inspected and maintained annually before the start of the cold season by an Austroflamm engineer.

15.2 Changing the storage battery

A CR2032 battery is located in the control unit. This battery enables the control unit to save certain data - e.g. time, date, heating times etc. even during a power failure, or when the mains power supply is disconnected.

If the battery is flat, the control unit will continue to function normally. However, in the event of a power failure, the above-mentioned data will be lost. These data must then be saved afresh.

Change the battery every 2 years, as follows:

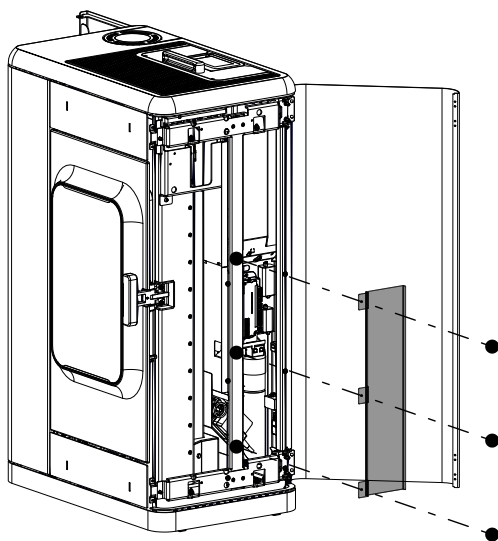


Fig. 82: Detaching the cover

Changing the battery:

- 1) "ON" switch. Control systems must remain switched on, as otherwise the data will be lost.
- 2) The battery is located on the central control unit. To replace it, the right-hand side cladding of the pellet stove must first be removed.

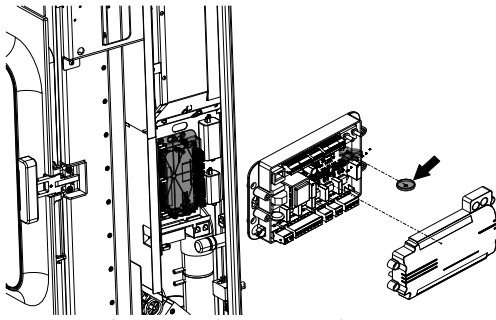


Fig. 83: Changing the storage battery

- 3) Then remove the cover of the control unit.
- 4) Use insulated pliers or a similar tool to remove the old battery from the holder.
- 5) Insert the new battery, taking note of the correct polarity.
- 6) Reattach all covers.

15.3 Service due

Your pellet stove must be regularly maintained. The requirement to be serviced is determined by a built-in operating hours counter. The hours of operation performed can be read off via the engineer display of your Austroflamm service engineer or via the optional WLAN module with the pellet control APP.

After the maintenance-free operating time has run out you will receive the alarm message **A002**. After the appearance of this alarm message the pellet stove may continue to be operated for a short time. However, call your authorised Austroflamm service engineer promptly for the purpose of carrying out the required service. As part of the service the pellet stove is thoroughly cleaned and the operating hours counter reset to 0.

16 Cleaning

16.1 Cleaning the pellet stove, flue gas paths and flue pipe

The pellet stove, the flue gas paths and flue pipes should be annually if not even more often, e.g.

- after the chimney has been cleaned,
- checked for deposits and
- cleaned as necessary.

To clean the inner compartment, ash and soot residues must first be removed. Coarse dirt and ash residues must be manually removed with a shovel and a brush or an ash vacuum cleaner. A dedicated ash vacuum cleaner is particularly suitable for removing ash residues.

Alternatively, there is the option of sucking up the ash using an ash filter that can be connected to a standard vacuum cleaner.

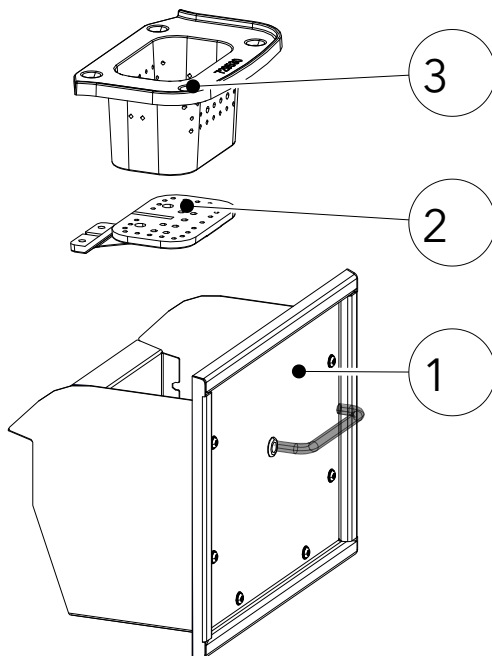
TIP

The chimney must likewise be regularly cleaned by the chimney sweeper. Your master chimney sweep will inform you of the necessary intervals. The pellet stove should be inspected annually by a specialist

NOTICE

Carry out any cleaning work while the pellet stove is in the cold state.

16.2 Stove models with automatic riddling grate



On pellet stove models with automatic riddling grate (2), each time the stove stops the combustion residues on the riddling grate are tipped into the ash box (1). The ash box must be emptied as required. Cleaning only when the pellet stove is switched off and cold.

The collection of fly ash in the combustion chamber (3) is normal and should be vacuumed out per week of operation.

The combustion pot and the riddling grate must be inspected every 2-3 days of operation for adhering deposits and cleaned with a wire brush.

Fig. 84: Cleaning the riddling grate

16.3 Cleaning the exhaust gas pipes

- 1) Remove chimney pipes.
- 2) Brush or vacuum soot and dust in the chimney pipes.
- 3) Remove top cover.

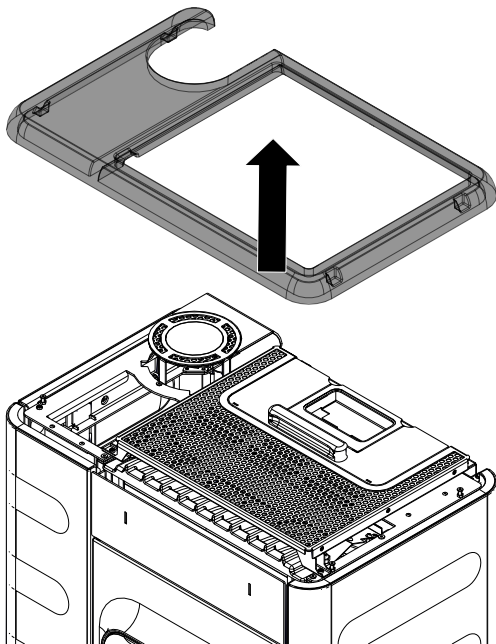


Fig. 85: Removing the cover

- 4) Loosen the screws from the cover on the left and right.

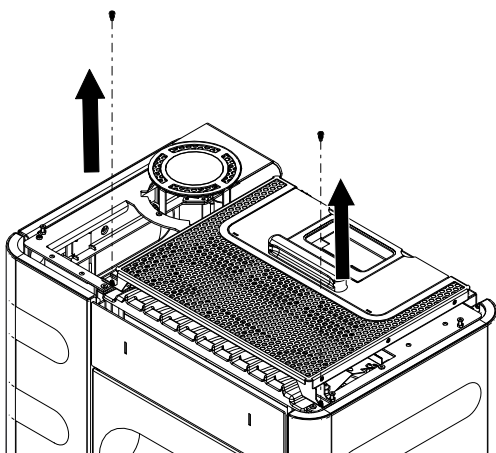


Fig. 86: Loosening the screws

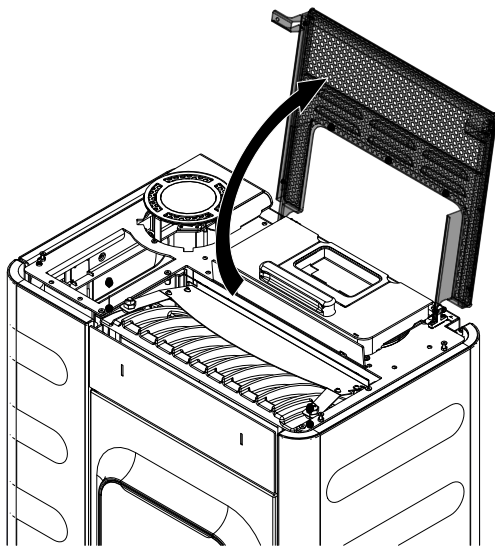


Fig. 87: Opening the cover

5) Open cover.

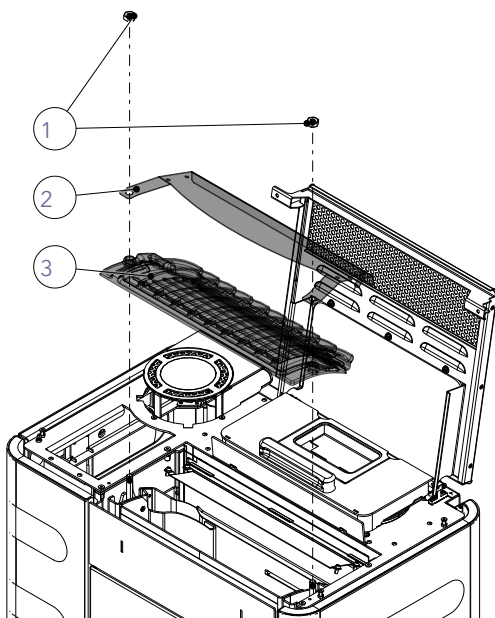


Fig. 88: Removing sheet metal heat deflector and cast iron top plate

- 6) Loosen hexagon nuts (1).
- 7) First remove the sheet metal heat deflector (2).
- 8) Then remove the cast iron top plate (3).

NOTICE

Do not damage the seals.

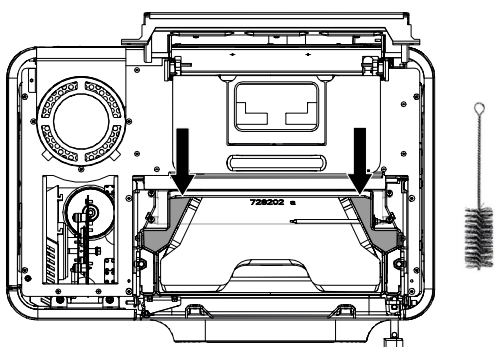


Fig. 89: Cleaning the cavity

9) Clean the coloured cavity with a brush.

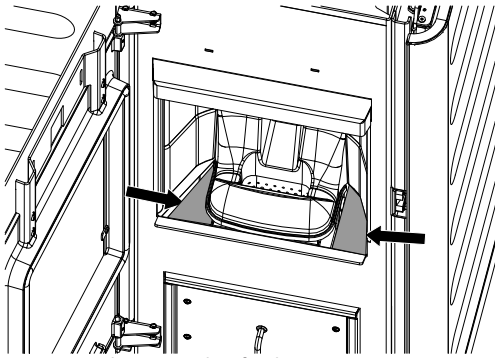


Fig. 90: Cleaning the firebox

- 10) Open door and clean the firebox with a vacuum cleaner.

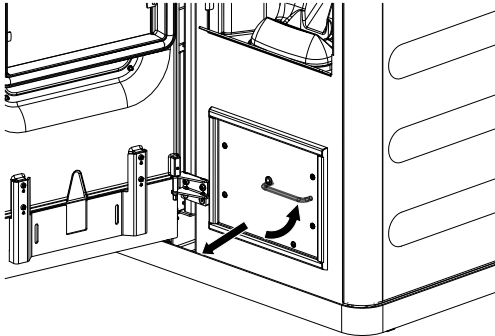


Fig. 91: Taking out the ash box

- 11) Turn lever upwards and take out the ash box.

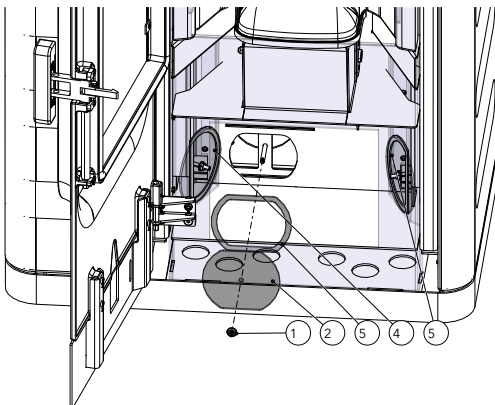
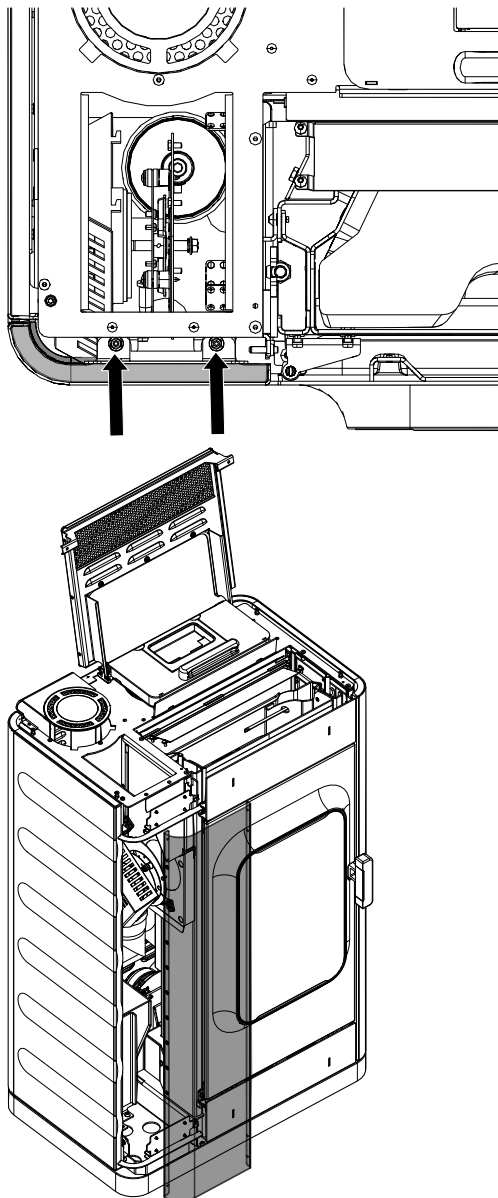


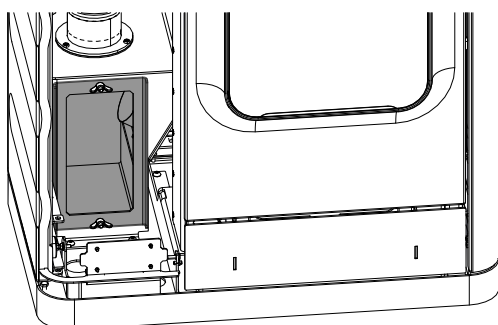
Fig. 92: Taking out inspection blank

- 12) Loosen nuts (1).
- 13) Take out inspection blank (2) and gasket (3).
- 14) Clean interior space with a vacuum cleaner.
- 15) Repeat these steps for the other two inspection blanks (4+5).
- 16) After cleaning, attach and install all parts again.



- 17) Loosen the screws of the front cladding and lift off the cladding.

Fig. 93: Removing the front cladding



- 18) Remove flush-mounting cover and use a vacuum cleaner to clean the interior space of the flue gas distributor.
19) Reattach and mount all parts on to the pellet stove again.

Fig. 94: Removing flush-mounting cover

16.4 Cleaning the door window

During cleaning and maintenance, the glass must also be cleaned. If it is not regularly cleaned then the soot particles may end up being burned in. This makes regular maintenance all the more important.

- We recommend cleaning the glass with our Austroflamm glass cleaner or a commercially available window cleaner.
- Spray window with glass cleaner and leave it for a moment to take effect.
- Use a cloth or kitchen paper to wipe off.
- Prevent door- or window seals from coming into contact with water or cleaner, since these will otherwise harden and in doing so lose their function. Only intact seals ensure that your fireplace insert functions flawlessly.

This will damage the pane

Abrasive cleaning agents or coarse scouring cloths should not be used for cleaning as the glass as they can cause scratching. This does not only affect the appearance, but at the same time light dust and dirt can also accumulate in the scratches.

16.5 Cleaning surfaces

- Surfaces can be cleaned with a dry or slightly damp cloth.
- Use of alcohol- or solvent-based cleaning products is to be avoided.
- Varnished surfaces may only be cleaned with a soft cloth (if necessary damp).
- Soak up dissolved dirt with absorbent cloths or household paper.
- For stainless steel surfaces there are also special cleaners.

17 Help

17.1 List of alarms and errors

Alarms are displayed on the control panel in yellow. When an alarm is displayed the pellet stove can continue to be used.

Errors are displayed in red. When errors are displayed, the pellet stove is not ready for operation.

Warning code	Description	Possible cause	Solution
Alarm - A001	Fuel level low	<ol style="list-style-type: none"> 1. The fuel level is low. 2. The filling level indicator was not reset to "FULL" after topping up. 	<ol style="list-style-type: none"> 1. Top up pellets and reset the filling level indicator to "FULL". 2. Set filling level indicator to "FULL".
Alarm - A002	Maintenance required		Maintenance by service engineer required.
Alarm - A004	Storage battery dead	The storage battery has been used for more than 2 years and not replaced.	Change control storage battery (CR2032). The battery must be changed every 2 years as part of a service.
Error - E004	Communication error	Communication error between controls and display.	Check data cable plug connections on the rear of the stove.
Error - E101	Ignition phase 3 failed	<ol style="list-style-type: none"> 1. The pellet hopper is empty. 2. Lower-quality or old pellets. 3. The screw conveyor is blocked. 4. Firebox temperature sensor faulty or incorrectly connected. 	<p>ATTENTION: Only carry out when stove is cold!</p> <ol style="list-style-type: none"> 1. Check whether there are pellets in the pellet hopper and in the screw conveyor, and top up pellets if necessary. 2. Replace the pellets. 3. Please contact your Austroflamm dealer. The screw conveyor needs cleaning. 4. Please contact your Austroflamm dealer. The firebox temperature sensor must be replaced or correctly connected. <p>Empty the combustion pot, reset the error and restart the stove.</p> <p>Should the error persist, please contact your Austroflamm dealer.</p>

Warning code	Description	Possible cause	Solution
Error code			
Error - E102	Automatic ignition failed. Negative pressure too low	<ol style="list-style-type: none"> 1. The automatic Ignition has been manually cancelled. 2. Pellet stove leaking. 3. Supply air pipe, combustion pot, riddling grate, flue gas paths or flue pipe contaminated. 4. Negative pressure too low. 5. The exhaust gas fan is defective, disabled or contaminated. 	<p>ATTENTION: Only carry out when stove is cold!</p> <ol style="list-style-type: none"> 1. Empty the combustion pot, re-set the error and restart the stove. 2. Check whether the firebox door and ash box door are properly locked, whether the pellet hopper lid is closed and whether the seals are worn or damaged. 3. The affected components must be cleaned. 4. Please contact your Austroflamm dealer. 5. Please contact your Austroflamm dealer. <p>Empty the combustion pot, reset the error and restart the stove. Should the error persist, please contact your Austroflamm dealer</p>
Error - E105	Software error		Please contact your Austroflamm dealer. The software must be reinstalled.
Error - E107	Firebox temperature sensor defective	Firebox temperature sensor faulty or incorrectly connected.	Should the error persist, please contact your Austroflamm dealer. The firebox temperature sensor must be replaced or correctly connected.
Error - E108	Safety temperature limiter (STL) triggered or defective		Please contact your Austroflamm dealer to find out why the STL has been activated.
	Broko triggered (mandatory for multiple occupancy)		In this case contact the Broko manufacturer (www.broko.de) or your authorised specialist dealer.
Error - E109	Hopper lid open riddling grate not closed		Close hopper lid. Check and clean the riddling grate. Should the error persist, please contact your Austroflamm dealer.
Error - E110	Room temperature sensor defective	Room temperature sensor faulty or incorrectly connected.	Should the error persist, please contact your Austroflamm dealer. The room temperature sensor must be replaced or correctly connected.
Error - E113	Firebox temperature too high	Exhaust gas fan and flues are blocked.	ATTENTION: Only carry out when stove is cold!

Warning code	Description	Possible cause	Solution
Error - E114	Ignition phase 2 failed firebox temperature too low (pellet operation)	1. The pellet hopper is empty. 2. Lower-quality or old pellets. 3. The screw conveyor is blocked. 4. Firebox temperature sensor faulty or incorrectly connected.	<p>ATTENTION: Only carry out when stove is cold!</p> 1. Check whether there are pellets in the pellet hopper and in the screw conveyor, and top up pellets if necessary. 2. Replace the pellets. 3. Please contact your Austroflamm dealer. The screw conveyor needs cleaning. 4. Please contact your Austroflamm dealer. The firebox temperature sensor must be replaced or correctly connected.
Error - E115	Software error or controls defective		Please contact your Austroflamm dealer. The software must be reinstalled or the controls must be replaced.

17.2 Resetting alarm and error messages

In the event of a warning or error a yellow or red message with the description is displayed.

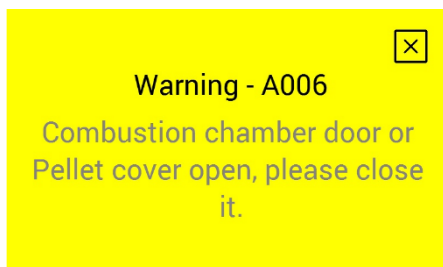



Fig. 95: Warning

- 1) To close the warning display, tap .
 - ⇒ Closing the display does not reset the warning.
 - ⇒ To reset the warning, the problem must be resolved.
 - ⇒ However, the stove can continue to be operated despite the warning display being active.

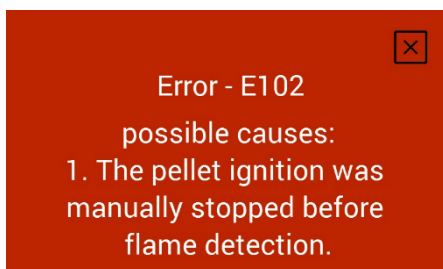

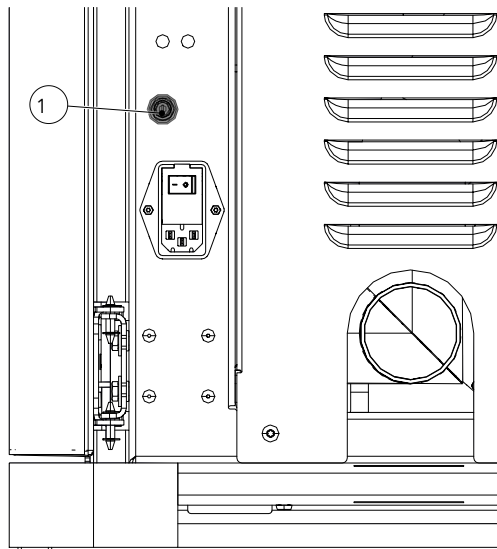


Fig. 96: Error

- 2) Close the error display by tapping .
 - ⇒ Closing the display does not reset the error.
 - ⇒ To reset the error, the problem must be resolved.
 - ⇒ When an error occurs, the stove cannot be operated.

17.3 Safety temperature limiter



Your pellet stove is fitted on the back with a safety temperature limiter (1).

This automatically switches off in the event of overheating (temp. ≥ 105 °C). In the event of a switch-off the cause must be determined. To make the pellet stove operable again, after cooling down, press in the green reset button on the safety temperature limiter.

Safety temperature limiter (1) with removable black protective cap.

Fig. 97: Safety temperature limiter

17.4 Firebox lining

The lining of your pellet stove consists of Keramott, a high-quality material with special combustion properties and an attractive appearance. During or after operation this lining may have superficial hair-line cracks, which do not however affect functioning. Replacement of such parts is not required!

17.5 What to do in the event of a chimney fire

If fuel used is incorrect or too moist, then due to deposits in the chimney this may lead to a chimney fire.

- 1) Call the fire department and the district master chimney sweep!
- 2) Turn off the pellet stove as normal.
- 3) Enable access to the cleaning openings (e.g. basement and attic).
- 4) Remove all flammable material from the chimney.
- 5) Inform your district master chimney sweeper before recommissioning your pellet stove and have your chimney checked for any damage.

17.6 What to do in the event of faults

Should faults occur, your dealer will require the following details:

- Serial number and appliance model as per the type plate
- Original invoice (date of sale)
- Start-up log

18 Electrical connection diagram

NOTICE

Repairs to your pellet stove must only be carried out by authorised Austroflamm engineers.

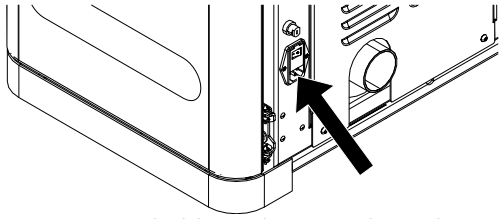


Fig. 98: Fuse holder with T2.5A glass tube fuses

Your pellet stove is designed for connection to a 230 V / 50 Hz mains. The connection cable is included.

The mains socket connection is located on the rear of the appliance and is protected with a T2.5 A glass tube fuse.

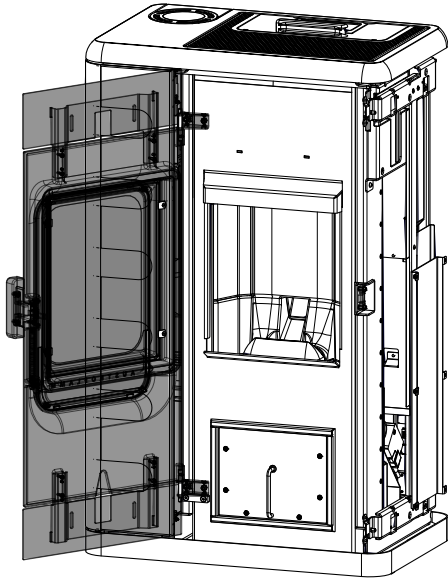
The power consumption of your pellet stove is visible on the nameplate.

Electrical diagrams can be found directly on the homepage in the download section of each pellet stove.

19 Dismantling

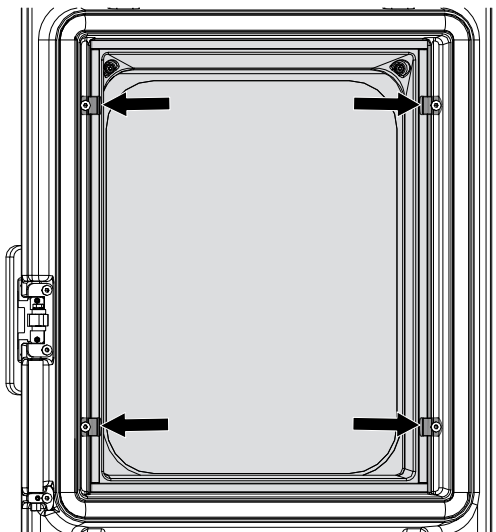
For correct uninstallation and dismantling of the pellet stove, contact your Austroflamm specialist dealer.

19.1 Detaching the decorative glass



1) Open door.

Fig. 99: Opening the door



2) Undo the screws from the glass holders and remove the glass holders.

Fig. 100: Removing the glass holders

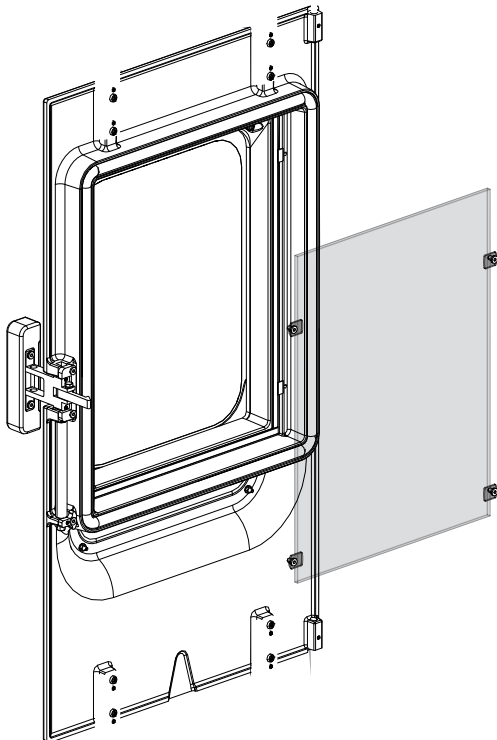


Fig. 101: Removing the door window

3) Remove the inner door window.

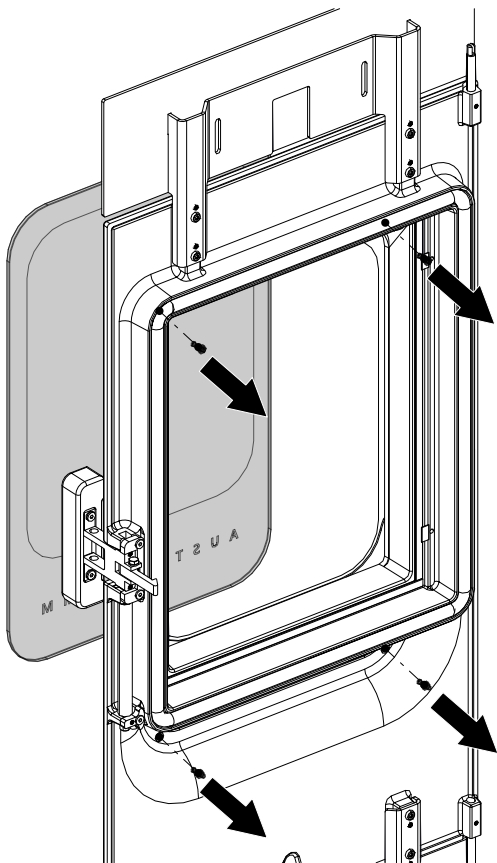


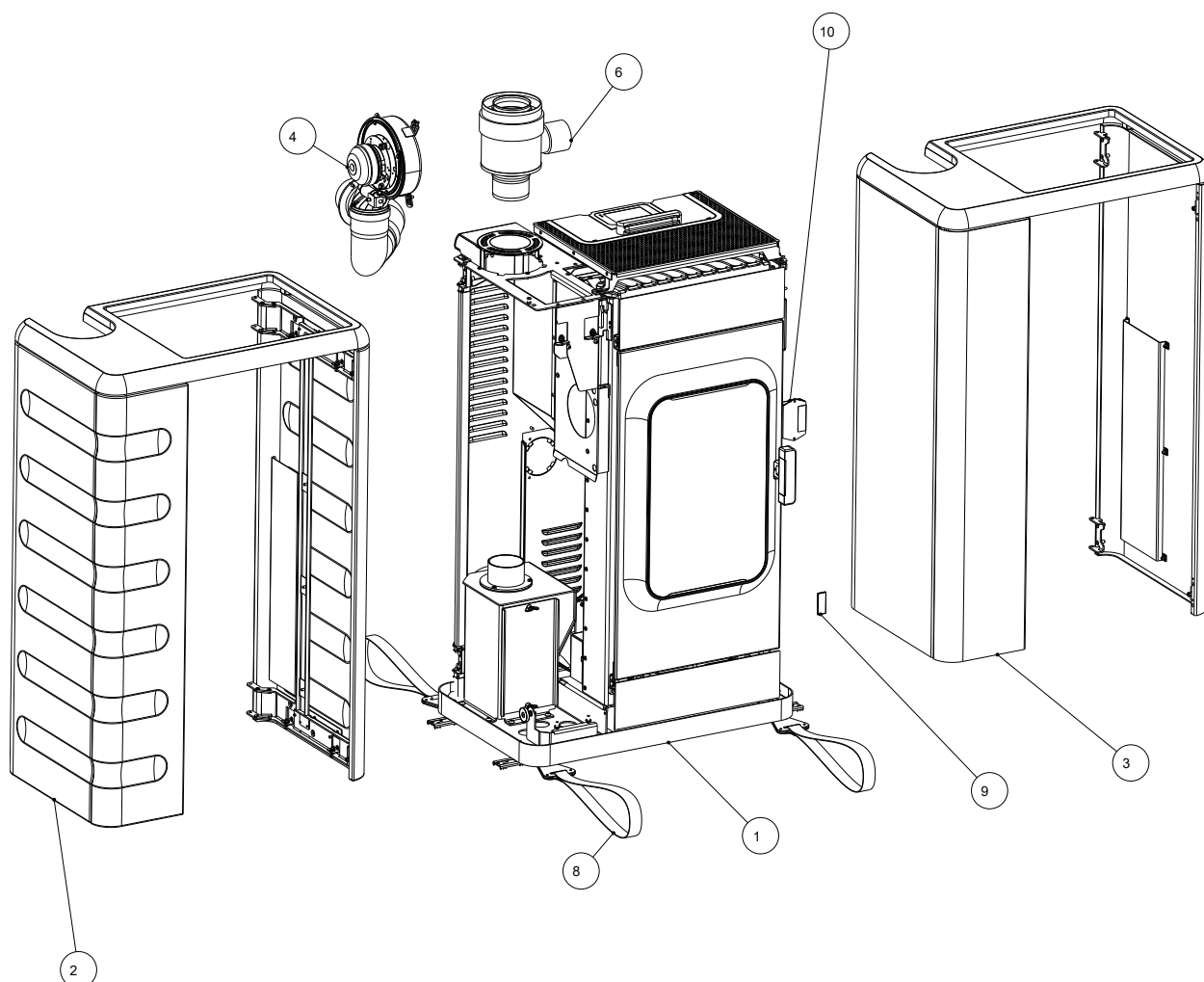
Fig. 102: Detaching the decorative glass

- 4) Undo the four head nuts together with the shims and springs and detach the decorative glass.
- 5) Remove the seals which are in the top and bottom corners of the glass door.

20 Accessories

Have defective parts (accessories, spare parts) replaced by your specialist pellet stove dealer. This guarantees that your pellet stove is and remains safe and functional.

Accessories



Item	Qty	Article	Article no.
1	1	RUBY 2.0	808101
2	1	Cladding, ceramic, complete	808003-XX
3	1	Cladding, steel, complete	808004-XX
4	1	Air distribution module (ADM)	808002
5	1	Supply air elbow joint, welded	729453-29
6	1	Poujoulat	729820
7	1	Aluminium flexible pipe DM 60 L=315	728663_729820
8	4	Transport aid, complete	361224
9	1	IR remote control	778753
10	1	WiRCU box, cpl	800012

21 Spare parts

Spare parts can be ordered through our dealers.

For ordering spare parts, it is necessary to provide the type plate picture or data from the type plate of your pellet stove. This guarantees proper spare parts for your specific pellet stove.

22 Disposal

NOTICE

To dispose of the pellet stove properly, get in touch with the local (possibly municipal) waste disposal company.

NOTICE

We recommend that you remove those components of the pellet stove which have been in contact with fire such as window, combustion chamber, cast iron components, grates, firebox lining (Keramott), ceramic, sensors and baffle plates and dispose of them in the household waste.

NOTICE

For correct uninstallation and dismantling of the pellet stove, contact your Austroflamm specialist dealer.

Electric and electronic components

Remove the electric and electronic components from the appliance by dismantling them. These components must not be disposed of via non-recyclable waste. Disposal should be carried out professionally via the electrical and electronic waste return system.

Keramott

Remove Keramott components. If present, fastening elements must be removed beforehand. Keramott components that have been in contact with fire or flue gas must be disposed of. Reuse or recycling is not possible. Local disposal options must be observed.

Steel sheet

Disassemble steel-sheet components of the appliance by mechanical crushing. If present, remove seals beforehand. Dispose of steel sheet parts as metal scrap. Local disposal options must be observed.

Cast iron

Disassemble cast-iron components of the appliance by unscrewing or flexing them from one another, or alternatively by mechanical crushing. If present, remove seals beforehand. Dispose of the cast-iron parts as metal scrap. Local disposal options must be observed.

Natural stone

Mechanically remove any natural stone present from the appliance and dispose of it as construction waste. Local disposal options must be observed.

Fittings etc. (for water-carrying appliances)

Disassemble the components for carrying water by unscrewing and removing them and dispose of them as metal scrap. Local disposal options must be observed.

Seals (glass fibre)

Mechanically remove the seals from the appliance. These components must not be disposed of via non-recyclable waste, as glass fibre waste cannot be destroyed through burning. Dispose of seals as glass- and ceramic fibre waste (artificial mineral fibres (AMF)). Local disposal options must be observed.

Handles and decorative elements made of metal

If present, disassemble or remove handles and decorative elements made of metal and dispose of as metal scrap. Local disposal options must be observed.

23 Warranty and guarantee

1. Warranty statement

For your AUSTROFLAMM hybrid stove, we guarantee the flawless performance of the body for six years, and of all other steel and cast iron components for two years from the date of first sale.

Steel and cast-iron parts that manifest material- and or processing defects during the guarantee period (warranty case) will be replaced for new parts provided that the warranty case has been asserted to the best of the holder's knowledge within the statutory warranty period. Functional problems with electronic accessories (e.g. WLAN+ SmartSpot) shall only justify a warranty claim for the particular accessory.

Our warranty only covers the free delivery of the new parts: work- and travel times are not recorded.

2. Exceptions

We do not provide a guarantee on wear parts (e.g. Keramott, seals and grate or combustion cavity, ignition cartridge, temperature sensor, flange bearing), surface coatings, varnish, glass and ceramics. In the case of such defects no warranty case has occurred.

When heating up, during operation and when cooling down, your hybrid stove may produce some noise (crackling, soft clicking, etc.). This is caused by the various materials expanding and contracting under the influence of temperature in your pellet stove. Noise of this kind does not constitute a warranty claim and do not constitute a warranty claim.

The territorial scope of validity of our guarantee covers Austria and Germany. In all other countries, separate conditions of the importer apply to the respective country. No warranty case occurs if your Austroflamm pellet stove is not located within the territorial scope of validity, which does not change if it is transported or dispatched by Austroflamm."

3. Requirements

A warranty case shall only then be replaceable if your Austroflamm pellet stove has been operated, maintained, installed and commissioned by a specialist authorized by Austroflamm, all in compliance with the user handbook. For the replaceability of the warranty case the start-up log must be received by Austroflamm within one month at the latest of the initial commissioning. In order to make a claim on the warranty, repairs to your pellet stove must only be carried out by a service engineer authorized by Austroflamm.

The warranty claim is asserted with the invoice and serial number with the Austroflamm specialist dealer via whom the purchase was made. An unjustified warranty claim will be charged back to you.

Servicing falls due after a number of hours specific to the appliance has been reached, but at least 1x annually in order to GUARANTEE THE WARRANTY!

4. Guarantee

This guarantee does not affect your statutory warranty rights towards us. Should your Austroflamm pellet stove already be defective at the point of handover, you can always connect us within the framework of the statutory warrant regardless of whether there is a warranty claim or the guarantee is claimed.

24 Start-up log

Operator / Customer		Dealer / Engineer	
Name		Company	
Street		Street	
Town and postal code		Town and postal code	
Telephone		Telephone	
Email		Email	

Pellet stove		
Model	Control software version	
Serial number	Control panel software version	
Technical defects	WLAN Box software version	
Visual defects	WLAN module <input type="checkbox"/> yes <input type="checkbox"/> no	
Accessories / defects (SmartSpot, air distribution module, etc.)		

On-site conditions	
Socket earthed (see electric installation test certificate)	Number of elbows:
	Total length of flue pipes:
Type of chimney: <input type="checkbox"/> brick <input type="checkbox"/> stainless steel <input type="checkbox"/> firebrick	Flue pipes in plug-in system <input type="checkbox"/> with seal lip <input type="checkbox"/> without seal lip
Chimney diameter: _____ chimney flue height: _____	Sea level:
Chimney flue - Approved by chimney sweep: <input type="checkbox"/> yes <input type="checkbox"/> no	Chimney flue-/draught: Actual value: _____ Target value: 3-12 Pa
Controlled living space ventilation <input type="checkbox"/> yes <input type="checkbox"/> no	Flue pipe diameter:
Other:	Outside temperature for draft measurement:

Appliance - Preparation for Start, Functional Check			
Pellet hopper loaded		Induced draught fan function tested	
Pellet quality: e.g. OE standard, DIN plus, ENplus A1		Screw motor function tested	
Riddle grate function tested		Ignition cartridge function checked	
Keramott "burnt white" after trial		Partial load test carried out	
Firebox door seal checked <input type="checkbox"/> yes <input type="checkbox"/> no			

Instructions for Operator / Customer			
Instructions for handling the appliance explained clearly and comprehensibly		Cleaning and maintenance interval explained	
Terms of the guarantee and warranty explained		Photographic documentation of actual condition - hybrid stove installation (Please be sure to obtain the customer's consent beforehand)	
<input type="checkbox"/> wire brush <input type="checkbox"/> glove <input type="checkbox"/> user instructions		(Start, combustion and burnout phases carried out.)	

The end customer confirms that they can now put the stove into operation unassisted. They further confirm, that the stove is in a fully functional state and free of defects.

Place, date

Signature Operator / Customer

Signature Technician

25 Service Report

Date	Technicians	Notes	Work carried out, replacement parts installed

Date	Technicians	Notes	Work carried out, replacement parts installed

AUSTROFLAMM GMBH
Austroflamm-Platz 1
A- 4631 Krenglbach

Tel: +43 (0) 7249 / 46 443
www.austroflamm.com
info@austroflamm.com

808101-945165

