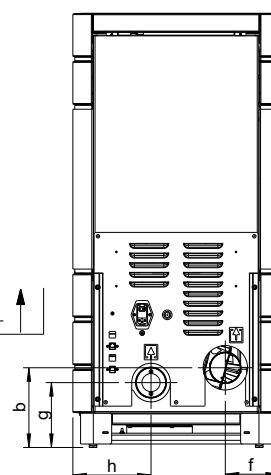
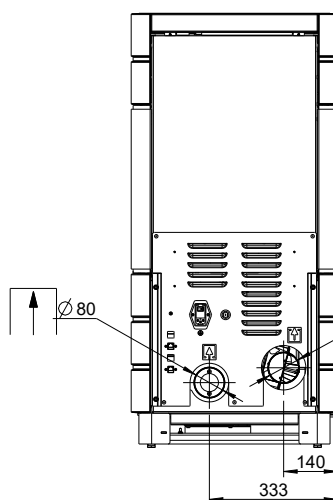
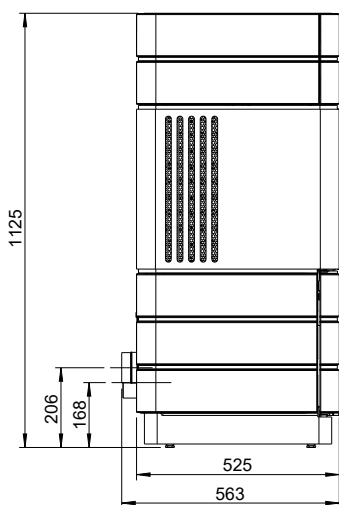
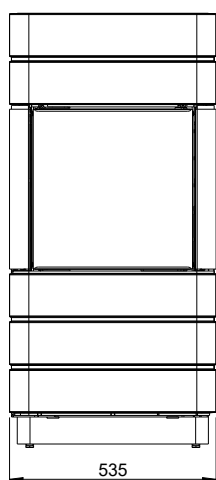
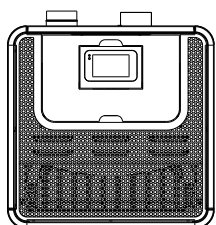


# PERRY 2.0



## AUSTROFLAMM



Dimensions and weight	
Height [mm]	1121
Width [mm]	535
Depth [mm]	525
Combustion chamber width [mm]	-
Combustion chamber height [mm]	-
Combustion chamber depth [mm]	-
Flue pipe outlet, diameter [mm]	80
Outside air connection diameter [Ø mm]	80
Weight, basic appliance [kg]	163
Weight Xtra [kg]	-
Weight, HMS [kg]	-
Total weight inc. steel case (STM) [kg]	182
Total weight inc. ceramic case (KGM) [kg]	214
Total weight inc. soapstone case (SPM) [kg]	-
b: Height of flue pipe connection, centre rear (as per diagram) [mm]	203
f: Flue pipe connection from right (as per diagram) [mm]	140
g: Height of external air connection, centre (as per diagram) [mm]	164
h: External air connection from left (as per diagram) [mm]	203
dP Radiation front [mm]	500
dS1 Distance left [mm]	200
dR Distance rear [mm]	200
dS2 Distance right [mm]	200
dB Distance bottom [mm]	0
Minimum distance from non-flammable materials [mm]	50
Output	
Nominal heat efficiency [kW]	7.5
Minimum heat output [kW]	2.2
Maximum heat output [kW]	7.5
Minimum room heating capacity [m³]	98
Maximum room heating capacity [m³]	255
Pellet hopper capacity [kg/l]	≈ 25 kg / 39 l
Minimum fuel throughput [kg/h]	0.5
Maximum fuel throughput [kg/h]	1.7
Burning time, minimum [h]	14
Burning time, maximum [h]	49
Power connection [V/Hz]	230 / 50
Equipment	
Room temperature sensor	standard
Weekly timer	standard
Automatic drop grate	standard
Ash removal	
Balanced flue - DiBt (German Institute for Structural Engineering)	Yes
WLAN module	Accessories
Remote control	Accessories
Air distribution module	-
Data for the chimney sweep	
Exhaust gas mass flow [g/s]	5.3
Flue gas temperature [°C]	211
Minimum delivery pressure at nominal heat output [Pa]	12
Minimum delivery pressure for chimney calculation [Pa]	3

- not available