



Operating manual

65x51 aquaHEAT



AUSTROFLAMM

www.austroflamm.com

Operating manual

09/10/2024

Version: 2.0

LEGAL NOTICES

Owner and publisher

AUSTROFLAMM GMBH

Austroflamm-Platz 1

A- 4631 Krenglbach

Tel: +43 (0) 7249 / 46 443

www.austroflamm.com

info@austroflamm.com

Edited by: Olivera Stojanovic

Illustrations: Konstruktion

Text: Technical department (Austroflamm)

Copyright

All Rights reserved. The contents of these instructions may be reproduced or distributed only with the consent of the publisher! Printing, spelling and typographical errors reserved.

The information in this document is subject to change without prior notice and should not be construed as a commitment by Austroflamm GmbH. Austroflamm GmbH assumes no responsibility for any errors that may appear in this document.

Contents

1	General information	6
1.1	Regulations to be observed	7
1.2	Copyright.....	7
1.3	Information about the document	7
2	Purpose of the manual	8
2.1	Storing the manual	8
2.2	Structure of the manual.....	8
2.3	Images used	8
2.4	Versioning.....	8
2.5	Abbreviations	9
3	Safety	10
3.1	Meaning of the safety instructions.....	10
3.2	General safety instructions	10
3.3	Instructions for installation in hypocaust	12
3.4	Special types of hazard and personal protective equipment	12
4	DIN EN 12828 safety features	13
4.1	Thermal discharge safety device (TAS).....	15
4.1.1	Function of the TAS	15
4.2	2.5 bar safety valve (SV)	16
4.2.1	Function of the SV.....	16
4.3	Circulation pump control.....	16
4.4	Heat return flow boost	16
4.5	Ventilator.....	16
4.6	Expansion tank.....	17
4.7	Safety plug.....	17
5	Hydraulic integration into the heating system	18
6	Product overview	19
6.1	Intended use	19
6.2	Product identification.....	19
6.2.1	Dimensions.....	19
6.2.2	Positioning of the type plates.....	20
6.3	Energy label.....	20
7	Technical Data	21
7.1	Technical data under Directive (EU) 2015/1185 and del. as per Regulation (EN) 2015/1186 .	21
7.1.1	65x51-K- aquaHeat.....	21
7.2	General specifications, new	24
7.3	Data for measuring the chimney/flue	26
8	Transport, handling and storage	27
8.1	Transportation.....	27
8.2	Storage.....	28
9	Requirements to be met by the place of installation	29

9.1	Requirements to be met by the installation room.....	29
9.2	Safety distance	30
9.3	Installing the fireplace insert	30
9.4	Combustion air supply.....	30
9.5	Combustion air duct.....	31
9.6	Requirements to be met by the chimney	31
9.7	Multiple occupancy	32
9.8	Flue pipe connectors	32
10	Fuel material/-quantity	33
10.1	Fuel material.....	33
10.2	Fuel quantity.....	35
11	Installation instructions.....	36
11.1	Set-up in front of or next to a wall to be protected	36
11.2	Set-up in front of or next to a wall not to be protected	37
11.3	Convection chamber.....	38
11.4	Open fireplace system	39
11.5	Closed fireplace system (hypocaust)	39
11.6	Protecting the installation floor.....	39
11.7	Expansion joints	39
11.8	Cladding	39
11.9	Fireplace surrounds.....	40
11.10	Decorative beams.....	40
11.11	Ceiling above the fireplace insert.....	40
11.12	Floor in front of the fireplace insert.....	40
11.13	Fire protection.....	41
11.14	Thermal insulation layers and materials	41
11.15	Electrical wiring.....	43
11.16	Fireplace inserts tested for balanced flue operation	43
12	Installation	44
12.1	Procedure	45
12.1.1	Placing the fireplace insert	45
12.1.2	Removing the Keramott transport lock / installing the baffle plate	45
12.1.3	Installing the baffle plate	47
12.1.4	Installing the firebox lining (Keramott).....	47
12.1.5	Mounting the firebox door	48
12.1.6	Converting the radiant panels to a right-hand stop.....	50
12.1.7	Converting the combustion air connection piece.....	52
12.1.8	Mounting the design frame.....	52
12.1.9	Mounting the flat elbow.....	53
13	Adjustments.....	54
13.1	Adjusting the door	54
14	Commissioning	56
14.1	First start-up.....	56
14.2	Function check	56

15 Handling	58
15.1 Controls.....	58
15.2 Before lighting the fire	59
15.3 Lighting the fire.....	59
15.4 Heating.....	60
15.5 Adding firewood.....	60
15.6 Heating in the transitional period.....	60
15.7 Operating mode.....	60
16 Maintenance	61
17 Cleaning	62
17.1 Cleaning fireplace insert, fuel gas flues.....	62
17.2 Emptying the ash box	62
17.3 Cleaning the door window.....	62
18 Help	63
18.1 Firebox lining	64
18.2 What to do in the event of a chimney fire.....	65
18.3 What to do in the event of defects	65
19 Accessories	66
20 Spare parts	67
21 Dismantling	68
22 Disposal	69
23 Guarantee and warranty	71
24 Start up log	72
25 Service Report	73

1 General information

You have decided in favour of an Austroflamm fireplace insert.

Congratulations on your decision and thank you for your trust.

Correct operation and care are essential for trouble-free operation and long service life. Likewise, please follow the instructions in the operating manual.

The information in this manual is of a general nature. National and European standards, local and building regulations, together with fire regulations must be complied with.

Read these instruction through carefully before installation and operation. No liability or warranty claims apply for damage incurred by failure to follow this manual. Please observe the instructions in the individual sections.

TIP

Please arrange the set-up location and connection to the chimney with the master chimney sweep.

This manual is enclosed with your Austroflamm fireplace insert.

In the following list we give you an overview of which sections are important for whom:

Dealer	End customer
Complete operating manual	General information
	Purpose of the manual
	Safety
	Product overview
	Technical data
	Requirements at the installation location
	Fuel material/-quantity
	Settings
	Commissioning
	Operation
	Maintenance
	Cleaning
	Help
	Accessories
	Spare parts
	Disassembling
	Disposal
	Guarantee / warranty
Data processing	
Start-up log	
Service Report	

1.1 Regulations to be observed

- Installation standard DIN 18896
- DIN EN 12828
- DIN EN 12831
- DIN EN 13384
- DIN EN 18160-1
- DIN EN 15287-1
- State building regulations of the individual federal states or countries
- Heating regulations of the individual federal states or countries
- Technical rules of the stove- and air heating constructors trade association (TR OL) or technical rules of other countries
- Federal Emission Control Ordinance (BImSchV)

1.2 Copyright

All Rights reserved. The contents of these instructions may be reproduced or distributed only with the consent of the publisher! Printing, spelling and typographical errors reserved.

1.3 Information about the document

The information in this document is subject to change without prior notice and should not be construed as a commitment by Austroflamm GmbH. Austroflamm GmbH assumes no responsibility for any errors that may appear in this document.

2 Purpose of the manual

This manual is a component part of the fireplace insert and contributes towards the fireplace insert being safely installed and maintained.

TIP

Please read this manual before using commissioning or installation.

2.1 Storing the manual

Store this manual in case you need it. The current version of the manual can be found on-line at our homepage www.austroflamm.com.

2.2 Structure of the manual

The table of contents can be found on page 3.

Illustrations in this manual may differ from the delivered product.

2.3 Images used

The following representations are used in this manual:

Steps with mandatory adherence to the sequence

✓ Prerequisite

1) Step 1

2) Step 2

3)

⇒ Intermediate result / additional information

⇒ Result

Steps and bullet points without mandatory sequence

•

•

-

-

Cross-references

See Technical Data

Useful tips

TIP

Fuel

Use only recommended fuel!

2.4 Versioning

We update our manuals on a continual basis. The current version can be found at our homepage www.austroflamm.com.

2.5 Abbreviations

Abbreviation	Meaning
HMS	Heat Memory System
FI	Fireplace insert
CF	Ceramic flue
CVC	Convection cladding
TAS	Thermal discharge safety device
SV	Safety valve

3 Safety

In this manual we give you numerous safety instructions for the safe operation of your fireplace insert. These instructions are characterized differently as follows, depending on their importance:

3.1 Meaning of the safety instructions

NOTICE

Particular behaviour and/or activities that are required for safe working. Failure to follow this can result in material damage.

CAUTION

Possible dangerous situation (light or minor injuries and material damage).

WARNING

Possibly imminent danger to life and health of persons (severe injuries or death).

DANGER

Immediately imminent danger to life and health of persons (severe injuries or death).

3.2 General safety instructions

- The following points must be observed when installing and operating the aquaHEAT. Non-observance invalidates the warranty!
- Operation with incompletely installed safety features, or without them, is not permissible.
- The safety features included with the aquaHEAT must be used.
- All tubing, tapped fittings, clamping, insulating materials, components, etc. used in the boiler circuit must be suitable for use for heating systems up to 110°C.
- For the safety features to be provided on site, only components that have been tested and provided with component markings may be used.
- Operating the aquaHEAT without an operative water-side connection or in an unfilled condition is not permitted.
- For your own safety, please note that the installation and initial commissioning must only be carried out by an authorised trade business! The latter will also be responsible for maintenance, cleaning and repair to this appliance.
- If the system is damaged it must no longer be operated.
- Unauthorised modifications and conversions are not allowed, since under certain circumstances these can cause danger to life and limb and may lead to damage to the appliance.
- All the necessary safety engineering components are included in the scope of delivery of the aquaHEAT:
 - Thermal discharge safety device (TAS) heat exchanger (installed in the appliance).
 - Thermal discharge safety device (TAS) servo valve with capillary sensor (length 1.5 m or 4 m).
 - All-metal design 2.5 bar safety valve (SV).
- Safety features must remain accessible even after installation.
- The appropriate inspection openings, air grilles etc. must be provided for access to the safety features.

- The operator of the system must be informed of the placement, function and recurrent inspection of the safety features.
- The operator of the system must be expressly informed of the safety equipment. He must be instructed in their function and maintenance.
- It is strictly forbidden to burn or introduce highly flammable or explosive substances, (such as empty aerosols and the like) into the firebox or to store them in the immediate vicinity of the fireplace insert due to the risk of explosion!
- Placing non- fireplace insert-resistant objects on the fireplace insert or in its vicinity is forbidden.
- Do not place any items of laundry on the fireplace insert to dry. Laundry racks or the like must be placed at a sufficient distance from the fireplace insert. - (Fire hazard!)
- While the fireplace insert is in operation, it is forbidden to process highly flammable or explosive substances in the same room or in adjoining rooms.
- To avoid a build-up of heat in the chimney, the warm air grilles must not be closed during heating operation.
- Fireplace inserts tested to type A1 are fitted with a self-closing firebox door. This means that operating with the firebox door open is not permissible. To stoke up the wood the hinged door must be kept open against the tension force of the springs. The door must not be jammed open with clamping devices.
- The fireplace insert must only be operated with the doors closed.
- The door and all the fireplace insert's control devices must be closed when the fireplace insert is not in operation.
- Only spare parts which are specifically approved or offered by the manufacturer may be used. Please contact your specialist dealer if necessary. Failure to comply with this may cause loss of warranty!
- Please note that the surfaces of the fireplace insert heat up considerably during operation. We recommend that you use the protective glove supplied to operate the fireplace insert.



- Please alert children to these hazards, and keep them away from the fireplace insert when it is operating.

DANGER

Danger of overheating

To prevent damage you must **NEVER** operate your fireplace insert with a greater quantity of fuel than the quantity given in these instructions, either during its initial commissioning or every time you subsequently light it up again!

- Burn only the fuel listed and approved in the section.
- The information in this manual represents generally applicable standards and rules. National and European standards, local and building regulations, together with fire regulations must also be complied with.
- Before operating your fireplace insert, carefully read through the entire manual and observe the instructions and warnings.
- Austroflamm GmbH accepts no liability or responsibility for the connection to the chimney. For more information consult a chimney sweep and check your national, regional and local building regulations.
- Only approved transport aids with sufficient load-bearing capacity may be used for transport.
- No loose or easily flammable items of clothing should be worn when laying the fire.
- Waste materials (of any kind) or residues **MUST NOT** be burned in the fireplace insert.

- Sharp edges may be created during or after the installation of accessory parts. Please use suitable grinding or cutting tools to remove these sharp edges.
- When doing anything on or with the fireplace insert, always wear protective gloves. Example: moving the fireplace insert, assembling, disassembling, repairing, attaching accessories, etc.



3.3 Instructions for installation in hypocaust

When using an aquaHEAT in a hypocaust, there must be no TAS safety valves, ventilators or servo valves within the heating chamber.

Therefore an extension upwards is recommended for the placement of the safety valve and venting device, so that these components can be installed outside the heating chamber. This extension must not include any deflections or elbows, must not be longer than 1.0 m and must be executed without barriers and with the same cross-section. A suitable separation from the heating chamber must be made below the components.

3.4 Special types of hazard and personal protective equipment

During certain activities, such as installing/dismantling, special care must be taken to ensure that the following protective equipment is worn:

	Safety gloves
	Safety shoes

4 DIN EN 12828 safety features

General

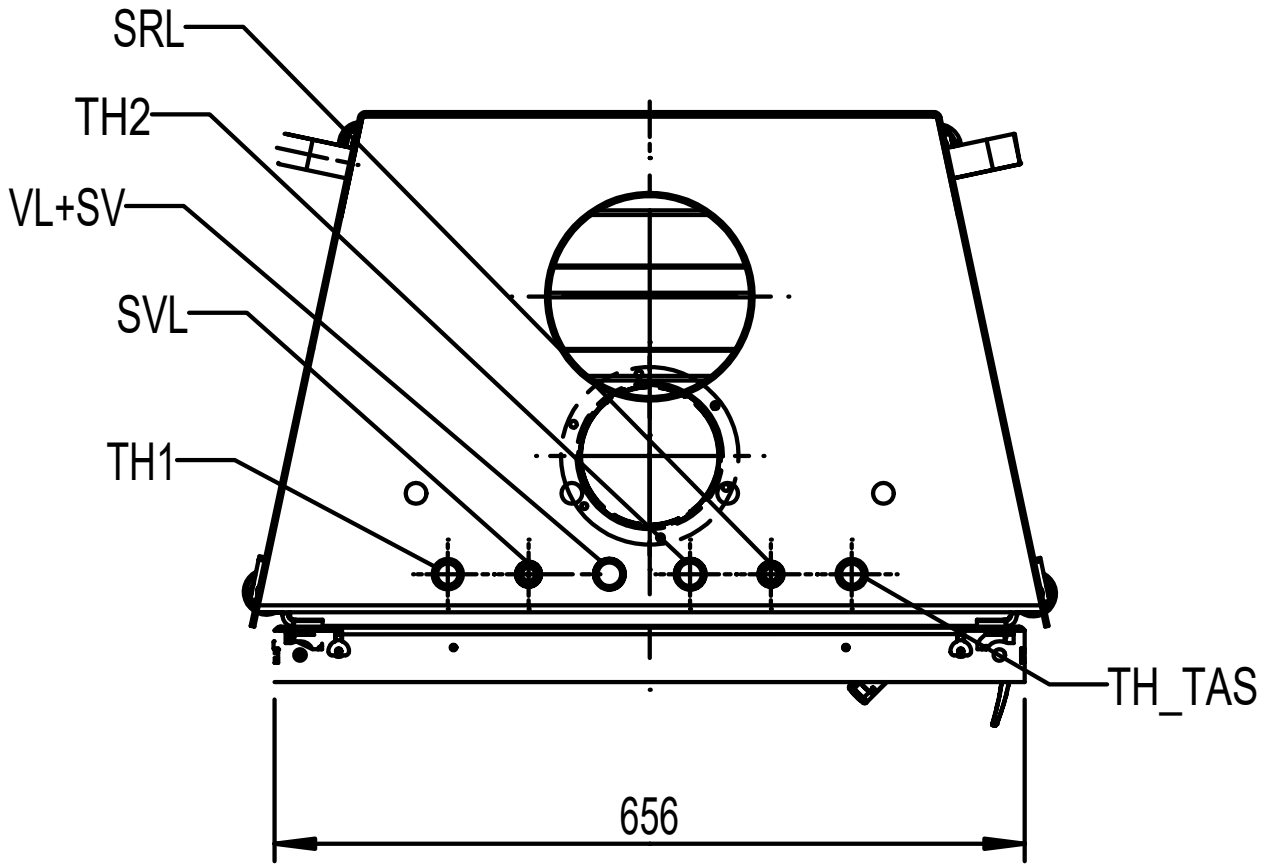


Fig. 1: Safety features

TH1 Thermowell G 1/2" IG	SVL Flow pipe for safety heat exchanger - R 1/2"
VL Flow pipe - R 3/4"	TH_TA Thermowell for thermal discharge safety device - S G 1/2" IG
SV Safety valve - G 1/2" IG	SRL Return pipe for safety heat exchanger - R 1/2"

Necessary safety features which are not included in the scope of delivery must be created on site!

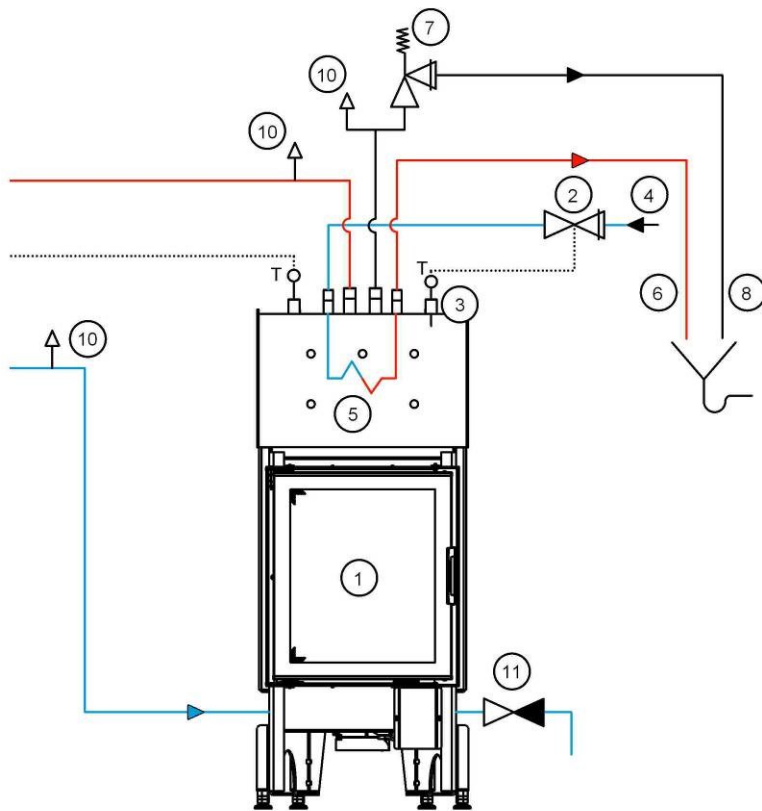


Fig. 2: DIN EN 12828 safety features

1 Austroflam aquaHEAT	2 TAS servo valve
3 TAS thermowell with temperature sensor	4 TAS cold water supply
5 TAS safety heat exchanger	6 TAS outlet
7 Safety valve (SV)	8 SV discharge pipe
9 Hopper / funnel waste trap	10 Venting device
11 Boiler drain	

⚠ DANGER

Risk to life

Safe operation is only assured when safety features are installed correctly and serviceable.

NOTICE

Use only tested and approved safety features!

4.1 Thermal discharge safety device (TAS)



The thermal discharge safety device is built into the cold water pipe. No stop valves, flow rate limiters or similar may be installed in the cold water flow, in the thermal discharge safety device or in the outflow. The outflow must lead to an open, visible discharge. The throughput must be a minimum of 1000 l/h (fully opened).

- The admission pressure in the cold water pipe must be a minimum of 2 bar and no more than 10 bar. If when using a self-sufficient water supply a supply failure occurs, the boiler must immediately be deactivated and must not be started!
- On no account may the temperature sensor capillary line be kinked, shortened or damaged.
- The TAS sensor lead is a capillary line and consists of two very thin copper tubes. If these are kinked, crushed or separated, the functioning of the TAS can no longer be guaranteed. If a capillary line is damaged it must always be replaced in its entirety with pressure cylinder and temperature sensor.
- The opening of the outlet must not be in the immediate vicinity of people.
 - The opening of the outlet must be so executed that the TAS can be triggered without any danger. Since when the TAS is triggered up to 1,000 litres of water per hour of nearly 100°C must be run off, the opening of the outlet must not be in the immediate vicinity of people (e.g. not above a washbasin).
- It is imperative that the supply pipe of the TAS is laid frost-free.

4.1.1 Function of the TAS

The thermal discharge safety device is an unpowered safety device that works via liquid pressure to limit temperature.

In the event of an excessive temperature in the water heat exchanger, the liquid in the TAS capillary tube expands until the TAS servo valve opens the cold water intake to the built-in safety heat exchanger. The excess heat is drawn off to the water heat exchanger via the fresh water flow. After the cooling off to a non-critical temperature, the TAS closes again automatically.

The TAS safety heat exchanger is separated from the boiler volume or heat circuit. When the TAS is triggered the heat circuits are not opened and there is no admixture of fresh water into the heat circuits.

The TAS servo valve opens at a boiler temperature of approx. 95°C and ensures a maximum boiler temperature of below 110°C.

NOTICE

The discharge safety device must be checked for its serviceability once a year by a specialist! The TAS does not replace the prescribed diaphragm safety valve.

4.2 2.5 bar safety valve (SV)



The aquaHEAT must be fitted with a 2.5 bar safety valve. The safety valve must be checked for its serviceability a year by a specialist!

NOTICE

Only the safety valve (SV) supplied may be used. When being replaced, an SV of identical design must be used.

NOTICE! Safety valves with plastic caps are unsuitable for use on heating elements and fireplace inserts. The opening of the outlet must not be in the immediate vicinity of people.

4.2.1 Function of the SV

The safety valve is an unpowered safety device that works via spring pressure to limit pressure.

In the event of an excessive operating pressure in the water heat exchanger, the safety valve is opened against the closing spring pressure. Excessive pressure escapes in the form of underlying water via the discharge pipe. After the sinking to a normal operating pressure, the SV closes again automatically.

When the SV is triggered, the heat exchanger is opened. This leads to a reduction in the water content of the connected system as well as a reduction in system pressure. After the SV has been triggered an inspection must therefore be carried out and if necessary the system pressure reset.

4.3 Circulation pump control

The circulation pump must be activated with a component-tested thermostat. It is switched on at a temperature of 60°C and switched off at 55°C.

4.4 Heat return flow boost

A return flow temperature of at least 55°C (to prevent a build-up of condensation) is required in order to ensure trouble-free and safe operation. This is best achieved by the installation of a boiler charging unit. The boiler charging unit is used to maintain the return flow temperature of solid fuel boilers.

4.5 Ventilator

During maintenance, ventilators must be checked and if necessary replaced. For this reason they must be incorporated in such a way that they can be replaced.

Additional venting devices should be installed in the connecting pipes (flow and return).

The complete venting of a newly filled system may take several weeks. During this time air may continue to build up, while air that is partially bound in water is also slowly released.

If the entire system is vented, automatic ventilators should be closed.

When filling the system, check whether the ventilators are working. The plastic cap on the ventilator should be opened one turn to the left (anti-clockwise) when the system is being filled.

4.6 Expansion tank

The aquaHEAT must be fitted with an expansion tank if there are mixers and barriers between the fireplace insert and the existing system expansion tank.

There must be no barriers between the boiler and the expansion tank!

If the conditions listed above are not met, the fireplace insert must not be put into operation. A clearly displayed warning sign must indicate this prohibition!

The heating chamber (brickwork) must be set up so that the service- and cleaning openings are easily accessible.

4.7 Safety plug

Suitable measures must be provided as a protection against the overloading of the heat exchanger in the event of, or caused by, lack of water, as per DIN EN 12828. These measures must if necessary be provided on site as part of the installation.

Every closed heating system must be fitted with a water level limiter, a minimum pressure limiter or a flow limiter or other suitable device that will prevent the heat exchanger in the aquaHEAT from becoming impermissibly hot in the event of a lack of water in the system.

If the aquaHEAT is positioned higher than most of the radiators or heating surfaces, a safety plug is always necessary.

5 Hydraulic integration into the heating system

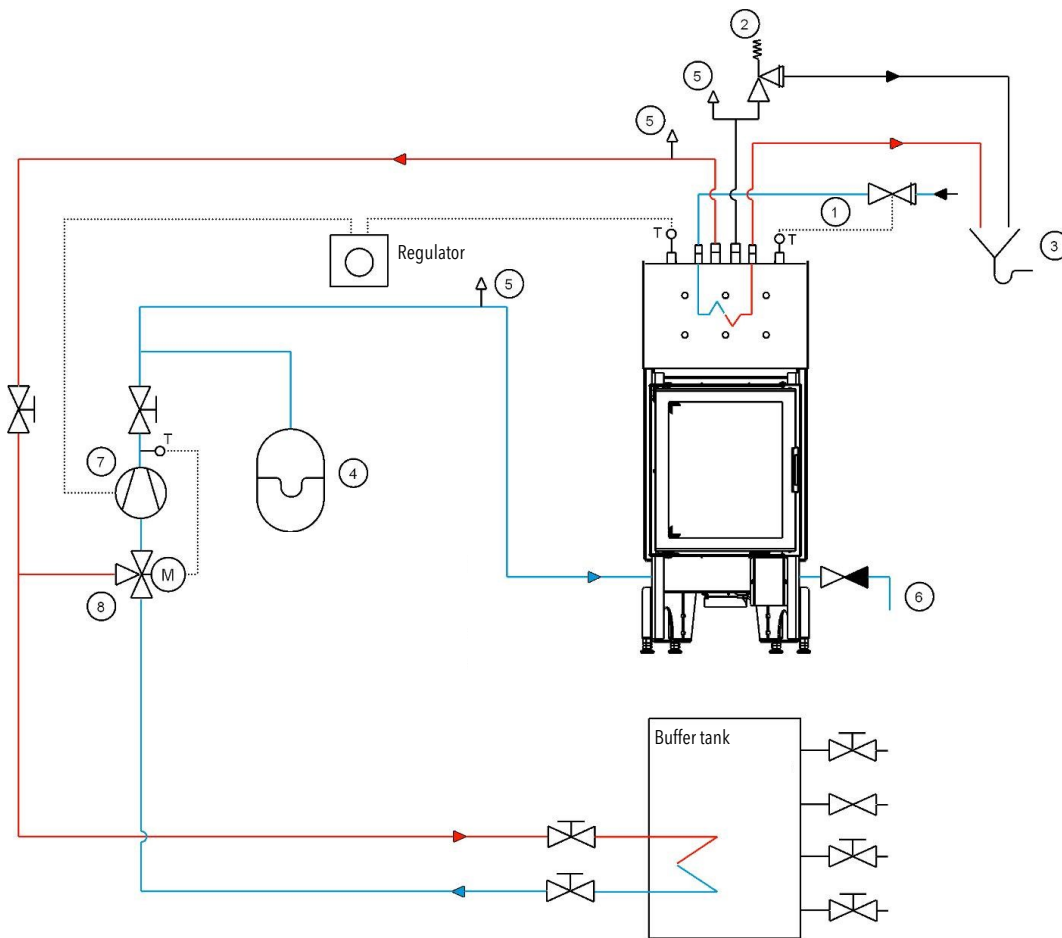


Fig. 3: Hydr. integration

1 Thermal discharge safety device	2 Safety valve
3 Discharge, open and visible	4 Membrane expansion tank
5 Ventilator	6 Boiler drain
7 Recirculating pump	8 Three-way mixing value (return flow boost)

6 Product overview

6.1 Intended use

The Austroflamm fireplace insert described in this manual is manufactured and tested with a type A1 self-closing and locking door under EN test EN 13229.

NOTICE

Operation is only permissible with the door closed.

6.2 Product identification

The following illustrations provide an overview of the most important dimensions and the positioning of the type plate.

6.2.1 Dimensions

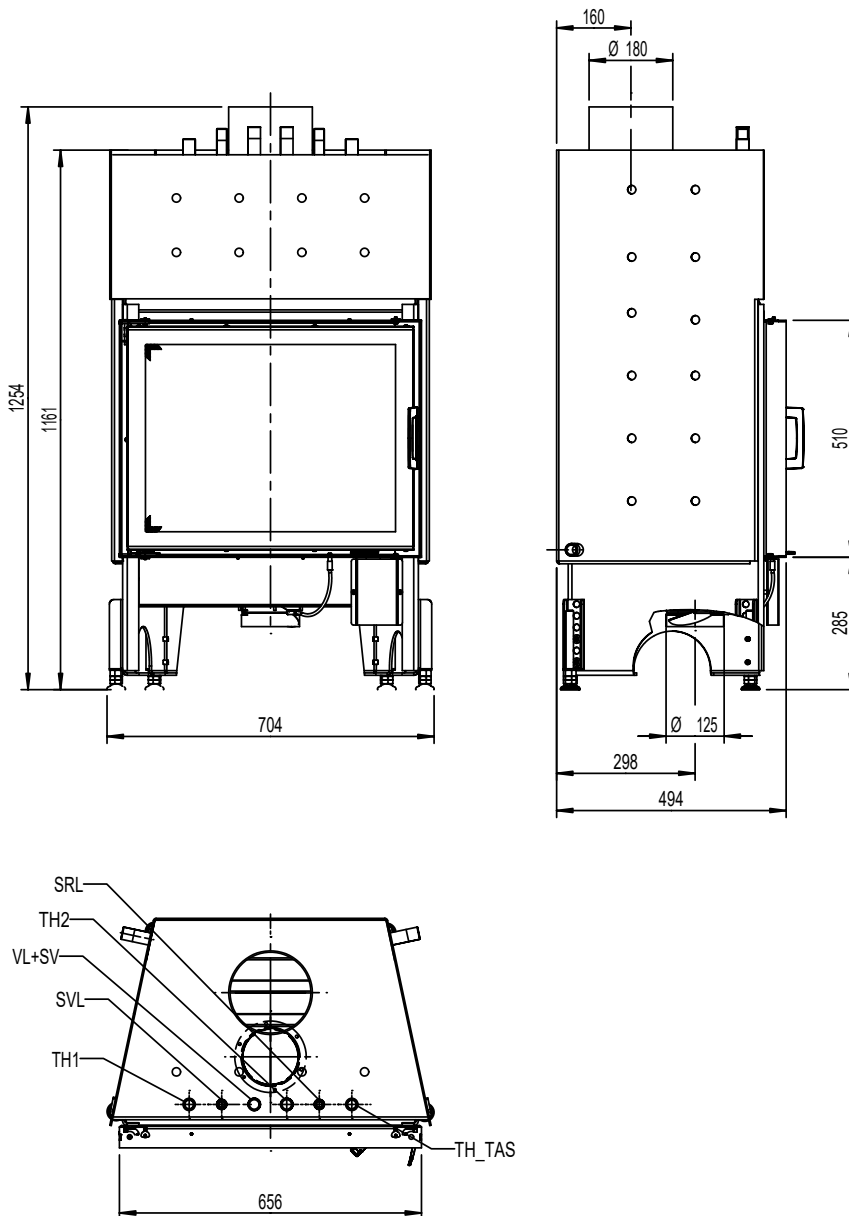


Fig. 4: Dimensions

6.2.2 Positioning of the type plates

Here we show where you can find the nameplate. You received a copy of the nameplate with the fireplace insert. You can find a copy of the nameplate of your fireplace insert on the back of the manual you get with your fireplace insert.

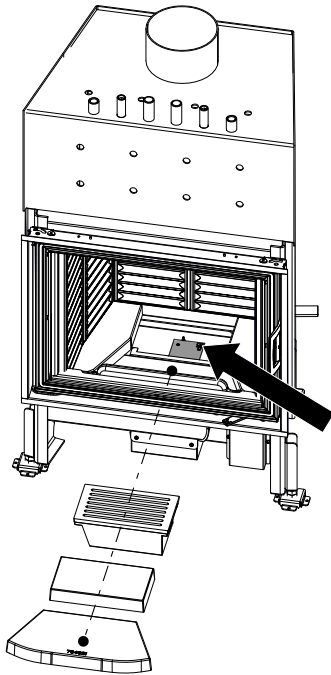


Fig. 5: Nameplate

The nameplate is located below the inlay stone/cast grate/ash box in the firebox.

6.3 Energy label

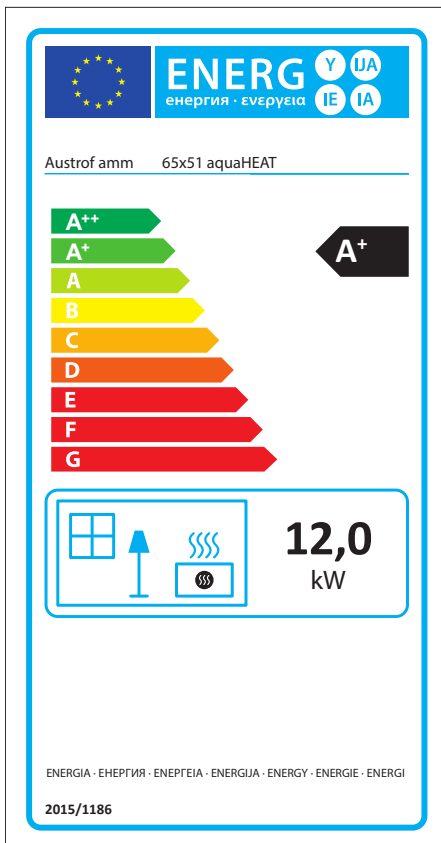


Fig. 6: aquaHEAT 65x51 energy label

7 Technical Data

7.1 Technical data under Directive (EU) 2015/1185 and del. as per Regulation (EN) 2015/1186

7.1.1 65x51-K- aquaHeat

Contact details for the manufacturer or their authorised representative

Manufacturer:	Austroflamm GmbH
Contact:	-
Address:	Austroflamm-Platz 1
	4631 Krenglbach
	Austria

Appliance details

Model identification(s):	65x51-K- aquaHeat
Equivalent models:	-
Test reports:	1625 / RRF 29 10 2286
Applied harmonized standards:	EN 13229
Other standards/technical specifications. Specifications:	-
Indirect heating function:	Yes
Direct heat output:	3.3 kW
Indirect heat output ¹ :	9.2 kW

Properties for operation with the preferred fuel

Space heating annual use efficiency η_s :	72 %
Energy efficiency index (EEI):	108

Particular precautions for assembly, installation or maintenance

Described in the individual sections of the operating manual.

Fuel	Preferred fuel (only one) ² :	Other suitable fuel(s) ³ :	η_s [%]:	Space heating emissions at nominal heating efficiency (*)				Space heating emissions at minimum heat output ⁴ (*) (**)			
				PM	OGC	CO	NOx	PM	OGC	CO	NOx
				[x] mg/Nm ³ (13% O ₂) ⁵				[x] mg/Nm ³ (13% O ₂) ⁶			
Firewood, moisture content ≤ 25 %	yes	no	72	24	50	1000	117	-	-	-	-
Compregnated laminated wood, moisture content < 12 %	no	no	-	-	-	-	-	-	-	-	-
Other woody biomass	no	no	-	-	-	-	-	-	-	-	-
Non-woody biomass	no	no	-	-	-	-	-	-	-	-	-
Anthracite and dry steam coal	no	no	-	-	-	-	-	-	-	-	-
Coking coal	no	no	-	-	-	-	-	-	-	-	-
Semi-coke	no	no	-	-	-	-	-	-	-	-	-
Bituminous coal	no	no	-	-	-	-	-	-	-	-	-
Lignite briquettes	no	no	-	-	-	-	-	-	-	-	-
Peat briquettes	no	no	-	-	-	-	-	-	-	-	-
Briquettes made from a mixture of fossil fuels	no	no	-	-	-	-	-	-	-	-	-
Other fossil fuels	no	no	-	-	-	-	-	-	-	-	-
Briquettes made from a mixture of biomass and fossil fuels	no	no	-	-	-	-	-	-	-	-	-
Other mixture of biomass and solid fuels	no	no	-	-	-	-	-	-	-	-	-

(*) PM = dust, OGC = organic gaseous connections, CO = carbon monoxide, NOx = nitrogen oxide

(**) Only required when using correction factors F(2) or F(3)

Properties for exclusive operation with the preferred fuels⁷

Specification	Symbol	Value	Unit	Specification	Symbol	Value	Unit
Heat output				Thermal efficiency (fuel efficiency) (based on the NCV)			
Nominal heat efficiency	P _{nom}	12	kW	thermal efficiency (fuel efficiency) at nominal heat efficiency	η _{th,nom}	82	%
Minimum heat output (standard value)	P _{min}	-	kW	thermal efficiency (fuel efficiency) at minimum heat output (standard value)	η _{th,min}	-	%
Auxiliary power consumption				Type of heat output/room temperature control			
At nominal heat efficiency	e _{lmax}	-	kW	single-stage heat output, no room temperature control			yes
At minimum heat output	e _{lmin}	-	kW	two or more manually adjustable stages, no room temperature control			no
In standby condition	e _{lSB}	-	kW	room temperature control with mechanical thermostat			no
Pilot flame power requirement				with electronic room temperature control			
Pilot flame power requirement (if present)	P _{pilot}	-	kW	with electronic room temperature control and day-time regulation			no
				with electronic room temperature control and weekday regulation			
				Other regulation options (multiple selections possible)			
				room temperature control with presence detection			
				room temperature control with open window detection			
				with remote control option			

¹ There is no entry for fireplaces without water-carrying components.

² Values for annual use efficiency and emissions must be given here for the preferred fuel.

³ Values for annual use efficiency and emissions must be given here for all other suitable fuels.

⁴ Corresponds to partial load heat output as per EN 16510

⁵ Specification in mg/m³ for heated filter method (in compliance with Annexe III, number 4, letter a, section i, point 1) or g/kg for measurement in dilution tunnel (in compliance with Annexe III, number 4, letter a, section i, point 2 and 3.)

⁶ Specification mg/m³ for heated filter method (in compliance with Annexe III, number 4, letter a, section i, point 1) or g/kg for measurement in dilution tunnel (in compliance with Annexe III, number 4, letter a, section i, point 2 and 3.)

⁷ Specifications must be made here for the preferred fuel only.

7.2 General specifications, new

Dimensions and weight	
Height from [mm]	1254
Height to [mm]	1454
Width (body installation dimension) [mm]	656
Depth [mm]	494
Weight, basic appliance [kg]	202
Weight, HMS [kg]	
Door frame height [mm]	510
Door frame width [mm]	656
Combustion chamber height [mm]	452
Combustion chamber width [mm]	542/387
Combustion chamber depth [mm]	232
Flue pipe outlet, diameter [mm]	180
Outside air connection diameter [Ø mm]	125
dR Distance rear [mm]	0
dS1 Distance left [mm]	0
dS2 Distance right [mm]	0
dP Radiation front [mm]	800
dF Radiation to the floor [mm]	not applicable
dB Distance bottom [mm]	0
dL 1 Radiation left [mm]	not applicable
dL 2 Radiation right [mm]	not applicable
Safety distance to insulation, rear [mm]	60
Safety distance to insulation, right [mm]	60
Safety distance to insulation, floor [mm]	0
Insulation material thickness to installation base [mm]	0
Insulation material thickness to ceiling [mm]	-
Insulation material, left [mm]	40
Insulation material thickness, right [mm]	40
Insulation material, rear [mm]	40
Cross-section, convection outlet [cm ²]	700
Cross-section, convection inlet [cm ²]	700
Max. amount of firewood fuel to be deposited [kg]	2.5
Ceramic flues - max. length [m]	-
Minimum distance from non-flammable materials [mm]	50

Output	
Water heat output	9.2
Nominal heat efficiency, air [kW] (AquaHeat only)	3.3
Nominal heat efficiency [kW]	12
Maximum water operating pressure [bar]	3
permissible fuel filling quantity [Kg]	2.5
Minimum fuel throughput [kg/h]	-
Maximum fuel throughput [kg/h]	3.26
Water capacity [l] (AquaHeat only)	49
Permissible operating pressure max. [bar] (AquaHeat only)	3
Permissible flow temperature max [°C] (AquaHeat only)	105
Permissible operating pressure safety heat exchanger max. [bar] (AquaHeat only)	3
Flow pipe connections / return pipe connections (AquaHeat only)	3/4 / 3/4
Minimum heat output [kW]	-
Maximum heat output [kW]	12
Energy efficiency class	A+
Circulating air cross-section with metal heat recovery surface [cm ²]	700
Circulating air cross-section without metal heat recovery surface [cm ²]	700
Nominal water heat output [kW]	9.2
Combustion air requirement [m ³ /h]	46.08
Data for the chimney sweep	
Exhaust gas mass flow [g/s]	12.2
Flue gas temperature [°C]	265
Minimum delivery pressure at nominal heat output [Pa]	12

The design of the hypocaust must ensure the transport of heat and the even distribution of heat within the cladding so that no part of the heating chamber can be overheated.

The size of the heat-dispensing cladding surfaces must be matched to the heat generator.

The necessary insulation thicknesses specified in the technical data for the protection of building surfaces adjacent to the heat-producing appliance have been determined with open air grilles in continuous operation and must therefore be supplemented by suitable measures (e.g. rear ventilation).

The closed system must be calculated and designed in accordance with the technical rules of the stove- and air heating constructors trade association.

7.3 Data for measuring the chimney/flue

Fireplace inserts with self-closing firebox doors.

Description: Fireplace insert EN 13229 - A1 / A. For values see Technical data.

TIP

When the draft is too great, the draft must be limited. Ensuring the correct draft is a matter for the stove/tiled stove builder.

TIP

For a chimney draft above 18 Pa it is urgently recommended that a throttle valve (available as an accessory) be incorporated into the connecting piece!

NOTICE

Operation allowed only with closed firebox.

Minimum cross-sections of chimney / combustion air pipe

Appliance	Minimum chimney cross-section	Minimum exterior air cross-section (for closed operation)	
		Up to 3 m length - max. 1 elbow	Up to 6 m length - max. 2 elbows
65x51 k aquaHeat	\varnothing 180 mm 180 / 180 mm	120cm ² Pipe \varnothing 125 mm	175cm ² Pipe \varnothing 150 mm

The following points are to be observed for exterior air conduits:

- do not create a bend, as the cross-section will be reduced
- keep cross-section constant
- The free air passage at the air grille must not be less than the actual cross-section of the recommended external air duct
- there must be no negative pressure (suction) at the point of the air duct intake, even in unfavourable wind conditions

Data for the chimney sweep	
Exhaust gas mass flow [g/s]	12.2
Flue gas temperature [°C]	265
Minimum delivery pressure at nominal heat output [Pa]	12

8 Transport, handling and storage

8.1 Transportation



Fig. 7: Crate

Every Austroflamm fireplace insert is packed for protection and environmental friendliness.

The packaging consists of:

- The pallet,
 - crate and
 - protective film.
- 1) The packaging consists of untreated local wood or materials.
 - 2) Use a lifting truck or forklift to transport the crate including the fireplace insert.
 - 3) The fireplace insert is secured with cable binders to the side struts of the crate. These cable binders must be removed.
 - 4) The crate is dismantled by the removal of the 4 screws which connect the bottom of the crate to the pallet.
 - 5) The loose wooden crate must be removed from the hybrid fireplace insert.
 - 6) Undo the fireplace insert from the pallet. To do so, 4 metal claws on the palette surface must be unscrewed.
 - 7) Remove the air cushion / transport protection.
 - 8) Immediately checked the goods delivered for completeness and damage in transit.
 - 9) Check the accessory kit: glove, guide, any mains cable, information sheets etc. The accessory kit is in the firebox.
 - 10) Before installing the fireplace insert, check that all movable parts are working. Any defects before the installation of the fireplace insert must be reported.

8.2 Storage

The fireplace insert must be stored in a dry room/warehouse. Protect against dirt, heat and moisture.

The following illustrations are attached to the crate and must be observed:



- Fragile - always place upright - protect against moisture and store dry.
- Remove and dispose of packing material in an environmentally friendly manner.
- The crate can be disposed of in the separate collection for packaging. Local disposal regulations must be observed.

9 Requirements to be met by the place of installation

9.1 Requirements to be met by the installation room

Fireplaces must not be set up in:

- spaces in which the required combustion air supply is not guaranteed.
- spaces which are generally accessible, especially emergency exits staircases in residential building with no more than 2 apartments are not included in general accessible spaces.
- spaces in which easily flammable or potentially explosive substances or mixtures are processed, stored or manufactured.
- spaces, apartments or units from which air is extracted with the aid of ventilators, such as ventilation- or hot-air heating installations, extractor hoods or exhaust air tumble dryers. Unless the safe function of the fireplace insert is ensured:

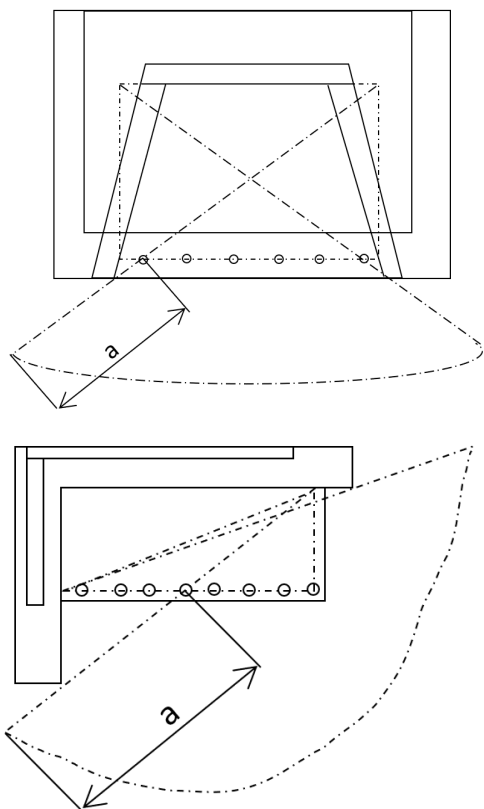
This is ensured if:

- the systems only circulate air within a space.
- the systems have safety features which autonomously and reliably prevent negative pressure in the installation space.
- simultaneous operation of the fireplace and the air-extracting system is prevented by safety features.
- the flue gas routing is monitored by a particular piece of safety equipment.
- no negative pressure greater than 0.04 mbar occurs overall via the combustion air flow of the fireplace insert and the volume flows of the ventilation systems in the installation room and rooms connected via the ventilation network. This must also be guaranteed when easily accessible ventilation system control equipment is adjusted or removed.

TIP

When operating a controlled living room ventilation system, the use of a DIBT-tested heat-producing appliance connected to a balanced flue is recommended.

9.2 Safety distance



No flammable objects may be placed within the radiation area of the fireplace insert up to a certain distance (see Technical Data) measured from the front edge of the firebox opening (a minimum clearance in the Technical Data).

Fig. 8: Dimension "a" as per technical data (front minimum clearance)

9.3 Installing the fireplace insert

Observe the guidelines on fire safety, such as thermal insulation and air grille sizes.

⚠ DANGER

Fire hazard

Operating your Austroflamm fireplace insert with too high a fuel feed will create a risk of the chimney and adjacent components or furniture overheating.

9.4 Combustion air supply

For heat-producing appliances that draw their combustion air from the installation room an adequate supply of combustion air into the room must be provided. Other heat-producing appliances or ventilation facilities in the installation room or combustion air network may make a separate combustion air supply from outside necessary.

Air suction systems (e.g. ventilation system, cooker hood, etc.) that are operated together with the heat-producing appliance in the same room air network may disrupt the combustion air supply and possibly require additional safety measures under the heating regulations.

Combustion air supply via direct duct (balanced flue operation)

The combustion air supply can also be fed via a direct duct from outside to the fireplace insert. For this purpose the combustion air must be safely routed from the house's external air connection directly to the combustion air trunking.

The duct cross-section can be determined with the help of the pressure-volume diagram (see technical rules of the Stove- and Air Heating Constructors Association). See Section "Min. cross-section of chimney combustion air duct". This method of connection is generally recommended.

Combustion air supply from the room (balanced flue operation)

The Austroflamm fireplace insert obtains its combustion air exclusively via the direct combustion air trunking directly from the installation room.

For all the models described in this manual you will find the combustion air trunking on the underside of the combustion chamber. For this reason a faultlessly working combustion air feed into the heating chamber must be ensured. This absolutely requires the correct dimensioning of the circulating air cross-sections, in addition to the necessary combustion air cross-section. The correct positioning of the corresponding openings into the heating chamber is very important.

Non-compliance can cause a lack of air during combustion.

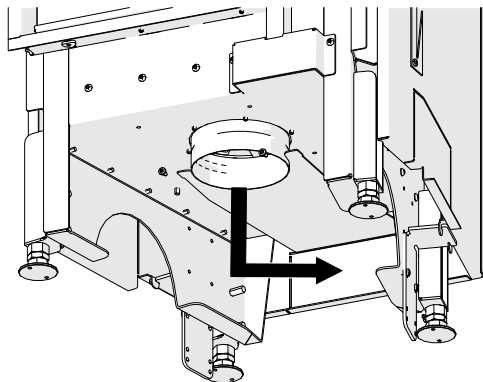


Fig. 9: Combustion air trunking

The combustion air trunking must always be connected, as otherwise no combustion air is routed into the firebox.

9.5 Combustion air duct

Combustion air ducts must be made of dimensionally stable construction materials, sealed and accessible for inspection and cleaning. Consideration must be given to possible condensation formation from falling below the dew point and prevented by suitable insulation.

For combustion air ducts in buildings with more than 2 full storeys and combustion air ducts which bridge firewalls, the ducts must be executed so that fire and smoke cannot be transmitted into other storeys or fire sections (see state building regulations).

9.6 Requirements to be met by the chimney

Before set-up or installation of the Austroflamm fireplace insert, the chimney must be checked for its size and quality under the existing local regulations (respectively state building regulations, heating regulations and DIN 18160, Part 1). The mathematical proof of the adequate function of the chimney must be provided in accordance with EN 13384. Consideration must be given when making the calculation that the substantially greater quantity of air can also be safely removed when the door is open (stoking up fuel).

The operation of your Austroflamm fireplace insert is primarily dependent upon the faultless working of the chimney.

TIP

Care must be taken that all openings, such as openings for cleaning, of fireplace being used are closed during operation.

9.7 Multiple occupancy

All Austroflamm fireplace inserts in this manual have been checked and approved under DIN EN 13229 with self-closing and locking door (designated BA1). Appliances intended to operate BA1 can be connected to a multiple-occupied chimney (if multiple occupancy is possible). The calculation is made according to DIN EN 13384 Part 2.

NOTICE

Multiple occupancy of the chimney is not allowed with balanced flue operation!

9.8 Flue pipe connectors

The connecting piece must be selected in accordance with DIN EN 13384.

The connection between fireplace insert and heat recovery surface or to the chimney must be made using steel flue pipes with a minimum wall thickness of 2 mm, or flue pipes made of austenitic, non-rusting steel with a minimum wall thickness of 1 mm.

The connecting piece must be connected directly to the chimney.

The connecting piece inside the cladding must be covered with at least 3 cm thick, dimensionally stable, non-flammable insulation material of Class A1 as per DIN 4102, as described in the section Thermal insulation layers and materials.

This does not apply to connecting pieces that are intended for heating convection air and for which fire hazard is otherwise excluded.

10 Fuel material/-quantity

10.1 Fuel material

Wood

Many of our native types of wood can, after being appropriately dried, be burnt CO₂-neutral in heat-producing appliances. Wood stands out because it grows again, can be sustainably harvested, requires little or no extra external energy to be invested in the fuel, and has a short journey from the producer to the consumer, which provides an optimal climate balance.

The most common types of wood to use in the stove are beech, yoke elm, birch, larch, spruce and pine. The most important criterion for burning in a heat-producing appliance is that the fuel has been sufficiently dried through. For this purpose the prepared pieces of firewood should be stored for at least two years. The legislator stipulates a maximum water content of 20%. That is still however a lot of water sitting in the capillaries of the wood. A piece of firewood only becomes good when its water content comes to a maximum of 12 to 13%. The differences in combustion behavior are striking and clearly detectable even by the layman.

Types of wood other than the ones referred to above are also suitable for burning. However each heat-producing appliance should be checked for how their use affects combustion behavior. Oak for example burns with a rather shorter flame and more embers. Oakwood catches fire with greater difficulty, and due to hardness of the wood it is not split as well (small) as other types of wood, which again has a negative effect on combustion behavior. It is however a good energy source, and, correctly processed, also suitable as firewood.

Softwoods (fir, pine, spruce) should if possible be mixed with hardwood. Softwoods have a higher proportion of tannin, which leads to more deposits in the heat-producing appliance, the connecting pipes and the chimney. If only softwood is burnt, this can lead more quickly to a build-up of shining soot. Mixing with hardwood (for example, beechwood) reduces this effect.

The size of your heat-producing appliance's combustion chamber will dictate whether your firewood is 25cm, 33cm or 50cm in length. 50cm pieces of firewood should preferably dry for somewhat longer (laid down for three years or more), because wood is dried out mainly by the leakage of water from the capillaries - and that simply takes time. And the path from inside to outside in a 50cm-long piece of firewood is twice as long as in a 25cm-long piece of firewood. The important thing is that the wood is well split. This means that the circumference of a piece of firewood (once all sides are measured around the cutting point) must be a maximum of 15-25cm. Pieces of wood cut to this size dry more easily - above all, however, they give the fire (the temperature) a greater attack area and thus make it easier to evolve gas and thus to burn. Also the quantity of fuel can be better measured out. Thanks to their outstanding levels of efficiency, modern heat-producing appliances require just a fraction of the amount of wood of earlier stoves. Here smaller pieces of firewood can be placed according to the manufacturer's specifications - large pieces of wood often exceed the maximum specified quantity with just a single piece.

Not everyone has a hygrometer at home for determining the water content in wood, particularly when good reliable units cost several hundred euros. However you can make a good estimate of how suitable your fuel is by carefully observing combustion behavior. A "good" wood fire will only smoke briefly in the ignition phase, hardly at all after that. It will burn with a light (yellow to orange-colored) long flame. Little residue will occur in the combustion chamber, most of it disappearing again when the fire is fully developed. Another good criterion for assessing whether a piece of firewood is suitable for combustion is its weight. Most manufacturers also specify the amount to be laid in kg/weight. Example: a piece of beechwood 33cm in length with a circumference of approx. 20cm weighs approx. 1kg when it is suitable (dry enough) for burning. Therefore 25cm in length gives approx. 750 grammes, and 50 cm in length approx. 1.5kg.

Please observe at all times the maximum specified amount to be laid, even when putting on more wood! Otherwise your fire will not provide the desired efficiency - but above all considerable damage may be caused to your appliance, to gaskets and material and to the flue gas duct.

The wood may only be burnt untreated. NEVER burn treated woods, not even wood processed with natural substances or organic glazes. Wood waste does not belong in the stove!

Wood briquettes

Many people like wood briquettes as a fuel because they require less storage space than wood, can be stocked or sold in small quantities and - at least at first glance - make less work than wood. Within the scope of production, the quality of briquettes is consistent. Wood briquettes do not need to be stored for a long time to be dried out. Due to the raw material (unrefined chips) and the production process they have an already defined residual moisture.

If wood briquettes are designated as a suitable fuel, then this still only applies to this fuel, NOT for coal-, paper-, bark- or other pressed items, such as pellets.

In spite of various standardizations and many advertising promises, there are also considerable differences in quality in wood briquettes. But even with good fuel quality, combustion behavior is different from that of unrefined log. And not every wood briquette burns equally well in every stove. Before you decide on a particular variety and perhaps even store this up in larger quantities, you should extensively test the wood briquettes under various draft conditions. Most suppliers keep "test packages" for this purpose that can be purchased at preferential prices to test out and compare with one another the various types offered.

TIP

When burning wood briquettes, the maximum quantity specified in these instructions must also be observed. The quantity must not be exceeded.

As the wood is pressed and thus has little spatial volume for the same weight, modern heat-producing appliances with a low placement quantity often have "little fire heaps" occur, leading one to wonder whether a fire can burn at all with so little fuel. Nevertheless you must never exceed the maximum placement, because that would cause damage. Many wood briquettes change during the temperature increase when burning, by "opening up". This should not worry you as it is normal. When inserting wood briquettes make sure that this expansion as far as possible does not press not in the direction of the window, as otherwise this will get very dirty.

In principle you should not insert wood briquettes as one piece, but rather break them at the layer thicknesses, which are usually visible in slices, and place smaller pieces in the combustion chamber, not in an interlocking manner, but randomly. This way you will ensure that the combustion air reaches more burning material and flows around it better. Wood briquettes require a stronger air current, an expert eye and perhaps a bit more patience, until you get the knack of it. Since less volume is available (although the same mass, it takes less space up), the fire is generally smaller and does not burn so high and vivaciously as when burning log. When wood briquettes alone are burnt, this therefore generally leads to haziness in the combustion chamber, as well as on the stove window. Not all areas of the combustion chamber have the same temperature applied to them as when unrefined wood is burnt, which is why these deposits occur. It may be that with one variety of wood briquettes more deposits occur, whereas with another variety none at all. This suggests trying out various varieties to determine the suitable fuel for your heat-producing appliance. If you would really like to use wood briquettes, but don't get on quite well with them, then it may also help to mix the fuel. That means: Burn wood briquettes and unrefined log in the mixture ratio that achieves a good burning result for your heat-producing appliance.

Wood briquettes must also be stored dry. In general it can be said that pressed items with a hole in the middle usually burn better. Soft wood briquettes are to be preferred and are often more suitable than hard wood briquettes.

Approved fuel

Dry, properly stored, unrefined log (preferably hard wood) is permitted as fuel for our hybrid stoves. Round wood must be split at least once so that it lights better. The diameter of the split piece of wood must not exceed 7 cm.

Fuel

Only burn the recommended fuel.

Explosive substances

It is strictly forbidden to burn or introduce highly flammable or explosive substances (empty aerosols and the like) into the firebox or to store them in the immediate vicinity of your fireplace insert. Risk of explosion!

10.2 Fuel quantity

NOTICE

To avoid damage you must **NEVER** operate your fireplace insert a greater quantity of fuel than that specified in this manual!

For this purpose, please observe the section Technical data.

11 Installation instructions

NOTICE

Damage to the appliance

The fireplace insert must not have any connection to the housing (minimum gap width 3 mm), as otherwise damage may be caused to the appliance.

11.1 Set-up in front of or next to a wall to be protected

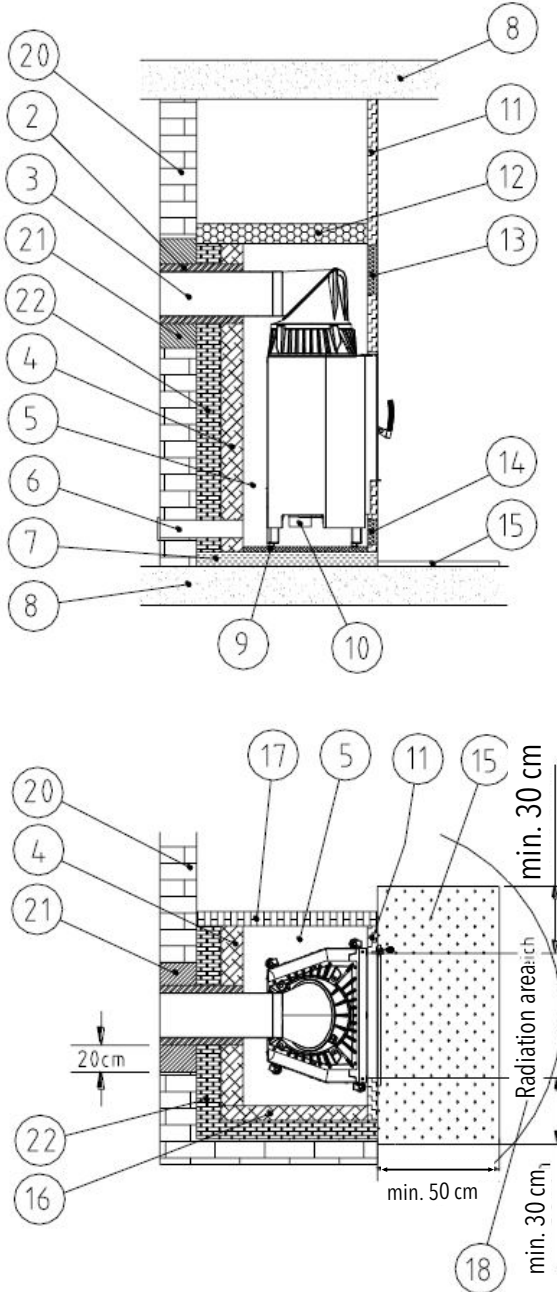


Fig. 10: In front of or next to a wall to be protected

2 Heat insulation layer (flue pipe)	3 Connector
4 Heat insulation layer (rear panel)	5 Convection space
6 Exterior air intake	7 Concrete slab at least 6 cm (only when being set up on a ceiling to be protected)
8 Ceiling	9 Heat insulation layer (floor)
10 Combustion air collar	11 Cladding (facing the room)

12 Heat insulation layer (ceiling)	13 Inlet air outlet grille
14 Circulation air intake grille	15 Shielding floor protection made of non-flammable building materials
16 Heat insulation layer (side wall)	17 Cladding (facing the room)
18 80 cm radiation area	19 Not applicable
20 Wall to be protected	21 Fire suppression at flue pipe passage
22 Min. 10 cm brickwork	

11.2 Set-up in front of or next to a wall not to be protected

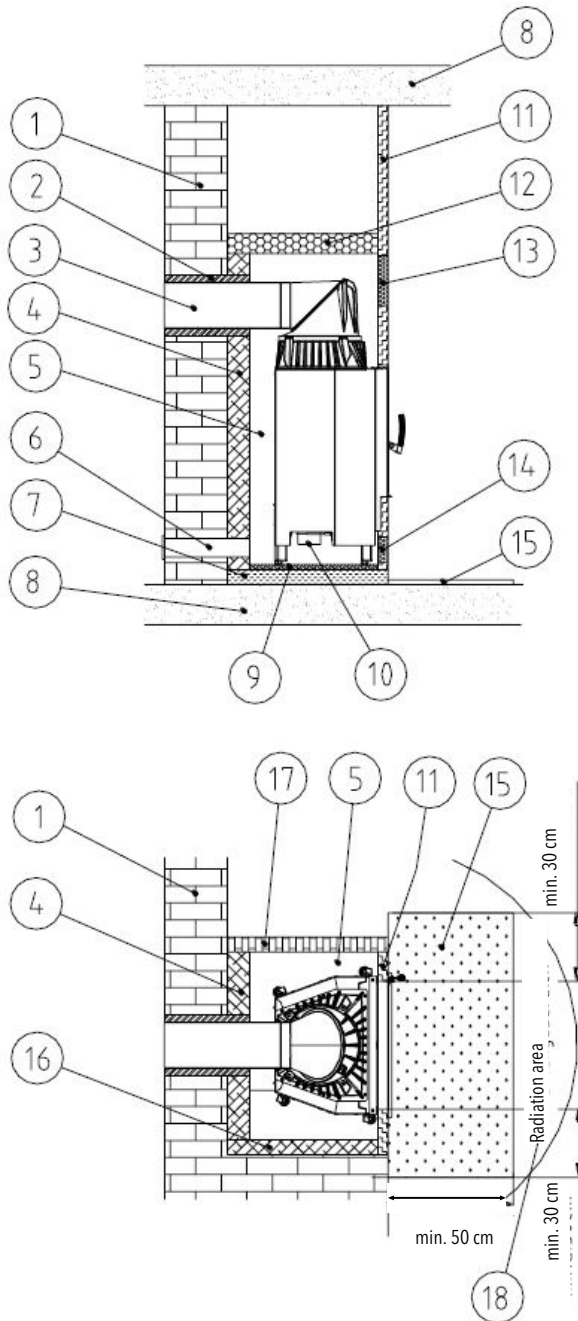


Fig. 11: Set-up in front of/next to a wall to be protected

1	Wall / building wall	2	Heat insulation layer (flue pipe)
3	Connector	4	Heat insulation layer (rear panel)
5	Convection space	6	Exterior air intake

7	Concrete slab at least 6 cm (only when being set up on a ceiling to be protected)	8	Ceiling
9	Heat insulation layer (concrete)	10	Combustion air collar
11	Cladding (facing the room)	12	Heat insulation layer (ceiling)
13	Inlet air outlet grille	14	Circulation air intake grille
15	Shielding floor protection made of non-flammable materials	16	Heat insulation layer (side wall)
17	Cladding (facing the room)	18	80 cm radiation area

Side and rear heat insulation layers

(all values based on Promasil 950 KS)

The facing brickwork (22) or building wall must (20) be protected behind the open flue with a 4 cm and next to the open flue with a 4 cm thick insulation layer (4,16). The cladding (11) must likewise be protected with an insulation layer. The cladding does not need to be protected if the open stove is designed in such a way that the free surfaces of the cladding and the surfaces of the niches for fuel storage can heat up to a maximum of 85 °C. For surfaces made of mineral construction materials, e.g. stove tiles, excluding surfaces on which objects may be placed, the value of 120 °C instead of the value of 85 °C. The increase of the maximum permissible temperature from 85 °C to 120 °C applies only to the more strongly inclined or vertical surfaces of the cladding made of mineral construction materials. This therefore allows the cladding to be developed as a heated tiled wall or similar.

11.3 Convection chamber

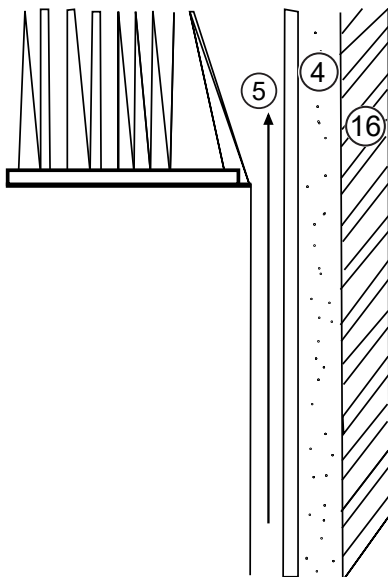


Fig. 12: Convection space

- If the convection cladding (appliance part) is not used, a convection space of at least 6 cm depth between fireplace insert (4) and insulation layer (16) to the rear and on both sides must be allowed for.
- The convection space (5) must be heat-insulated to all areas that are not heat-emitting claddings.
- The walls, the floor and the ceiling of the heating chamber must be clean and resistant to abrasion (see technical rules of the stove- and air heating constructors association). Therefore the insulation layer, if it is not calcium silicate slabs, must be protected with an abrasion-resistant material (heat shield/heating chamber plate or similar).

4	Convection space between fireplace insert and insulation layer
5	Convection space
16	Insulation layer

Convection air duct with convection cladding

All convection air ducts must be made of dimensionally stable, non-flammable construction materials. The warm air pipes must be fixed firmly to the warm air-/(supply) collar of the convection cladding and the grilles (optimally with collar plate).

11.4 Open fireplace system

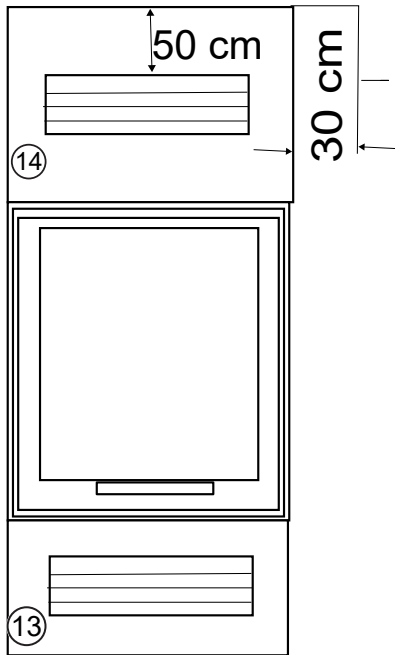


Fig. 13: Convection conduction

- You can find the cross-section for the air outlet (14) and air inlet (13) in the technical catalogue, the product data sheet from the homepage or the Technical Data section in this manual.
- Above at least 200 cm², air inlet and air outlet must not be lockable.
- There must be no flammable construction materials, e.g. wooden ceiling, and no furniture within a range of 30 cm next to and 50 cm above the air outlets (14).

13	Air inlet
14	Air outlet

11.5 Closed fireplace system (hypocaust)

The convection air circulates within the closed cladding. The heat is emitted via radiation above the cladding.

11.6 Protecting the installation floor

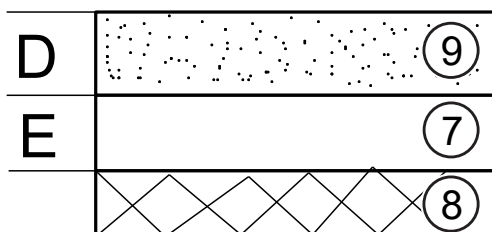


Fig. 14: Protecting the installation base

Installation bases (8) with flammable construction materials with a concrete slab (7) at least 6 cm thick (dimension E), which must be reinforced above installation bases without adequate lateral distribution, and above that by a thermal insulation layer (9) at least 5 cm (dimension D).

Bearing concrete- or reinforced concrete floors (8) must be protected by a thermal insulation layer at least 5 cm thick (9).

7	Concrete slab
8	Installation base (concrete or reinforced concrete)
9	Thermal insulation layer

11.7 Expansion joints

There must be no direct connection between fireplace insert and cladding (11). Therefore all points of contact between appliance and cladding must be separated with a sealing tape (glass fibre tape). Therefore neither must the frame (23) rest on the appliance or be screwed, bolted or welded to it.

11.8 Cladding

The room-facing cladding (11) must be made of construction material class A1 non-flammable materials. These are e.g. wall tiles, wall bricks, stove tiles, metal, plaster on lathing.

11.9 Fireplace surrounds

The fireplace apron must not have any direct connection to the fireplace insert. It must be set up to be self-supporting. The manufacturer offers various frames (23) for this purpose.

11.10 Decorative beams

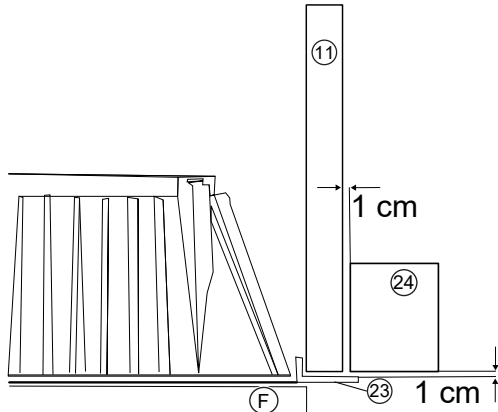


Fig. 15: Ornamental beam

The ornamental beams (24) are permissible at a distance of at least 1 cm in front of the cladding (11) and frame (23) of the open fireplace insert if:

- the ornamental beam is not a component of the building.
- the clearance spaces to the cladding are so open that no accumulation of heat can occur.
- the ornamental beam is not within the radiation area of the open fireplace insert.

11	Cladding
23	Frame
24	Ornamental beam
F	Expansion joint

11.11 Ceiling above the fireplace insert

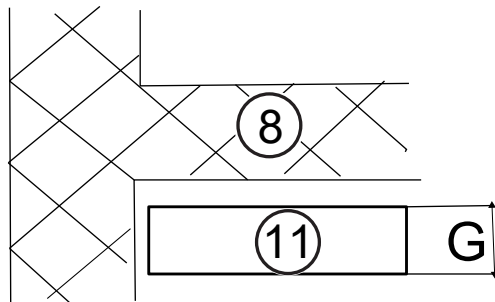


Fig. 16: Ceiling above fireplace insert

If the cavity above the fireplace insert reaches as far as the room ceiling (8), then the latter must be protected if:

- it consists of flammable components
- it serves as a bearing component

The thermal insulation layer (11) (dimension G) must be executed in compliance with the normal regional installation standards.

8	Room ceiling
11	Heat insulation layer

11.12 Floor in front of the fireplace insert

The floor in front of the fireplace insert must be made of flammable material. Minimum dimensions of this non-flammable area: forward at least 50 cm, to the sides at least 30 cm.

11.13 Fire protection

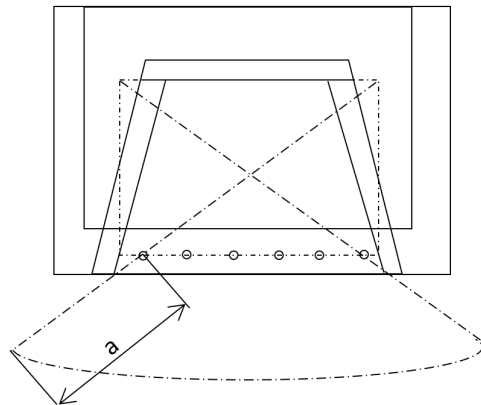


Fig. 17: a: Safety distance

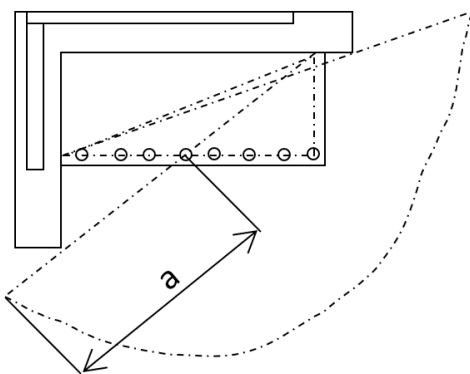


Fig. 18: a: Safety distance

Fire protection within the radiation area

Forwards, upwards and to the sides of the firebox opening, the minimum clearance (see Technical Data to components made of flammable construction materials or flammable components as well as furniture must be complied with. Half the distance is sufficient for an arrangement of radiation protection ventilated on both sides.

Fire protection outside the radiation area

From the outer surfaces of the cladding of the open fireplace insert a distance of at least 5 cm must be maintained from components made of flammable construction materials or flammable components and from built-in furniture. The clearance space must be so open to the air current that an accumulation of heat cannot occur. Components which only cover small areas of the cladding of the open fireplace insert (such as floors, butt-joined wall cladding and insulation layers on ceilings and walls) can be brought up to the cladding without any gap.

11.14 Thermal insulation layers and materials

Insulation layers must be made of heat insulating boards of construction material class A1 as per DIN 4102 Part 1 with a maximum application temperature of at least 700 °C and a bulk density of more than 80 kg/m³. The insulation material must be marked with the appropriate insulation material code number as per AGI-Q 132. Only the insulation materials which are listed in the following table may be used. If other insulation materials are used for the insulation layers, these must have an appropriate DIBT approval (German Institute for Structural Engineering Berlin) (e.g.: Promat calcium silicate thermal insulating board "Promasil 950 KS", Wolfshöher thermal insulating board "Prowolf", Wolfshöher thermal insulating board "Vermilite 2000", Thermax thermal insulating board "Thermax SN 400"). For building external walls and ceilings to be protected that have a U-value below 0.4 W/m², additional rear ventilation (see technical rules of the Stove- and Air Heating Constructors Association) will be necessary.

Insulation materials		Delivery		Insulation capacity		Upper maximum application temperature		Bulk density	
Group	Type	Group	Type	Group	Type	Group	In °C	Group	kg/m ³
10	Mineral fibre	1	Channels	1	Mats, size 1	20	-200	2	20
11	Glass fibre	2	Fibres, loose	2	Mats, size 2	25	-250	3	30
12	Stone fibre	3	Fibres, granulate			30	-300	4	40
13	Slag fibre	4	Felts			35	-350	5	50
		5	Laminated mat			40	-400	6	60
		6	Mats			45	-450	7	70
		7	Slabs			50	-500	8	80
		8	Shells			55	-550	9	90
		9	Segments			60	-600	10	100
		10	braids	10	Shells size1	65	-650	11	110
				11	Shells size2	72	-700	12	120
						75	-750	13	130
						80	-800	14	140
						85	-850	15	150
				20	Slabs size 1	90	-900	16	160
				21	Slabs size 2			17	170
								18	180
								19	190
								20	200
		99	Other	99	Specification	99	*	99	*

*divergent test conditions

Thermal insulation layers must be seamless and overlapping.

If thermal insulation layers within the convection area are used for all fireplace inserts without convection cladding made of mineral wool, these must also be clad in an abrasive-resistant and non-reflective manner (e.g.: with black plate or sheet steel or galvanised sheet iron).

It is vital to ensure that the thermal insulation materials have sufficient heat resistance (min. 700 °C). Otherwise odours may form in the firing operation.

11.15 Electrical wiring

There must be no electric cable runs in walls and ceilings within the installation area of the fireplace insert.

11.16 Fireplace inserts tested for balanced flue operation

Flue pipe connection

- The flue pipe connection must be permanently tight
- The flue pipes used must be DIN EN 1856-2 tested.

Combustion air connection:

- The combustion air connection must be sufficiently tight
- Aluminium flexible pipes must not be deformed

12 Installation



Installation must only be carried out by an authorized specialist company.

Before installing the fireplace insert, check that all movable parts are working. Any defects must be reported before the installation.

In the following sections we will give you information on

- the integration or attachment of appliance parts, and
- other important facts relating to the installation.

The protective equipment and tools listed are required for the following work steps

Type of protective equipment	
	Safety gloves
	Safety shoes

Work equipment	Activity
Insulated tools	In order not to damage or scratch the varnish, no sharp objects or tools should be used. Instead insulated tools are used by preference when assembling and disassembling stove parts.
Torx wrench set	various installation jobs
Allen key set	Various installation jobs
Fork wrench set	various installation jobs

12.1 Procedure

12.1.1 Placing the fireplace insert

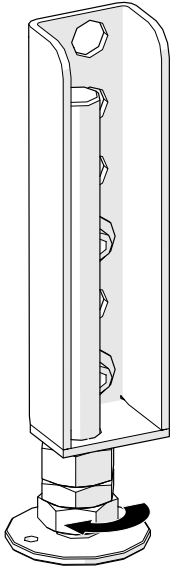


Fig. 19: Readjusting adjustable feet with SW24

- 1) Place appliance on prepared load-bearing base.
- 2) Adjust the four adjustable feet with an SW24 spanner.
 - Should the length of the threaded rod be insufficient, the four mountings can be adjusted in height.

12.1.2 Removing the Keramott transport lock / installing the baffle plate

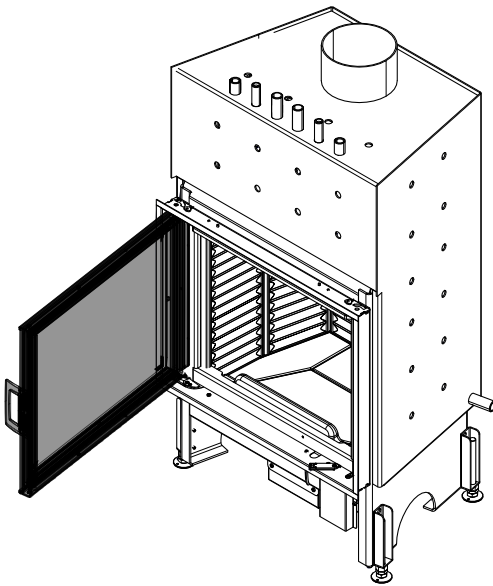
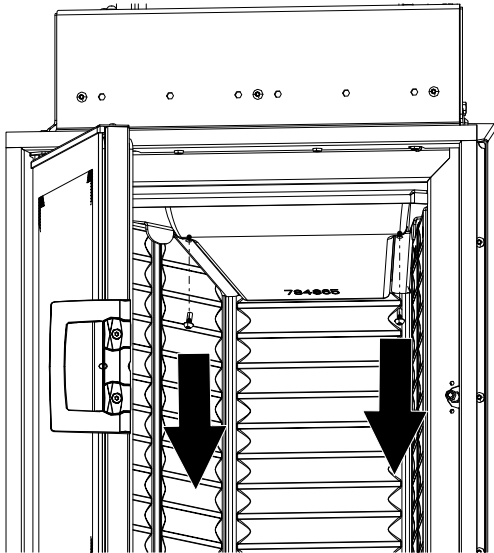
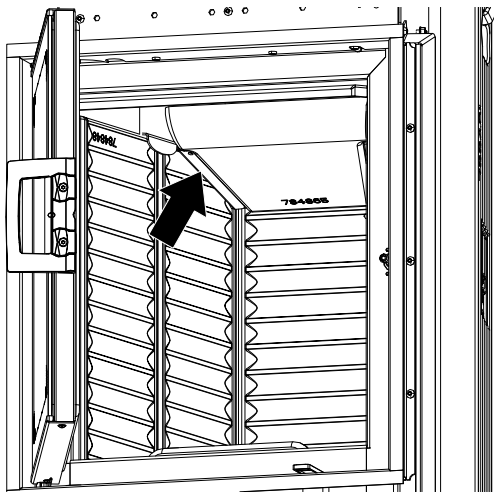


Fig. 20: Opening the door

- 1) Open door.



2) Undo screws(2x).

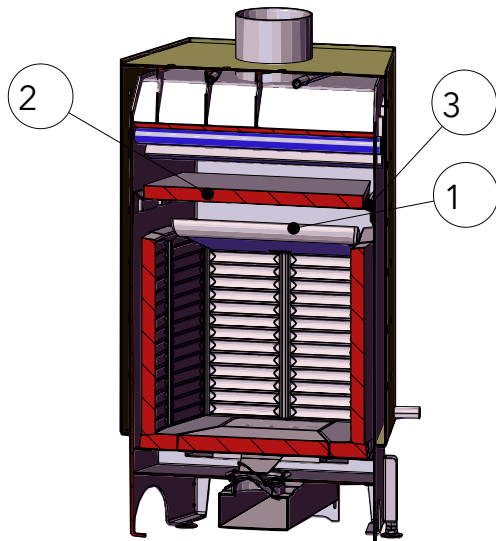


3) Remove transport lock.

4) Insert baffle plate.

12.1.3 Installing the baffle plate

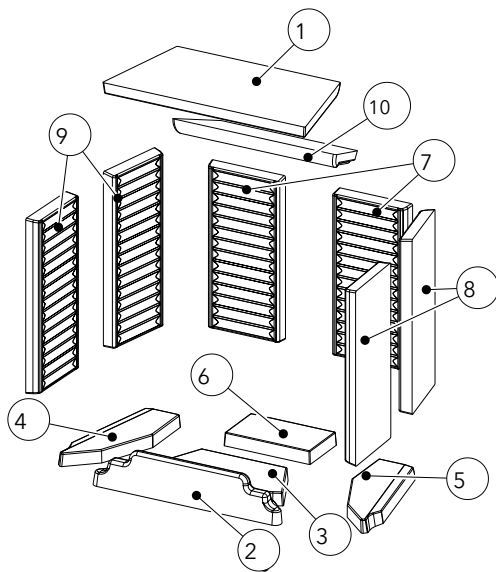
The Keramott elements of the fireplace insert are already preinstalled. Only the Keramott deflections need to be installed.



- 1) Remove Keramott (1).
- 2) Place baffle plate (2) on to the mounting (3) and reinsert Keramott (1).

Fig. 21: Installing the baffle plate

12.1.4 Installing the firebox lining (Keramott)



Numbering = installation sequence

Fig. 22: Keramott

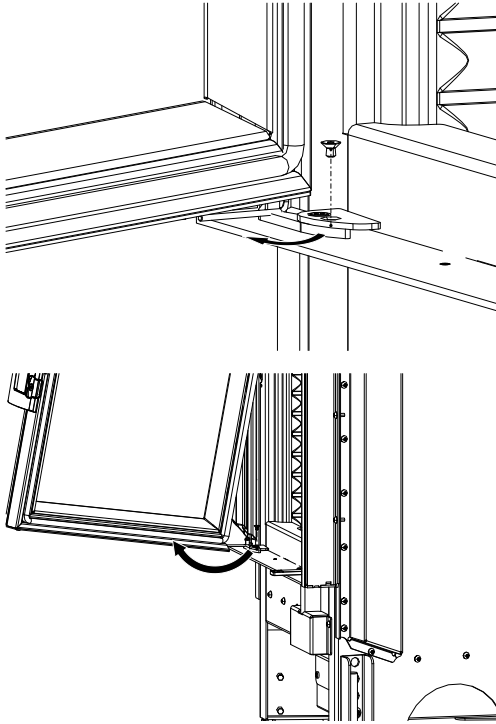
12.1.5 Mounting the firebox door

⚠ CAUTION

Risk of crushing injury

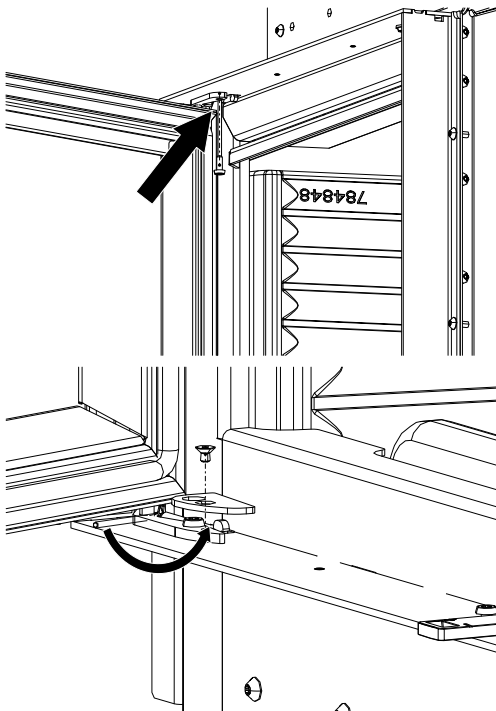
When mounting or removing the door, be careful not to trap your fingers/hand when the spring is tightened or released.

12.1.5.1 Removing the door



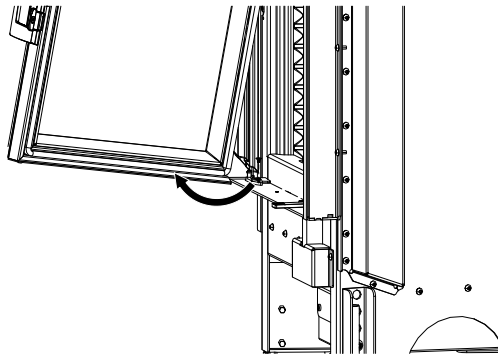
- 1) Open door up to 80 degrees.
- 2) Remove the locking plate above the spring.
- 3) Release spring.
- 4) Lift door vertically until the lower door bolt is free.
- 5) Pull the bottom of the door towards you so that the bottom of the door is free.
- 6) Lower the door and release it from the upper mounting.

12.1.5.2 Fitting the door

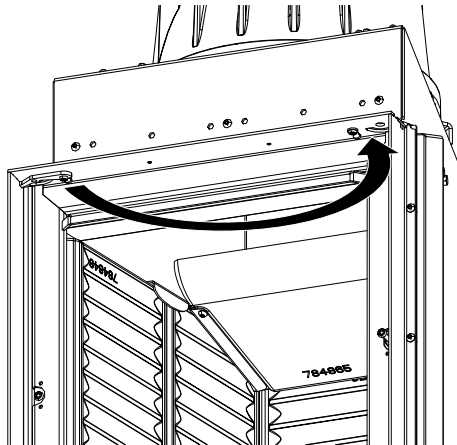


- 1) Position the door at a slight angle.
- 2) Insert the upper bolt.
- 3) Place door vertically.
- 4) Insert the lower bolt.
- 5) Lower door until the door is seated.
- 6) Tighten the spring until it engages behind the hinge bearing.
 - ⇒ Be careful that the spring does not spring backwards again - CRUSHING HAZARD!
- 7) The door must be adjusted. Proceed as described in the section Adjusting the door [▶ on page 54].

12.1.5.3 Converting to a right-hinged door



- 1) Lift door vertically until the lower door bolt is free.
- 2) Pull the bottom of the door towards you so that the bottom of the door is free.
- 3) Lower the door and release it from the upper mounting.



- 4) Mount all screws and hinge bearings on the other side.

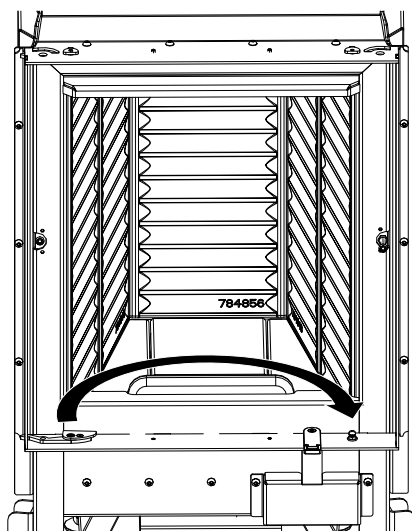
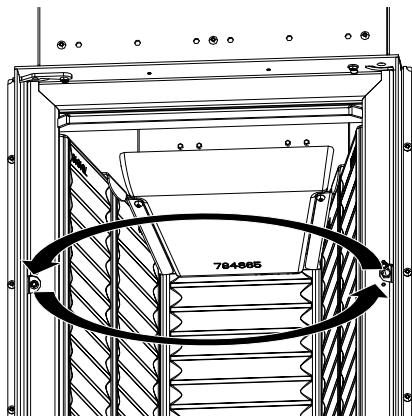
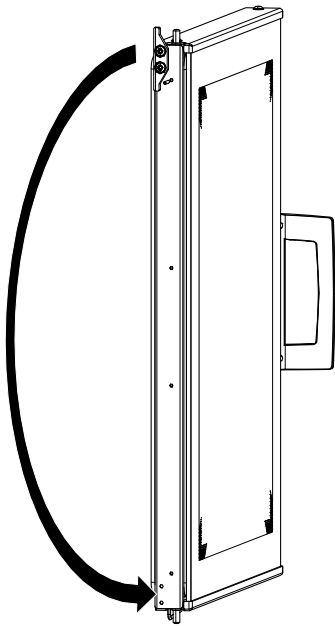
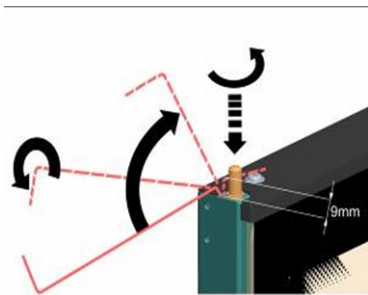


Fig. 23: Converting screws and hinge bearings



5) Install spring and hinge on the other side.



6) Hook in the spring and tighten it until the bolt stops.

⇒ 9 mm projection!

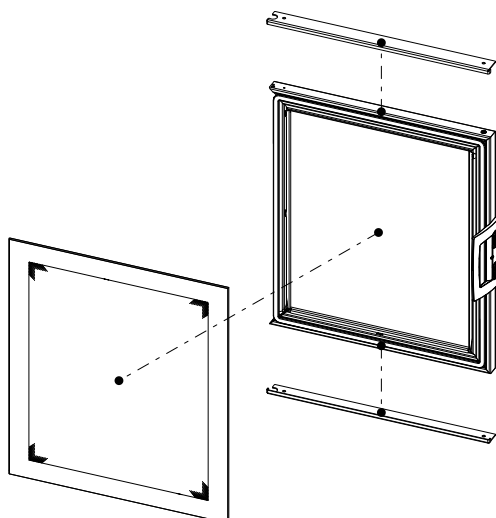
7) Rotate door by 180° and install it as described in the step Installing the door.

8) Adjust door. Proceed as described in the section Adjusting the door [▶ on page 54].

12.1.6 Converting the radiant panels to a right-hand stop

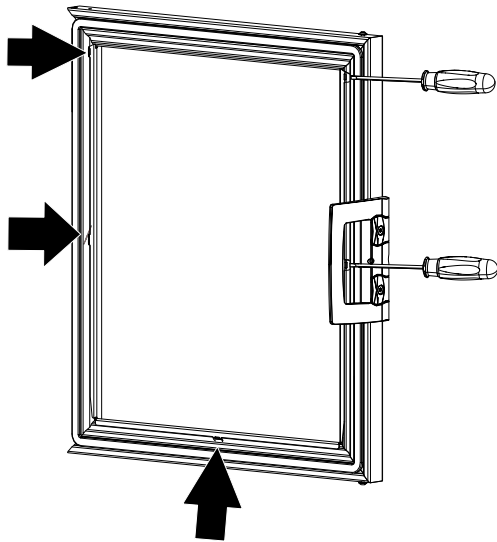
The sheet metal heat deflector must be turned 180° in the door when it is hinged to the right (horizontal part always at the bottom), as otherwise the secondary air intake is severely impaired, resulting in poorer combustion and heavy soiling of the glass pane.

12.1.6.1 Conversion



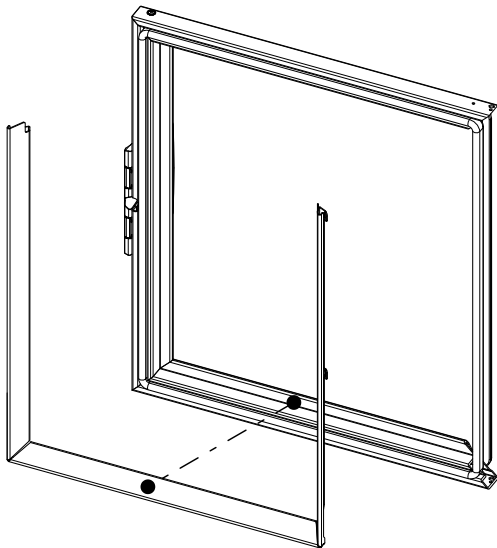
1) Remove all parts (except folding handle).

Fig. 24: Removing all parts

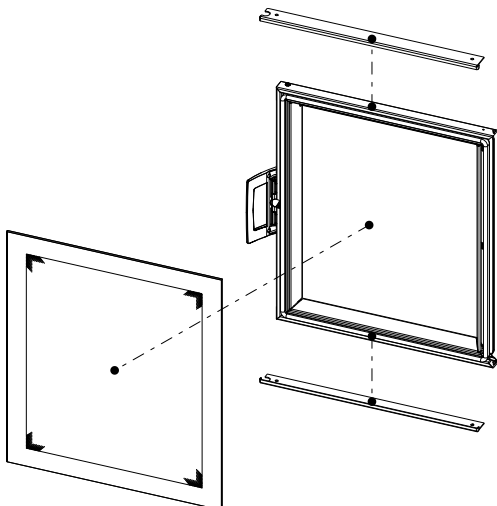


2) Bend open all tabs using slotted screwdriver.

Fig. 25: Bending open the tabs



3) Install the sheet metal heat deflector on the right-hand side and bend the tabs to the frame using the pliers.



4) Reinstall all parts.

12.1.7 Converting the combustion air connection piece

The combustion air is fed through a collar. The combustion air adjustment and conversion of the collar is carried out by the operator.

12.1.8 Mounting the design frame

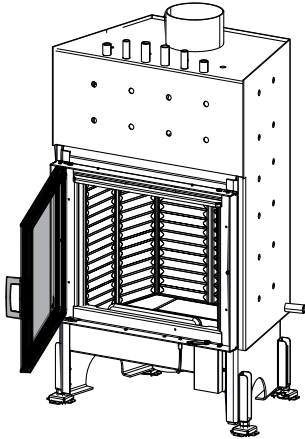


Fig. 26: Opening the door

1) Open door.

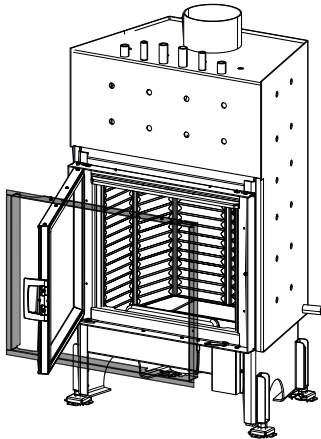


Fig. 27: Attaching the design frame

2) Carefully attach design frame above the door.

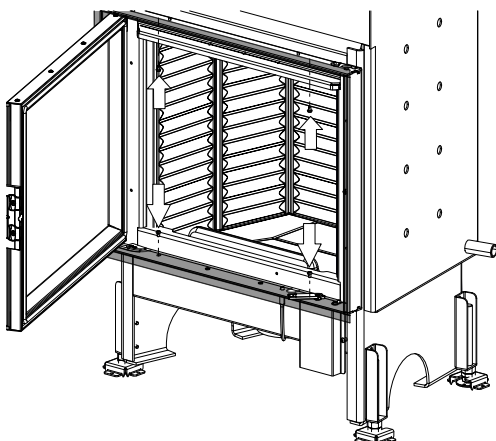


Fig. 28: Fastening the design frame

3) Fasten design frame at top and bottom to the fireplace insert using the four screws.

12.1.9 Mounting the flat elbow

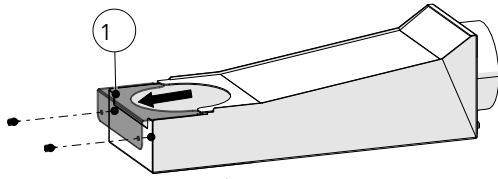


Fig. 29: Loosening the screws

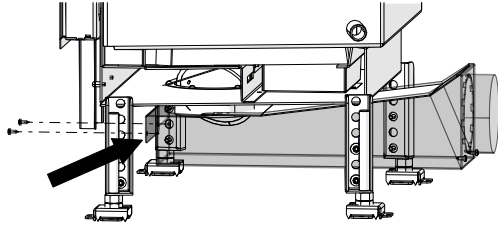


Fig. 30: Attaching the flat elbow

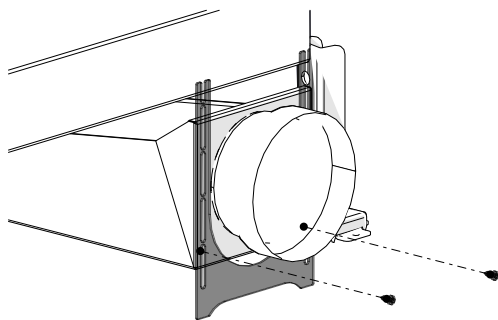


Fig. 31: Mounting the flat elbow

- 1) Remove the screws and slide the top cover (1) slightly forward.
- 2) Attach the flat elbow to the bottom of the fireplace insert and place the connection from the fireplace insert into the flat elbow.
- 3) Then bring the upper cover (1) into the original position and fasten using the screws.
- 4) Place the attachment on to the floor and use the screws to fasten to the flat elbow at the slots.

13 Adjustments

13.1 Adjusting the door

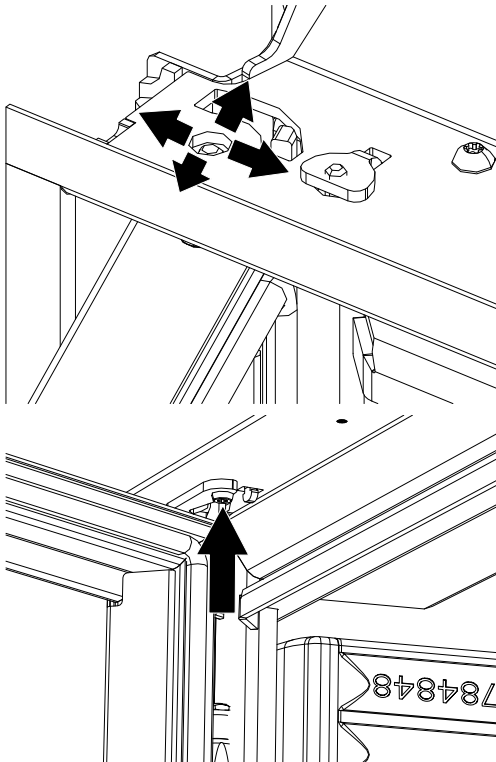


Fig. 32: Adjusting the door

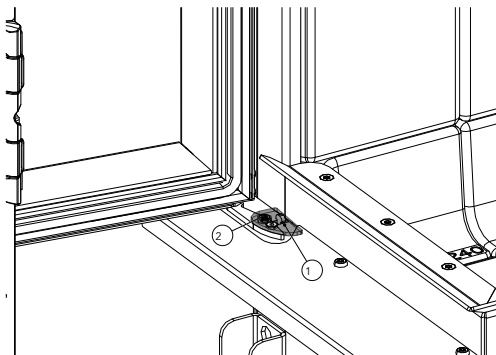


Fig. 33: Setting the door below

- 1) Loosen the screws and move the bolt sideways to adjust the door tilt angle.
- 2) The seal pressure can also be adjusted.
- 3) Tighten the screws again.

- 4) The door goes below, set with the same screw. If the cover (1) is mounted, it must first be dismantled. Undo the screw of the cover and take off the cover.
- 5) Loosen the screw (2) and use the plate to correctly set the door tilt angle.
- 6) Remount the cover (1).

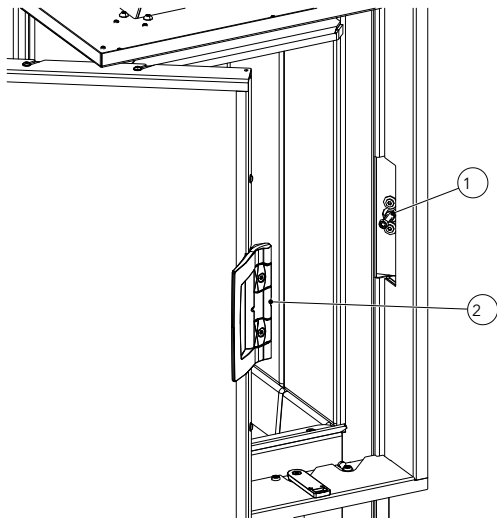


Fig. 34: Adjusting the door

- ✓ The screw (1) must be set in the centre so that the door seals properly and the notch on the handle engages properly (2).
- 7) The adjustment for the screw at the screw (1) can be made using the screws and the plate.
- 8) Check that the screw (1) correctly engages the notch (2) and that the door is tightly closed. Should this not be the case, repeat the previous step and correctly adjust the screw (1).

14 Commissioning

14.1 First start-up

- ✓ The initial commissioning of your fireplace insert should take place 4 weeks at the earliest after completion of the cladding, so that all cladding parts are able to dry out completely.
- 1) Remove all enclosed documents and appliance parts from the fireplace.
- 2) Read the operating manual through carefully before the initial commissioning.
 - ⇒ For optimally lighting we refer you to the section Lighting [▶ on page 59] explained.
 - ⇒ During the first fire after the system has been completed, this should be kept very small in the first hour and only gradually increased by increasing the amount of wood laid. However the amount of wood laid per hour must not be exceeded in the process.
 - ⇒ The odours during the first fire are caused by the evaporation of sheet metal greases and binding agents from the varnishing. Although unpleasant, these fumes are completely non-toxic. We therefore recommend that you well ventilate the room for the first few fires.
- 3) The water-side installation to the buffer tank must be professionally executed and completed as a whole.
- 4) The aquaHEAT buffer tank circuit must be completely filled with water and vented.
- 5) The leakage test of the installation must be successfully completed.
 - ⇒ The circulation pump in the boiler circuit must be connected and ready for use.
 - ⇒ The admission pressure of the cold water pipe to the thermal discharge safety device must be at least 2 bar.
- 6) The thermal discharge safety device and the safety valve must be connected and serviceable.
- 7) To prevent damage, when commissioning your aquaHEAT, fire it up with no more than the fuel quantity given in the user instructions.

NOTICE

To avoid damage you must **NEVER** operate your fireplace insert a greater quantity of fuel than that specified in this manual!

14.2 Function check

Before initial commissioning and at least once a year, the safety features and the boiler control unit must be checked for serviceability.

Checking the safety valve (SV)

- 1) Check and open the SV by turning the cap.
- 2) Then check that the SV closes tightly.
- 3) Once during the first functional test after the installation of a new SV the opening of the SV should likewise be tested via pressure. For this purpose, slowly increase the system pressure until the SV reacts. In doing so the trigger pressure of the SV should not be substantially above or below 2.5 bar.
- 4) After the function test, the system pressure must be checked and if necessary corrected to the necessary operating pressure (generally 1.5 to 2.0 bar).
- 5) Check the feed- and discharge pipe for any leakages.
- 6) Check the discharge point (e.g. funnel waste trap) for adequate discharge.

Checking the thermal discharge safety device (TAS)

- 1) Check and open the TAS servo valve by pressing the red button.
- 2) Then after releasing the button check that the valve closes tightly.
- 3) Once during the first functional test after the installation of a new TAS servo valve the functioning should be tested via temperature. For this purpose, put the aquaHEAT into operation and fire it up.
- 4) Switch off the boiler circuit pump.
- 5) The boiler temperature will now rise until the TAS is activated. The activation temperature should be at approx 95°C.
- 6) Now the boiler circuit pump can be put into operation again. However, at temperatures above 95°C in the boiler, the boiler circuit pump must not switch on (temperature safeguard).
- 7) When the boiler temperature sinks to below 95°C the TAS must close again tightly.
- 8) At boiler temperatures below 95°C the boiler circuit pump will switch on again.
- 9) Checking the feed- and outlet pipe of the TAS for any leakages.
- 10) Check the discharge point (e.g. funnel waste trap) for adequate discharge.

NOTICE

The TAS servo valve must be checked at temperature when installed.

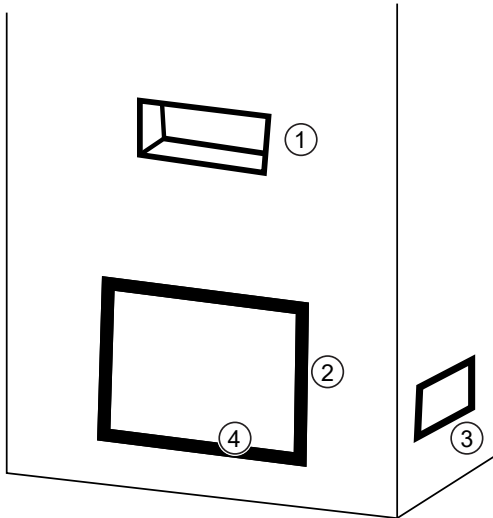
The activation temperature must only be reached via an appropriately high boiler temperature. On no account must the capillary sensor of the TAS be heated up, e.g. by fire or gas flame. Heating the capillary sensor up to over 180°C can lead to damage to the TAS unit.

Furthermore when checking at temperature, not only is the function of the TAS servo itself valve to be checked, but also the functioning within the boiler. Therefore it is not enough to check the TAS by immersing the sensor in boiling water.

15 Handling

15.1 Controls

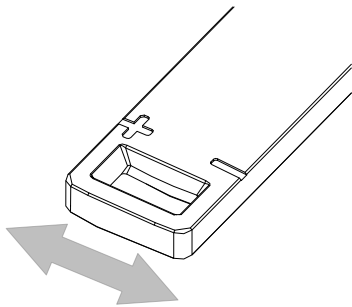
The series of appliances are characterised by their extremely simple operation.



Operation

1	Convection outlet
2	Door lock
3	Convection inlet
4	Combustion air controller

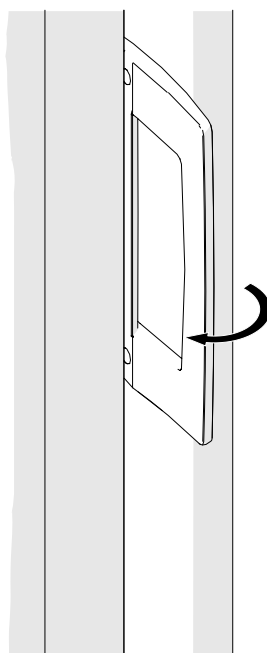
Fig. 35: Operating functions on the appliance



Combustion air controller

+	Maximum air feed for fast burning
-	Low heat output
	Average heat output

Door latch - hinged door



Unlocking

- 1) Press lock outwards
 - ⇒ Door frame is unlocked.
 - ⇒ Swing door out.

Locking

- 2) In the open door position (opening angle > 20°), release folding handle.
 - ⇒ Door frame closes by itself and the appliance is ready for use.

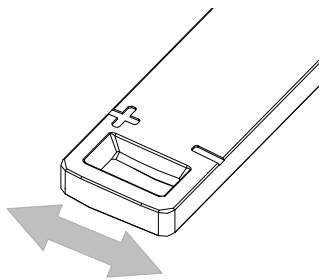
15.2 Before lighting the fire

The stove can only function properly if there is sufficient combustion air coming to the room of installation (the appliance), specially if several firing installations are being operated at the same time. Ensure sufficient air supply before heating up. Open the combustion air flap on the appliance and keep it open for the entire combustion period.

Devices for the supply of combustion air must not be modified.

15.3 Lighting the fire

In order for the appliance to operate correctly and safely, ensure that the chimney builds up the required feed pressure. This must be checked particularly when the appliance is used for the first time (after the summer period) and in the transitional period (e.g.: strong wind, fog, etc.). For this purpose, hold a match or lighter flame to the open fire door. If the flame is not drawn into the opening, buoyancy must be created in the chimney by means of a strong build-up of heat (e.g. from paper or matchwood). If this does not succeed, the stove must not be put into operation!



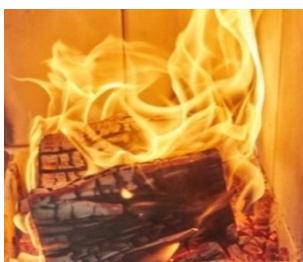
- 1) Turning the combustion air controller regulator completely to the left to the "+" position



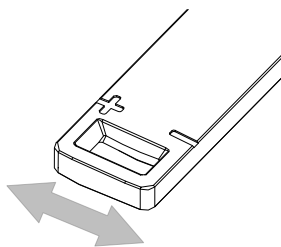
Fig. 36: Before kindling

- 2) If there is a throttle valve, open it fully.
- 3) Lay 2-3 pieces of log (1) (beech, oak, birch) across the bottom of the firebox.
- 4) Finely split softwood above it (2).
- 5) Place a firelighter (3) in the middle and light it.
⇒ Never use petrol, spirit or similar for ignition!

1	Log
2	Softwood
3	Firelighter



- 6) As soon as the logs have burned well all around after a few minutes, close the combustion air controller by approx. 50% (bring the regulator to the middle position) or close the throttle valve, if available, by 50% (handle to the left).



15.4 Heating

- 1) Combustion air damper maximum 50 % opened (regulator to middle position). Otherwise the amount of fuel laid burns off too quickly and the temperatures on the appliance become too high.
- 2) Throttle valve, if present, 50 % opened. Otherwise the amount of fuel laid burns off quickly.
- 3) Completely open all available warm air grilles.
- 4) If there are only embers left in the firebox, stoke up.

15.5 Adding firewood

Please note that the fireplace inserts are not slow-burn fires. These are temporary-burning fires, i.e. longer continual operation is achieved through repeated stoking up.

No loose or easily flammable items of clothing should be worn when laying the fire.

The right time for stoking up has come when the fuel has burnt down to the ember phase. Further deposits of wood are then generally no longer necessary.

To add more firewood:

- 1) Fully open air control lever.
 - ⇒ This prevents any eddies that would allow flue gases to escape. If there is one, fully open the throttle valve.
- 2) Fully open throttle valve.
- 3) Slowly open door.
- 4) Put wood on.
- 5) Close doors.
- 6) When the wood is burning properly, close the air control lever back to about ½ position and close throttle valve again up to 2/3 (turn to the left).

15.6 Heating in the transitional period

In the transition period, i.e. during high external temperatures, a sudden temperature rise can disrupt the chimney draft so that the fuel gases are not completely drawn off. In this case the appliance must be filled with smaller quantities of fuel and operated with the air damper/-controller on a higher setting so that the available fuel combusts more quickly (with a flame developing) and the chimney draft stabilized as a result.

TIP

To prevent resistance in the firebed, the ashes should be removed more frequently.

15.7 Operating mode

We would particularly like to point out at this point that Austroflamm fireplace inserts must only be operated with doors closed. The best efficiency and thus optimal fuel efficiency is achieved in closed operation.

16 Maintenance

Have the maintenance carried out by an Austroflamm dealer or an Austroflamm service engineer.

17 Cleaning

17.1 Cleaning fireplace insert, fuel gas flues

Fireplace insert including the heat exchanger surfaces must be cleaned at least 1 x per year or where necessary in order to guarantee economic and trouble-free operation.

The necessary work should be carried out by the manufacturer of the system or an appropriate specialist company. For this purpose the conclusion of a maintenance contract is recommended.

The chimney must likewise be regularly cleaned by the district master chimney sweeper. The latter will inform you of the necessary intervals.

17.2 Emptying the ash box

NOTICE

Please note that when removing the ashes, embers could be in the firebox. Remove ashes only when the fireplace insert is in a cold state.

- On a regular basis and in good time (at least 1 x per week) remove the ashes from the firebox.
 - If the firebox is not regularly cleaned of ash then there is a danger that the combustion air openings become blocked and the appliance suffers damage.

To remove the ashes, proceed as follows:

- 1) Open the door.
- 2) Remove ashes with a shovel and brush or with an ash vacuum cleaner.

17.3 Cleaning the door window

Spray window with glass cleaner and leave it for a moment to take effect.

- We recommend cleaning the glass with our Austroflamm glass cleaner or a commercially available window cleaner.
- Prevent door- or window seals from coming into contact with water or cleaner, since these will otherwise harden and in doing so lose their function. Only intact seals ensure that your fireplace insert functions flawlessly.

18 Help

Problem	Cause	Solution
The glass window is sooty	Inadequate chimney draft or possibly too high	from time to time (depending on use) the window must be cleaned with glass cleaner Clarification with chimney sweeper (poss. extend chimney/measure draft)
	incorrect operation of the air control	It is imperative that the air controller is operated in accordance with the instructions (if secondary air is closed too far, the glass pane will become sooty very quickly)
	excessively large pieces of log log too damp	Comply with quantity and size according to the instructions
	Operating temperature has not been reached	Use more fuel, dry wood (< 15 % residual moisture), pay attention to air regulation
The chimney is too short	The chimney draft is insufficient	Ask your chimney sweep to carry out a draft measurement
	Exhaust ducts and combustion chamber sooted up	Use more fuel, dry wood (< 15 % residual moisture), pay attention to air regulation
The fireplace insert emits a strong odour and smokes externally	Stove-enamelling phase of the varnish	During the first heating cycles, the varnish hardens and smells in the process
	The fireplace insert surface is dusty/soiled	Keep the surfaces of the fireplace insert clean Keep the floor area clean around the fireplace insert
Flue gas escapes when stoking up and during the heating phase	Chimney draft too low or too strong, flue pipe connection leaky	Check connection points and if necessary reseal Check chimney draft
	Door opened before combusted down to embers	Only stoke up when only embers are present (no more visible flames)
The fire is too weak and/or goes out	Air regulator closed (-)	Air regulator open (+)
	Wood too damp	Are you using dry wood (< 15 % residual moisture)?
	External temperature too high (>15 °C)	
The room is not warm enough	Convection air grille closed	Open convection air grille
	Chimney draft too high	Clarification with chimney sweeper (poss. shorten chimney/measure draft)
The fire burns down too quickly and uncontrollably	Air regulator open (+)	Throttle combustion air supply after the operating temperature has been reached in the firebox (+ / -)
	Seals worn	Check whether the seals on the inside of the door are continuous and in working order, if necessary replace
	Firebox door not closed properly	Closing the firebox door
	Chimney draft too high	Clarification with chimney sweeper (poss. shorten chimney/measure draft)

Problem	Cause	Solution
Ceramic windows become sooty very quickly	Unsuitable wood used	Use dry unrefined wood. See information about this in the Fuel section
	Operating temperature not reached	Bring fireplace insert to the operating temperature
		Sooting up of the window after 8- 10 hours of fires is normal
	Chimney draft too low	Contact chimney sweep
There is air in the system	Ventilator is incorrectly set	Always set ventilator at the highest point
	Ventilator defective	Change ventilator
	System pressure too low	Air is being sucked into the system Increase system pressure
	Expansion tank too small	when heating up, water is blown off via the SV, when cooling down, air is sucked into the system Install larger expansion tank
The boiler is sweating	Return flow temperature boost has not been installed	Install return flow temperature boost
	Return flow temperature boost defective	Change return flow temperature boost
Buffer tank does not get warm	There is air in the system	Vent system
	Circulation pump defective	Change circulation pump
	Boiler temperature is insufficient	Heat up more
	Heat exchanger surface contaminated	Clean heat exchanger surface
	Return flow temperature boost defective	Change return flow temperature boost
TAS starts up		Urgently consult your fireplace builder
	Buffer tank not heated up	Heat up buffer tank
	Return flow temperature boost defective	Change return flow temperature boost
SV keeps starting up		Urgently consult your fireplace builder
	Expansion tank too small	Install larger expansion tank
	System pressure too high	Lower system pressure

18.1 Firebox lining

The lining of your fireplace insert is made of Keramott, a high-quality material with special combustion properties and an attractive appearance. This lining may show superficial hairline cracks during or after operation, but these do not affect the functioning of the appliance. It is not necessary to replace such parts!

18.2 What to do in the event of a chimney fire

If the wrong fuel is used or if the fuel is too moist, a chimney fire can occur due to deposits in the chimney.

- 1) Call the fire brigade and the district chimney sweep!
- 2) Shut-off the combustion air.
- 3) Allow access to the cleaning openings (e.g. cellar and attic).
- 4) Remove all combustible materials from the chimney.
- 5) Inform your district chimney sweep before reusing your fireplace insert, and have your chimney inspected for any damage.

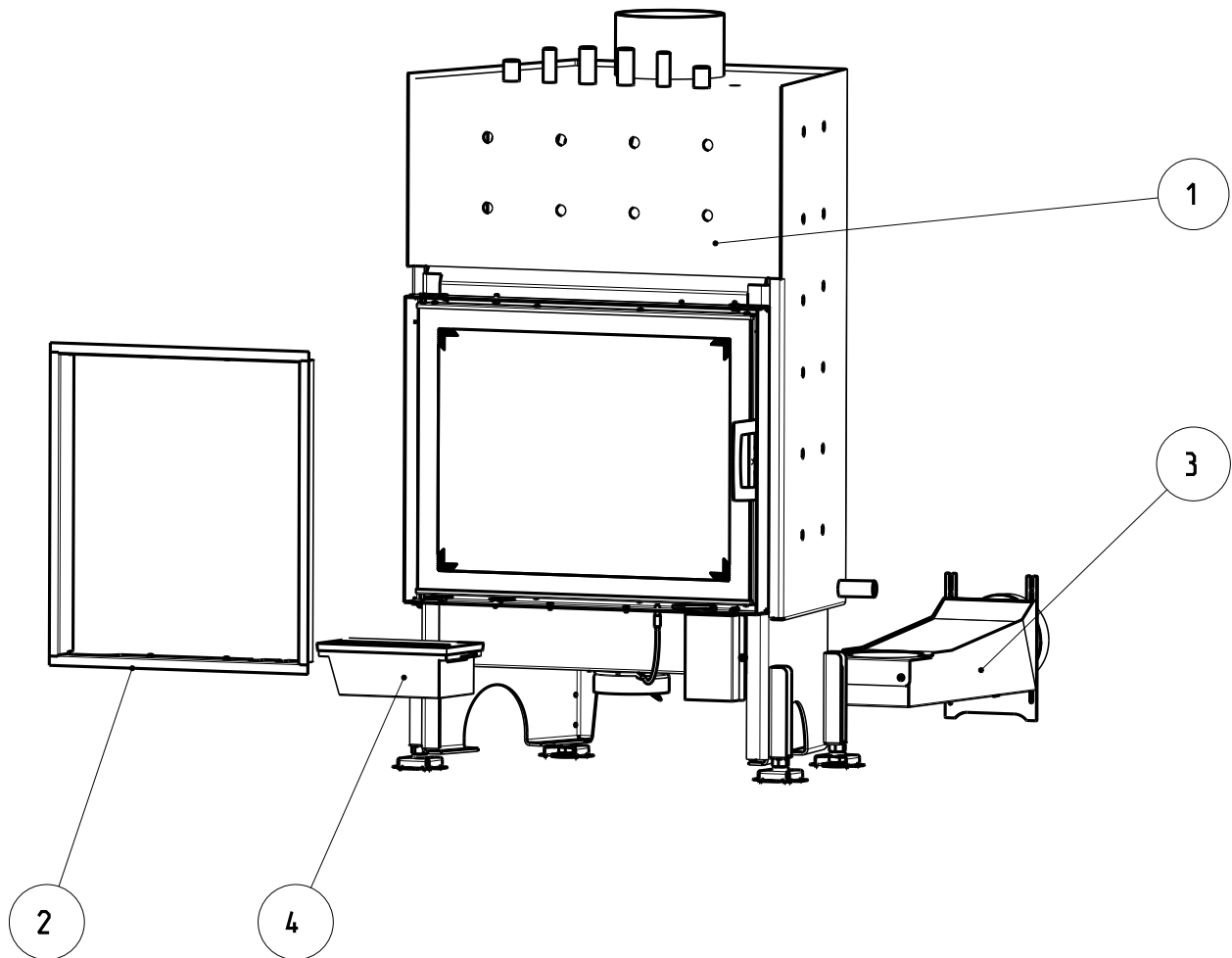
18.3 What to do in the event of defects

If any defects occur in the fireplace insert, your retailer will need the following information:

- Serial number and appliance type according to the type plate
- The original invoice (date of sale)

19 Accessories

Have defective parts (accessories, spare parts) replaced by your specialist stove dealer. This guarantees that your fireplace insert is and remains safe and functional.



Item no.	Quantity	Article	Article no.
1	1	Basic appliance	362001
2	1	Design frame, complete	361009-xx
3	1	Flat elbow, complete	350200
4	1	Ash box set	350035

20 Spare parts

To order spare parts, please contact your Austroflamm dealer.

For ordering spare parts, it is necessary to provide the type plate picture or data from the type plate of your fireplace insert. This guarantees proper spare parts for your specific fireplace insert.

21 Dismantling

For correct uninstallation and dismantling of the fireplace insert, contact your Austroflamm specialist dealer.

22 Disposal

NOTICE

To dispose of the stove properly, get in touch with the local (possibly municipal) waste disposal company.

NOTICE

We recommend that you remove those components of the stove which have been in contact with fire such as window, combustion chamber, grates, firebox lining (Keramott), ceramic, sensors and baffle plates and dispose of them in the household waste.

NOTICE

For correct uninstallation and dismantling of the stove, contact your Austroflamm specialist dealer.

Electric and electronic components

Remove the electric and electronic components from the appliance by dismantling them. These components must not be disposed of via non-recyclable waste. Disposal should be carried out professionally via the electrical and electronic waste return system.

Keramott

Remove Keramott components. If present, fastening elements must be removed beforehand. Keramott components that have been in contact with fire or flue gas must be disposed of. Reuse or recycling is not possible. Local disposal options must be observed.

Steel sheet

Disassemble steel-sheet components of the appliance by mechanical crushing. If present, remove seals beforehand. Dispose of steel sheet parts as metal scrap. Local disposal options must be observed.

Cast iron

Disassemble cast-iron components of the appliance by unscrewing or flexing them from one another, or alternatively by mechanical crushing. If present, remove seals beforehand. Dispose of the cast-iron parts as metal scrap. Local disposal options must be observed.

Natural stone

Mechanically remove any natural stone present from the appliance and dispose of it as construction waste. Local disposal options must be observed.

Fittings etc. (for water-carrying appliances)

Disassemble the components for carrying water by unscrewing and removing them and dispose of them as metal scrap. Local disposal options must be observed.

Seals (glass fibre)

Mechanically remove the seals from the appliance. These components must not be disposed of via non-recyclable waste, as glass fibre waste cannot be destroyed through burning. Dispose of seals as glass- and ceramic fibre waste (artificial mineral fibres (AMF)). Local disposal options must be observed.

Handles and decorative elements made of metal

If present, disassemble or remove handles and decorative elements made of metal and dispose of as metal scrap. Local disposal options must be observed.

23 Guarantee and warranty

- 1) **Warranty statement:** For your AUSTROFLAMM fireplace insert, we guarantee the flawless performance of the body for six years, and of all other steel and cast iron components for two years from the date of first sale.

Steel and cast-iron parts that manifest material- and or processing defects during the guarantee period (warranty case) will be replaced for new parts provided that the warranty case has been asserted to the best of the holder's knowledge within the statutory warranty period. Functional problems with electronic accessories (e.g. Insert Control automatic air control) shall only justify a warranty claim for the particular accessory.

Our warranty only covers the free delivery of the new parts: work- and travel times are not recorded.

- 2) **Exceptions:** We do not provide a guarantee on wear parts (e.g. Keramott, seals and grate), surface coatings, varnish, glass and ceramics. In the case of such defects no warranty case has occurred .

When heating up, during operation and when cooling down, your fireplace insert may produce some noise (crackling, soft clicking). This is caused by the various materials expanding and contracting under the influence of temperature in your fireplace insert. Noise of this kind does not constitute a warranty claim and do not constitute a warranty claim.

The territorial scope of validity of our guarantee covers Austria and Germany. In all other countries, separate conditions of the importer apply to the respective country.

No warranty case occurs if your Austroflamm fireplace insert is not located within the territorial scope of validity, which does not change if it is transported or dispatched by Austroflamm."

- 3) **Requirements:** A warranty case shall only then be replaceable if your Austroflamm fireplace insert has been operated, maintained, installed and commissioned by a specialist authorized by Austroflamm, all in compliance with the user handbook. For the replaceability of the warranty case the start-up log must be received by Austroflamm within one month at the latest of the initial commissioning. In order to make a claim on the warranty, repairs to your fireplace insert must only be carried out by a service engineer authorized by Austroflamm.

The warranty claim is asserted with the invoice and serial number with the Austroflamm specialist dealer via whom the purchase was made. An unjustified warranty claim will be charged back to you.

- 4) **Guarantee:** This guarantee does not affect your statutory warranty rights towards us. Should your Austroflamm fireplace insert already be defective at the point of handover, you can always connect us within the framework of the statutory warrant regardless of whether there is a warranty claim or the guarantee is claimed.

24 Start up log

Operator / Customer	Dealer / Engineer
Name	Company
Street	Street
Town and postal code	Town and postal code
Telephone	Telephone
Email	Email

Fireplace insert	Working	Comments
Model		
Serial number		
Technology		
Visuals		
Accessories		

On-site conditions	
Type of chimney <input type="checkbox"/> brick <input type="checkbox"/> stainless steel <input type="checkbox"/> firebrick	Flue pipe diameter:
Chimney diameter:	Draft: Actual value: Target value: >12 Pa
Chimney height:	Outside temperature during draft measurement:
Controlled living space ventilation <input type="checkbox"/> yes <input type="checkbox"/> no	External air supply conduit <input type="checkbox"/> yes <input type="checkbox"/> no

Instructions for Operator / Customer			
Instructions for handling the appliance explained clearly and comprehensibly		Appliance test heated together with the customer	
Terms of the guarantee and warranty explained <input type="checkbox"/> glove <input type="checkbox"/> user instructions handed over		Cleaning and maintenance interval explained	

The customer confirms that the fireplace insert has been handed over in a fully functional state and free of defects.

Place, date

Signature Operator / Customer

Signature Technician

25 Service Report

Date	Technicians	Notes	Work carried out, replacement parts installed

AUSTROFLAMM GMBH
Austroflamm-Platz 1
A- 4631 Krenglbach

Tel: +43 (0) 7249 / 46 443
www.austroflamm.com
info@austroflamm.com

362001 - 945046

