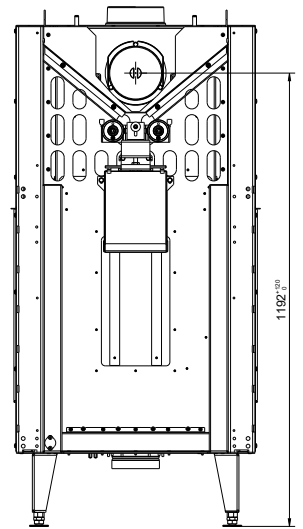
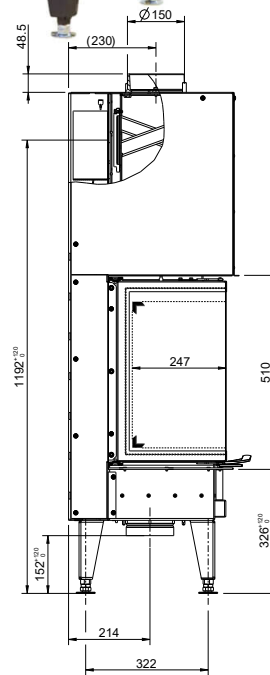
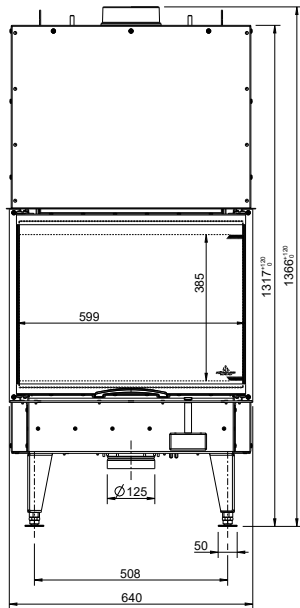
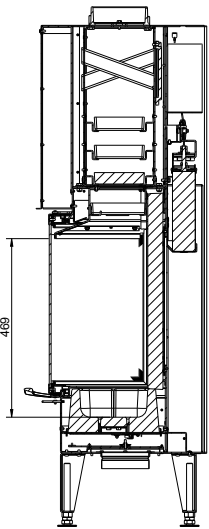


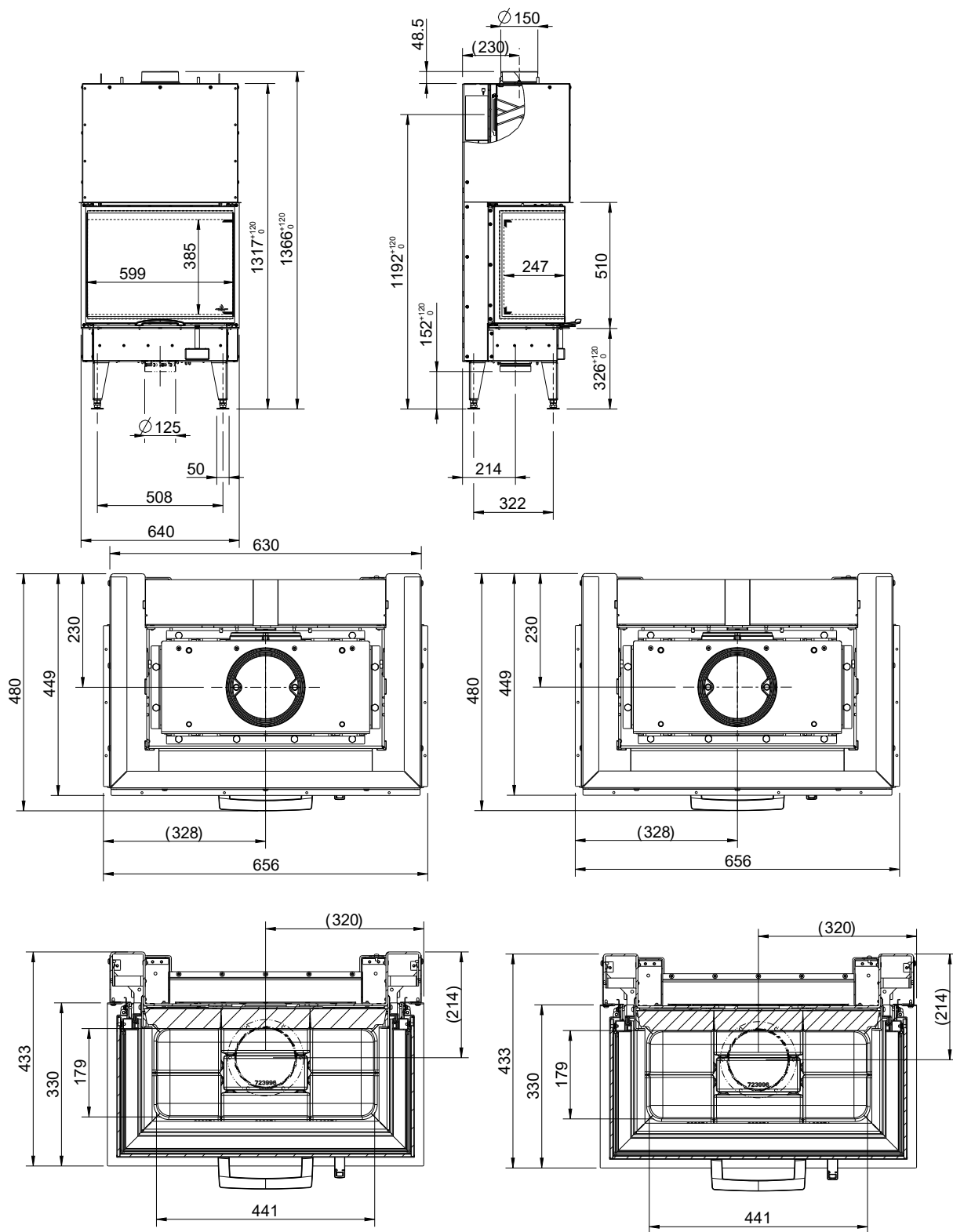
# 64X33X51-S3



## AUSTROFLAMM



# 64X33X51-S3



- not available

### Dimensions and weight

|                                                         |                   |
|---------------------------------------------------------|-------------------|
| Height from [mm]                                        | 1366              |
| Height to [mm]                                          | 1486              |
| Width (body installation dimension) [mm]                | 640               |
| Depth [mm]                                              | 449               |
| Door frame height [mm]                                  | 510               |
| Door frame width [mm]                                   | 656               |
| Weight [kg]                                             | 185               |
| Weight Xtra [kg]                                        | -                 |
| Weight, HMS [kg]                                        | -                 |
| Flue pipe outlet, diameter [mm]                         | 150               |
| dR Distance rear [mm]                                   | 0                 |
| dS1 Distance left [mm]                                  | 600               |
| dS2 Distance right [mm]                                 | 600               |
| dP Radiation front [mm]                                 | 1000              |
| dF Radiation to the floor [mm]                          | under examination |
| dB Distance bottom [mm]                                 | 205               |
| dL 1 Radiation left [mm]                                | under examination |
| dL 2 Radiation right [mm]                               | under examination |
| Safety distance to insulation, rear [mm]                | 60                |
| Safety distance to insulation, right [mm]               | -                 |
| Safety distance to insulation, floor [mm]               | 0                 |
| Insulation material thickness to installation base [mm] | 0                 |
| Insulation material thickness to ceiling [mm]           | 120               |
| Insulation material, left [mm]                          | 0                 |
| Insulation material thickness, right [mm]               | 0                 |
| Insulation material, rear [mm]                          | 60                |
| Cross-section, convection outlet [cm <sup>2</sup> ]     | 700               |
| Cross-section, convection inlet [cm <sup>2</sup> ]      | 700               |
| Max. amount of firewood fuel to be deposited [kg]       | 3.0               |

### Output

|                                                                                      |       |
|--------------------------------------------------------------------------------------|-------|
| Nominal heat efficiency [kW]                                                         | 10.0  |
| Minimum heat output [kW]                                                             | 5.0   |
| Maximum heat output [kW]                                                             | 14.0  |
| Energy efficiency class                                                              | A     |
| Circulating air cross-section with metal heat recovery surface [cm <sup>2</sup> ]    | 700   |
| Circulating air cross-section without metal heat recovery surface [cm <sup>2</sup> ] | 700   |
| Nominal water heat output [kW]                                                       | -     |
| Combustion air requirement [m <sup>3</sup> /h]                                       | 38.40 |
| Minimum fuel throughput [kg/h]                                                       | -     |
| Maximum fuel throughput [kg/h]                                                       | 4.1   |
| Outside air connection diameter [Ø mm]                                               | 125   |

### Equipment

|                                                    |     |
|----------------------------------------------------|-----|
| Hinged door                                        | No  |
| Sliding door                                       | Yes |
| Double pane                                        | No  |
| Hypocaust in compliance with technical regulations | Yes |

### Data for the chimney sweep

|                                                       |       |
|-------------------------------------------------------|-------|
| Exhaust gas mass flow [g/s]                           | 11.86 |
| Flue gas temperature [°C]                             | 261   |
| Minimum delivery pressure at nominal heat output [Pa] | 12    |

- not available