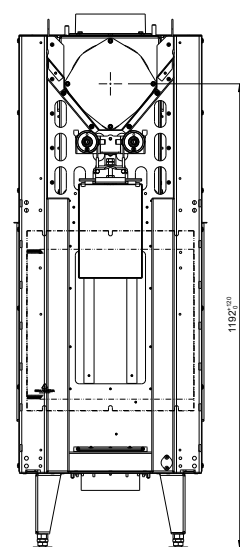
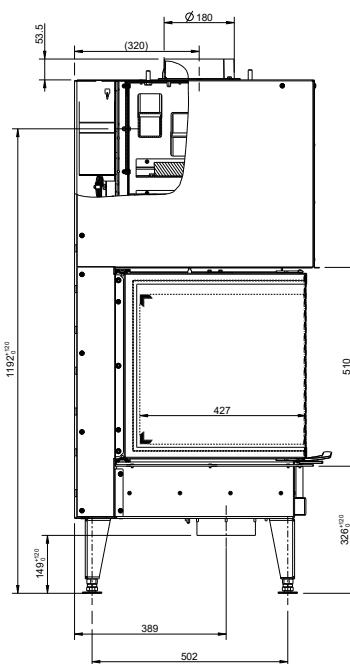
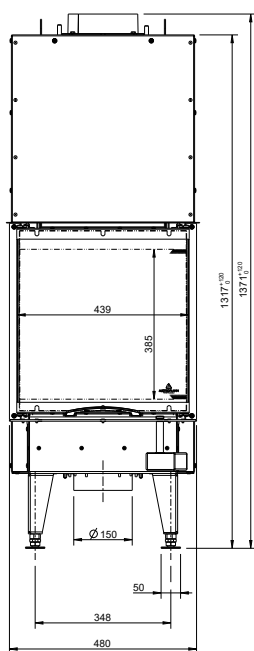
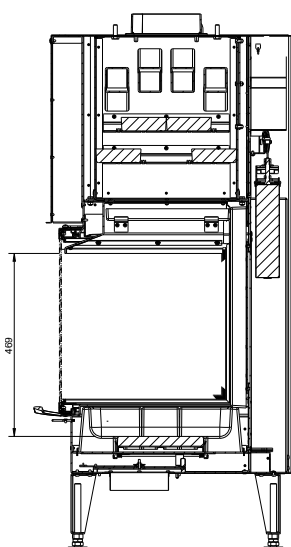


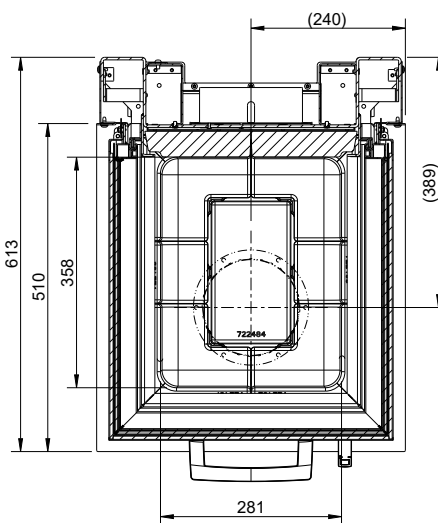
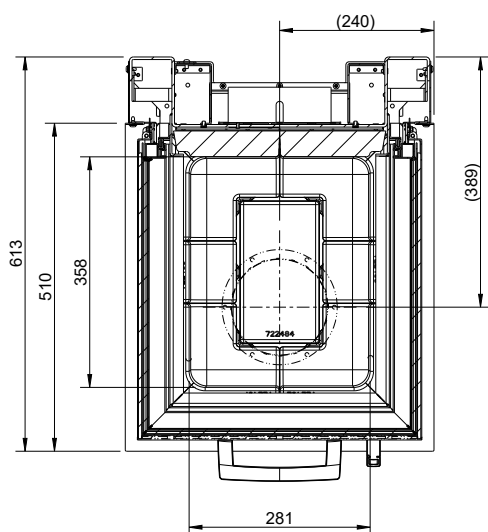
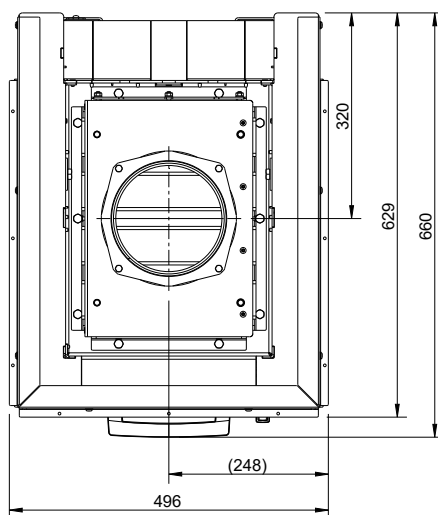
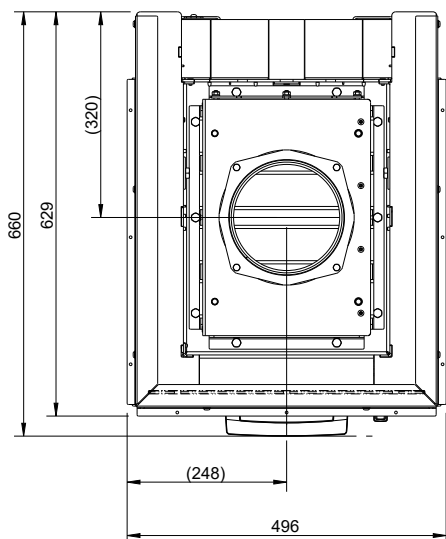
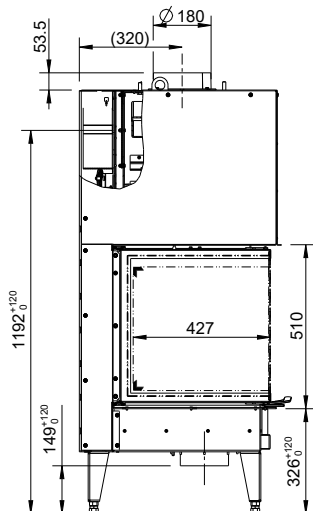
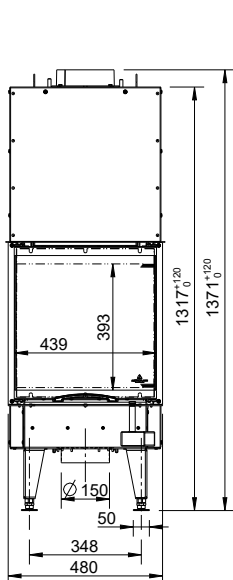
48X51X51-S3



AUSTROFLAMM



48X51X51-S3



- not available

Dimensions and weight	
Height from [mm]	1371
Height to [mm]	1491
Width (body installation dimension) [mm]	480
Depth [mm]	660
Door frame height [mm]	510
Door frame width [mm]	496
Weight [kg]	191
Weight Xtra [kg]	-
Weight, HMS [kg]	-
Flue pipe outlet, diameter [mm]	180
dR Distance rear [mm]	0
dS1 Distance left [mm]	1000
dS2 Distance right [mm]	1000
dP Radiation front [mm]	800
dF Radiation to the floor [mm]	under examination
dB Distance bottom [mm]	195
dL 1 Radiation left [mm]	under examination
dL 2 Radiation right [mm]	under examination
Safety distance to insulation, rear [mm]	60
Safety distance to insulation, right [mm]	-
Safety distance to insulation, floor [mm]	-
Insulation material thickness to installation base [mm]	0
Insulation material thickness to ceiling [mm]	120
Insulation material, left [mm]	-
Insulation material thickness, right [mm]	-
Insulation material, rear [mm]	60
Cross-section, convection outlet [cm ²]	720
Cross-section, convection inlet [cm ²]	710
Max. amount of firewood fuel to be deposited [kg]	3.0
Output	
Nominal heat efficiency [kW]	10.0
Minimum heat output [kW]	5.0
Maximum heat output [kW]	14.0
Energy efficiency class	A+
Circulating air cross-section with metal heat recovery surface [cm ²]	710
Circulating air cross-section without metal heat recovery surface [cm ²]	710
Nominal water heat output [kW]	-
Combustion air requirement [m ³ /h]	38.40
Minimum fuel throughput [kg/h]	1.5
Maximum fuel throughput [kg/h]	2.9
Outside air connection diameter [Ø mm]	150
Equipment	
Hinged door	No
Sliding door	Yes
Double pane	No
Hypocaust in compliance with technical regulations	Yes
Data for the chimney sweep	
Exhaust gas mass flow [g/s]	11.96
Flue gas temperature [°C]	231
Minimum delivery pressure at nominal heat output [Pa]	12

- not available